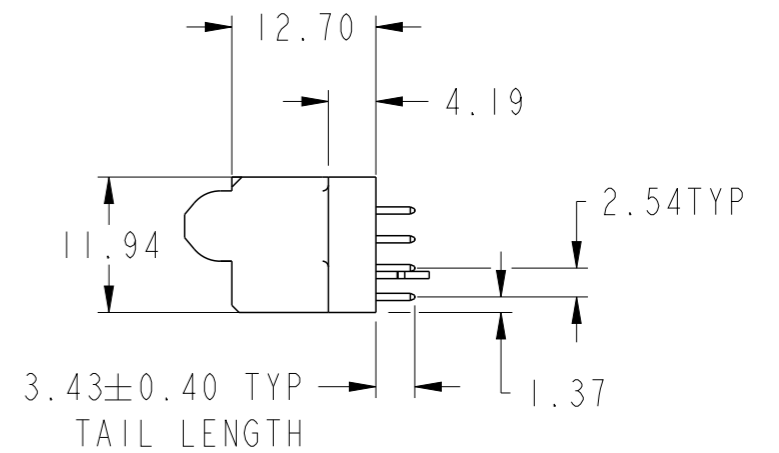
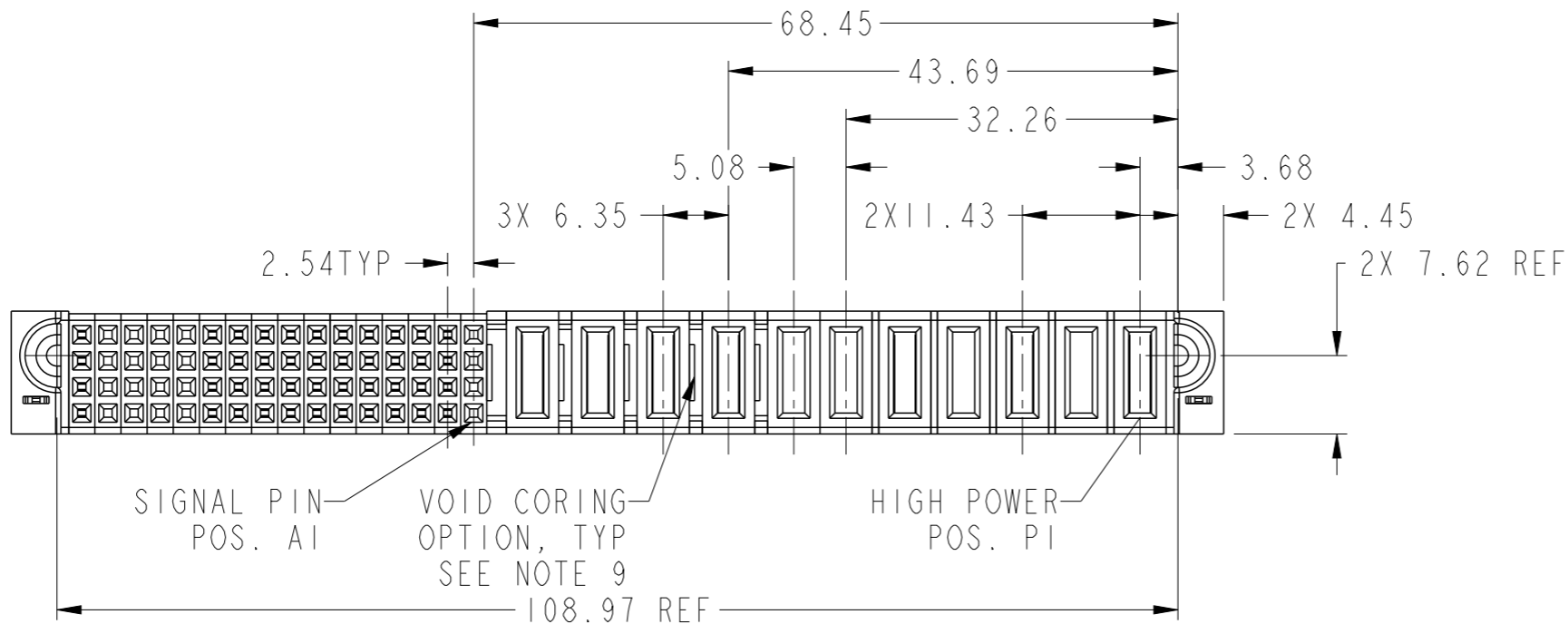
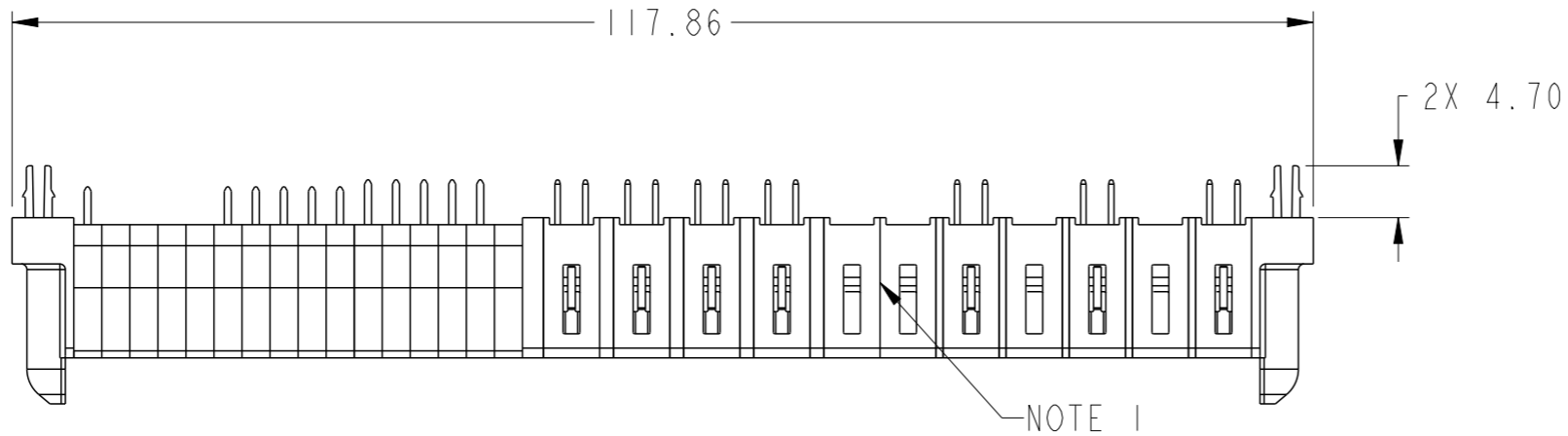
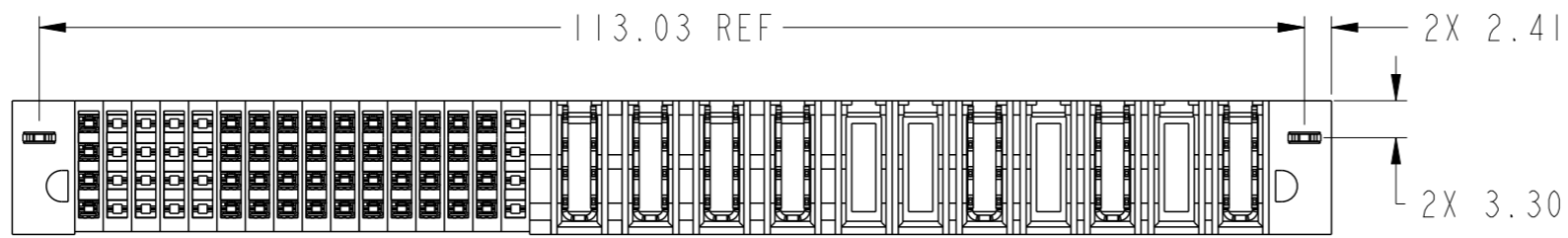


PRODUCT NUMBER SEE SHEET 2



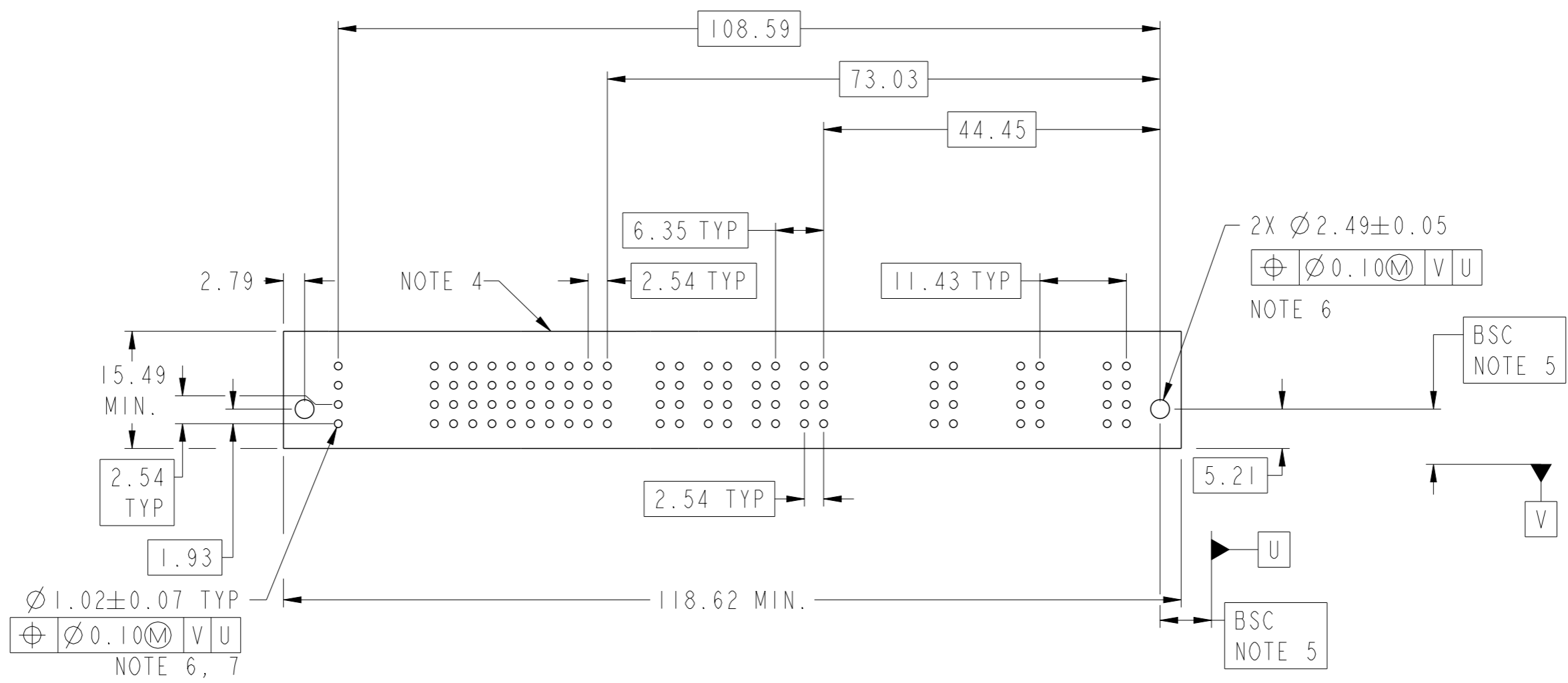
spec ref		dr	Peng-Bing Fu	2013/02/21	projection	MM	size	A3	scale	3:2	
tolerance std		eng	Xie Bob	2013/08/12			ecn no		-		
ASME Y14.5		chr	Li-He	2013/08/12			rel level		Released		
TOLERANCES UNLESS OTHERWISE SPECIFIED		appr	Pei-Ming Zheng	2013/08/12	product family		PowerBlade+		rev		
surface		linear	0.X	±0.50		part no		5P+2HDP+4P+64S		dwg no 10106268-B016002	rev A
			0.XX	±0.25		VT STB RECEPTACLE					
ASME Y14.5		angular	0°	±2°	www.fci.com	cat. no.		Product - Customer Drw		sheet 1 of 3	



Copyright FCI.

PRODUCT NO.	ROWS	SIGNAL																HIGH POWER												
		E1	16	15	14	13	12	11	10	9	8	7	6	5	4	3	2	1	P11	P10	P9	P8	P7	P6	P5	P4	P3	P2	P1	E2
10106268-B016002LF	DCBA	HA	E	X	X	X	X	E	E	E	E	E	E	E	E	E	E	X	H3	H3	H3	H3	X	X	H3	X	H3	X	H3	HA

CODE	DESCRIPTION
E	STD SIGNAL CONTACT
H3	STD HIGH POWER CONTACT (3.43)
HA	METAL HOLD DOWN
X	omitted



dr	Peng-Bing Fu	2013/02/21	projection	MM	size	A3	scale	3:2		
eng	Xie Bob	2013/08/12			ecn no	-	rel level	Released		
chr	Li-He	2013/08/12								
appr	Pei-Ming Zheng	2013/08/12	product family	PowerBlade+						
			5P+2HDP+4P+64S			cat. no.		10106268-B016002	rev	A
www.fci.com			VT STB RECEPTACLE			Product - Customer Drw		sheet 2 of 3		

Copyright FCI.

1

2

3

4

A

B

C

D

A

B

C

D

NOTES:

- 1) "FCI", PART NUMBER AND DATE CODE TO BE MARKED ON THIS SURFACE.
THE MARK CAN BE OMITTED IF THERE IS NOT ENOUGH SPACE ON THIS SURFACE.
- 2) MATERIALS:
-HOUSING - GLASS FILLED WITH HIGH TEMP THERMOPLASTIC, UL94V-0.
-SIGNAL CONTACT - COPPER ALLOY.
-POWER CONTACT - HIGH CONDUCTIVITY COPPER ALLOY.
- 3) PLATING SPECIFICATION REFER TO FCI 10116351
- 4) DENOTES CONNECTOR KEEP OUT ZONE.
- 5) DATUM AND BASIC DIMENIONS WERE ESTABLISHED BY CUSTOMER.
- 6) ALL HOLE DIAMETERS ARE FINISHED HOLE SIZES.
- 7) 1.15 ± 0.025MM DRILLED HOLE PLATED WITH 0.00762MM MIN Sn
OVER 0.0254-0.0762MM Cu PLATING TO ACHIEVE A 1.02 ± 0.07MM HOLE.
- 8) PRODUCT SPECIFICATION REFER TO FCI GS-12-658.
APPLICATION SPECIFICATION REFER TO FCI GS-20-141.
PRODUCT PACKAGED IN TRAYS, REFER TO FCI GS-14-1502.
- 9) THE VOID CORING IN BETWEEN POWER MODULES, SIGNAL
MODULES AND END MODULES ARE OPTIONAL AND THE SHAPE
MAY BE DIFFERENT FOR OPTIMIZE THE MOLDING PROCESS. THE
VOID CORING WILL NOT EFFECT TO PRODUCT FUNCTION.



Copyright FCI.

dr	Peng-Bing Fu	2013/02/21	projection 	MM ←→	size	A3	scale	1:1	
eng	Xie Bob	2013/08/12			ecn no	-			
chr	Li-He	2013/08/12			rel level	Released			
appr	Pei-Ming Zheng	2013/08/12	product family	PowerBlade+					
		5P+2HDP+4P+64S			dwg no	10106268-B016002		rev	A
www.fci.com		cat. no.	Product - Customer Drw		sheet 3 of 3				

2

3