



# ILSU series

## Submersible Level Transmitter



- **Stainless steel, piezo-resistive sensor**
- **Accuracy: <0.1% FS BFSL**
- **Depth ranges from 0-48" (0-4ft) to 0-3600" (0-300ft) WG**
- **Various cable lengths**

### Suitable applications

River level  
Reservoir level  
Tank level  
Borehole level  
Aquifer level  
Environmental monitoring  
V-notch weir flow measurement

### Performance

Accuracy (Non-Linearity & Hysteresis) <math>\lt; \pm 0.1\% / FS (BFSL)</math>  
Setting Errors (offsets) Zero & Full Scale, <math>\lt; \pm 0.5\% / FS</math>  
Permissible Load  $R_{max} = [(Voltage\ Supply - 9) / 0.02] Ohms</math>  
Influence Effects Supply <math>\lt; 0.005\% FS / 1V</math>  
Load 0.05% FSO / kOhm$

### Input Pressure Range

Nominal Pressure, Gauge	inchWG	40	100	200	400	800	1000	4000
Permissible Overpressure	inchWG	800	800	1000	1000	1000	2000	2000

### Output Signals and Supply Voltages

Wire system Output	Supply Voltage	Connection	PUR sheath
2-wire 4-20mA	9-32Vdc	+ve Supply	Wire Colours
		-ve Supply	Red
		Ground	Blue
		Cable Screen	White
			Green

The ILSU is designed for use in continuous submersion in liquids such as water, oil and other non-aggressive chemicals. The submersible uses the latest piezo-resistive media-isolated silicon sensing technology and a stainless steel diaphragm within a 316L stainless steel housing.

It offers excellent stability, repeatability and resolution, as required for use in rivers and reservoirs. This submersible level transmitter is the ideal product for reliable and repeatable hydrostatic level measurement.

The electronics incorporate a microprocessor based amplifier, requiring no adjusting and giving stable electronics.

Each device is temperature compensated, calibrated and supplied with a traceable serial number and calibration certificate.

Custom versions can be made for particular applications.

Cynergy3 Components Ltd.  
7 Cobham Road  
Ferndown Industrial Estate  
Wimborne, Dorset BH21 7PE  
Telephone +44 (0) 1202 897969  
Email: [sales@cynergy3.com](mailto:sales@cynergy3.com)  
Web: [www.cynergy3.com](http://www.cynergy3.com)

ISO9001 CERTIFIED

ILSU 2015

© 2015 Cynergy3 Components, All Rights Reserved. Specifications are subject to change without prior notice. Cynergy3 Components and the Cynergy3 Components logo are trademarks of Cynergy3 Components Limited.

[www.cynergy3.com](http://www.cynergy3.com)



# ILSU series

## Submersible Level Transmitter

### Electrical Protection

Supply reverse polarity protection	No damage/no function
Lightning protection	Internally fitted
Electromagnetic compatibility	CE Compliant

### Mechanical Stability

Shock	100g / 11ms
Vibration	10g RMS (20 - 2000Hz)

### Temperature & Thermal Effects

Media temperature	-20°C (Non-freezing) to +60°C
Storage temperature	-20°C to +70°C
Compensated temperature range	20°C±25°C
Thermal zero shift (TZS)	<±0.02%/FS/°C
Thermal span shift (TSS)	<±0.01%/°C

### Material Specifications

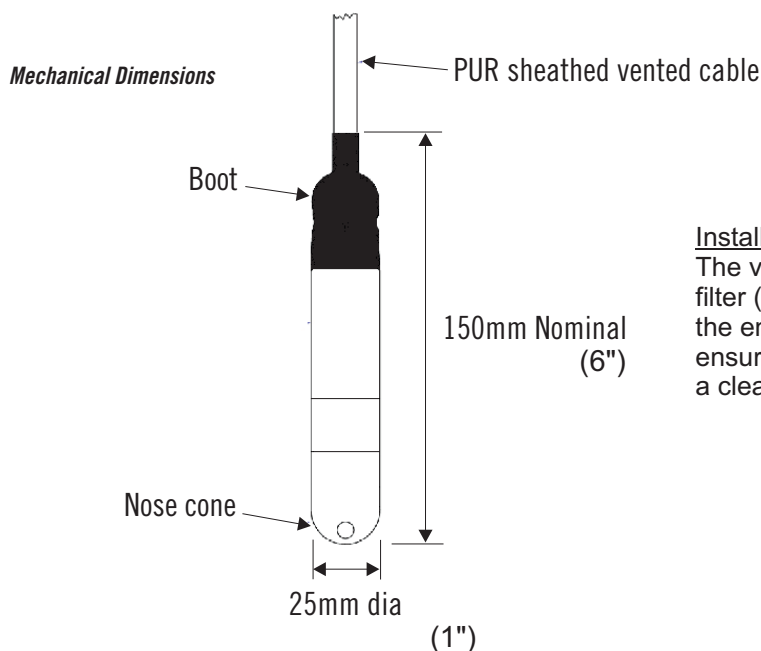
Housing	316L Stainless Steel
"O" ring seals	Viton
Diaphragm	316L Stainless Steel
Cable sheath material	PUR
Media wetted parts	Housing, "O" ring seal, diaphragm & cable sheath

### Miscellaneous

Weight	Transmitter: approx 9oz (250g) Cable: 1.7oz (48g) per yard (metre)
Current consumption	Limits at 28mA
Installation position	Any, small zero shift when tilted through 90°
Operational life	> 100x 10 <sup>6</sup> cycles

Part No	Pressure Range	Cable Length	Output
ILSU-Gi048-003	0-48" WG	10ft	4-20mA
ILSU-Gi120-005	0-120" WG	16ft	4-20mA
ILSU-Gi240-008	0-240" WG	26ft	4-20mA
ILSU-Gi360-016	0-360" WG	52ft	4-20mA
ILSU-Gi720-025	0-720" WG	82ft	4-20mA
ILSU-Gi1K8-060	0-1800" WG	196ft	4-20mA
ILSU-Gi3K6-110	0-3600" WG	360ft	4-20mA

(Custom ranges and outputs available on request)



### Installation Note.

The vented cable is fitted with a filter (shown below) to prevent the entry of moisture. If removed, ensure vent tube is positioned in a clean, dry area.

