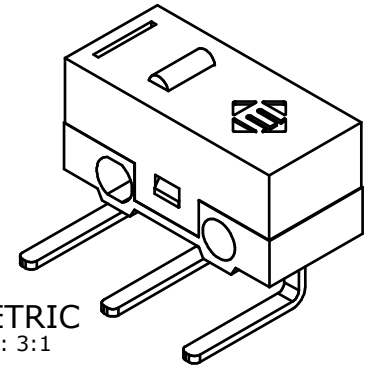
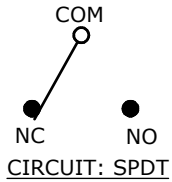


E-SWITCH LOGO LOCATION

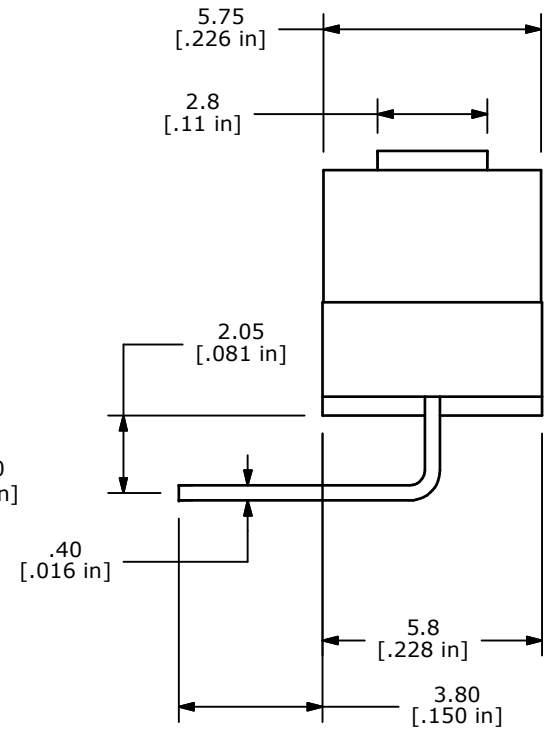
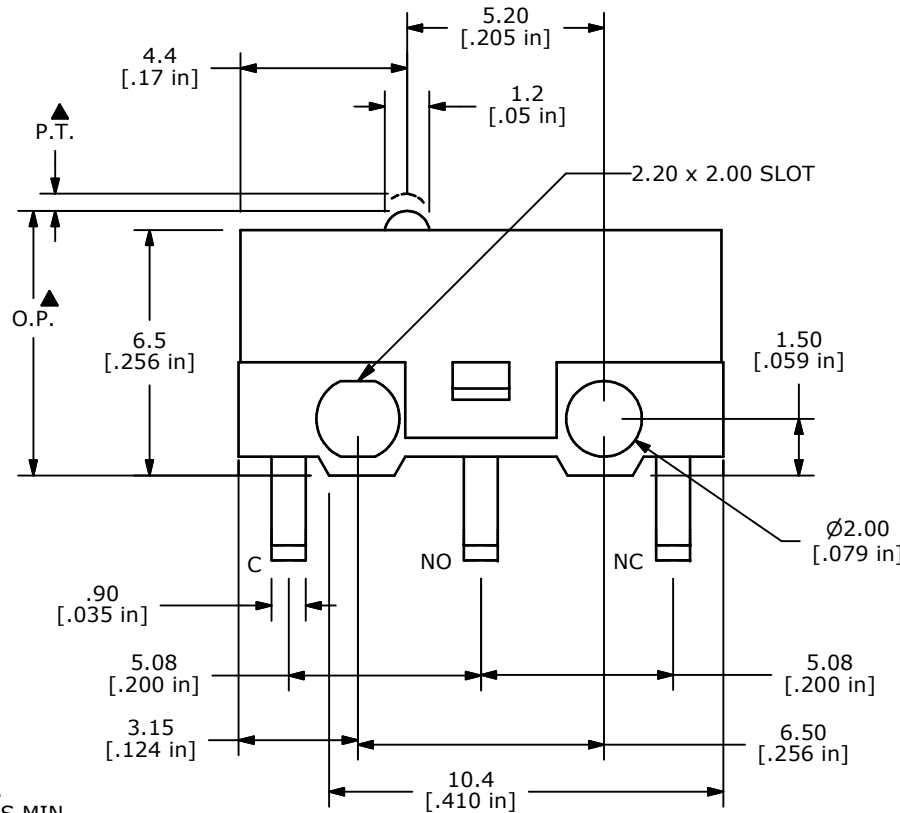


ISOMETRIC
SCALE: 3:1



O.P. (MM)	P.T. (MM)
7.0 ±0.2	.35 MAX.

O.P. = OPERATING POINT
P.T. = PRE-TRAVEL



- NOTES:
- ALL DIMENSIONS IN MM [INCH]
 - GENERAL TOLERANCE: X.X=±0.4
X.XX=±0.25
 - RATING: 3A @ 125 VAC UL
1.5A @ 250 VAC UL
 - OPERATING FORCE: 130 ± 40 GRAMS
 - OPERATING TEMP: -25°C TO 75°C
 - ELECTRICAL LIFE: 10,000 CYCLES MIN.
 - MECHANICAL LIFE: 1,000,000 CYCLES MIN.
 - INSULATION RESISTANCE: 100 MEGA-OHMS MIN.
 - DIELECTRIC STRENGTH: 1000VAC - 1 MINUTE
 - ▲ DENOTES CRITICAL PARAMETER.
 - PACKAGED IN TRAYS, 200 PIECES PER TRAY.
 - 2002/95/EC (ROHS) COMPLIANT



TITLE SS0750300F130V1A

A	18425	RELEASE FOR PRODUCTION	3/6/09	BLR
REV	PCR NO	DESCRIPTION	DATE	BY

THE INFORMATION CONTAINED IN THIS DOCUMENT IS PROPRIETARY TO E-SWITCH AND IS NOT TO BE COPIED OR TRANSFERRED

SCALE	DATE	DR	DWG	REV
4:1	3/6/2009	BLR	Q971025	A