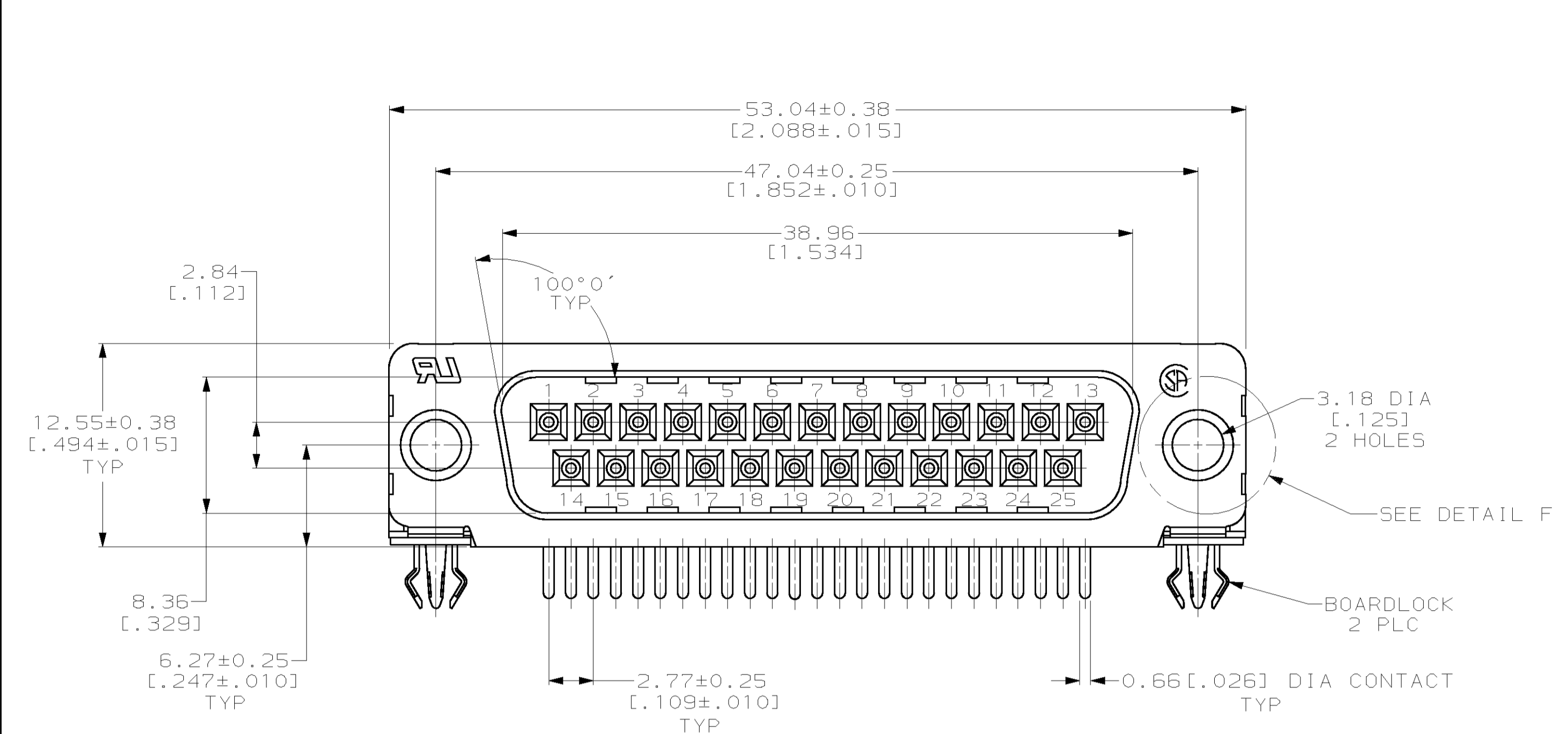
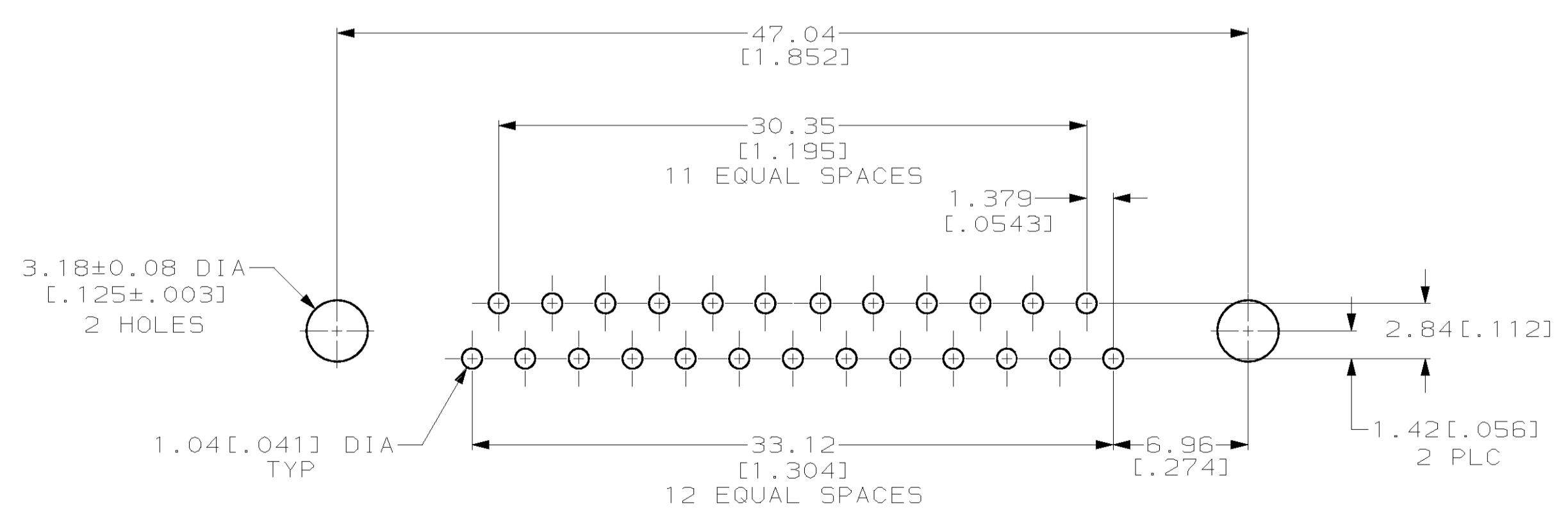
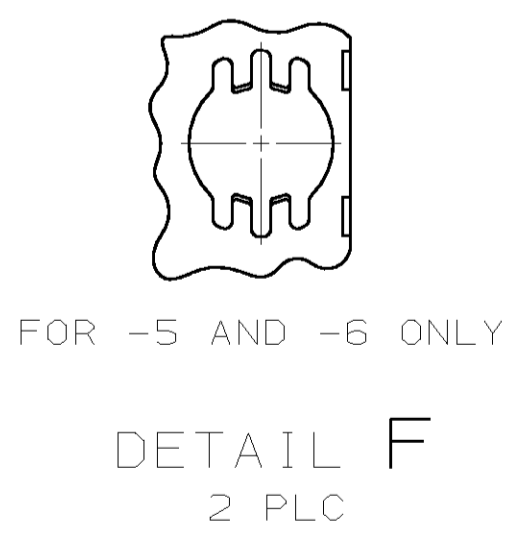
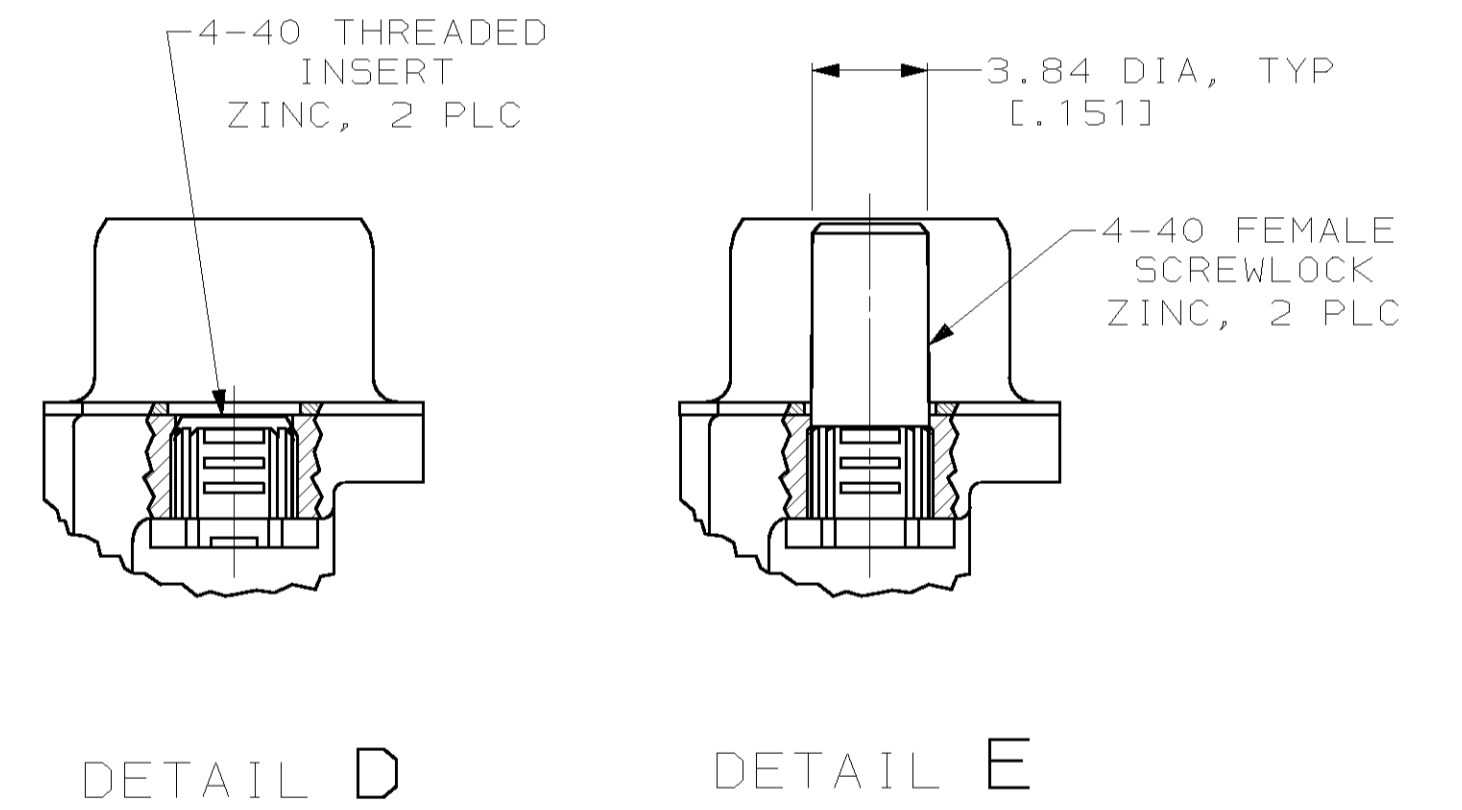
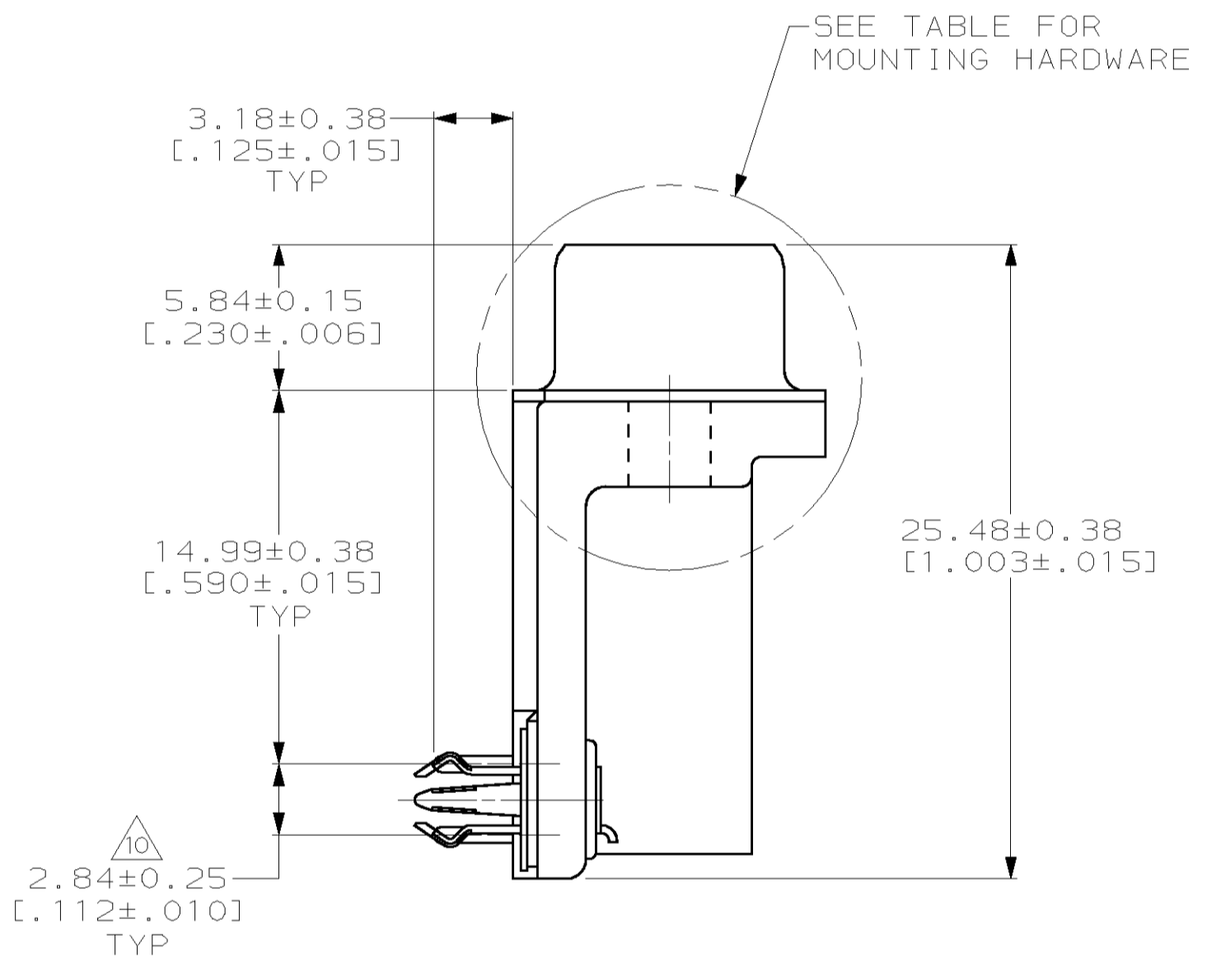
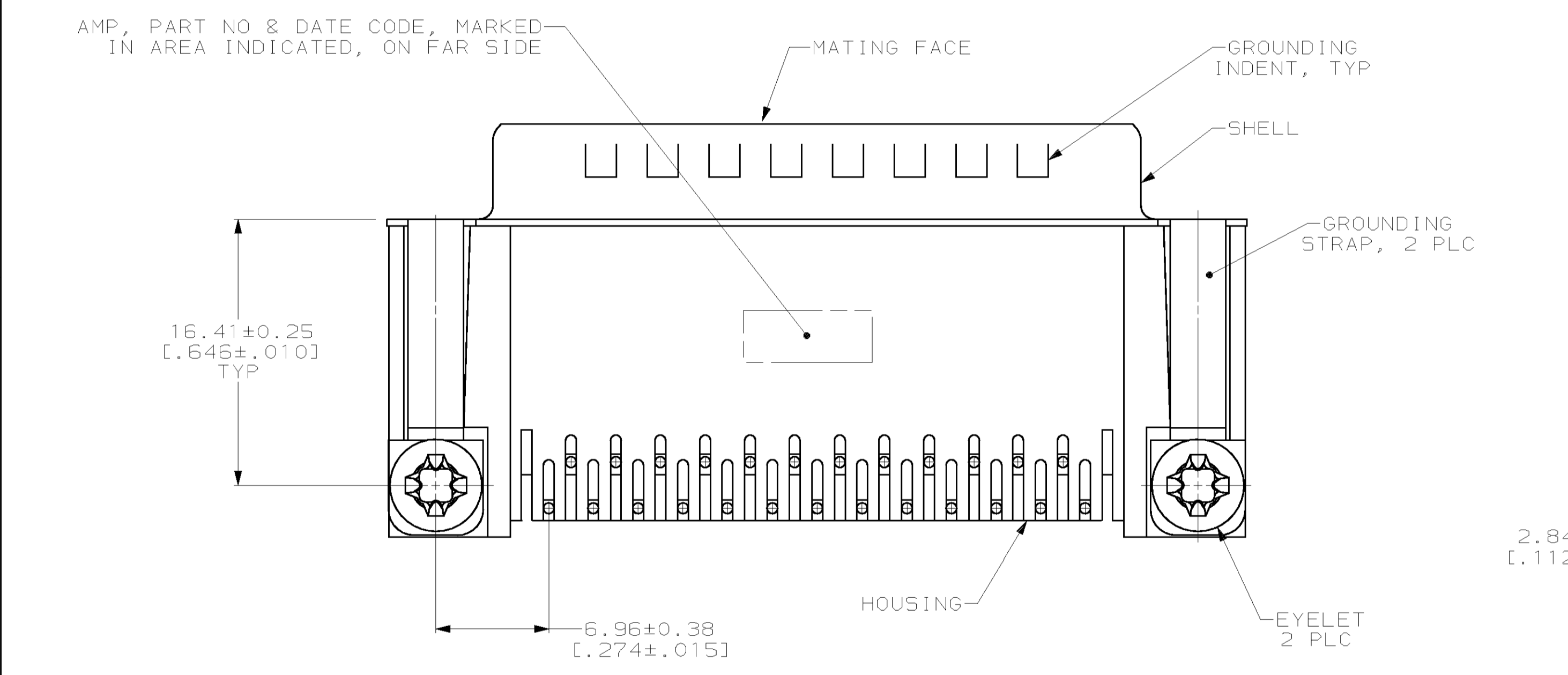


LOC	DIST	REVISIONS			
F	CHR	DESCRIPTION	DATE	OWN	APVD
T	REV PER EC	0640-0285-99	15FEB00	DD	KB



- ① NYLON OR POLYESTER, FLAME RETARDANT, UL 94V-0 RATED, GLASS FILLED, BLACK.
- ② BRASS PER MIL-C-50.
- ③ CARBON STEEL PER ASTM A109.
- ④ EYELETS: BRASS; BOARDLOCKS: COPPER ALLOY.
- ⑤ GOLD PLATING PER MIL-G-45204, NICKEL PLATING PER QQ-N-290, TIN PLATING PER MIL-T-10727; COPPER PLATING PER MIL-C-14550.
- ⑥ 2.54µm [0.000100] MIN TIN OVER 1.27µm [0.000050] MIN COPPER.
- ⑦ EYELETS: 5.08µm [0.000200] MIN TIN OVER COPPER FLASH. BOARDLOCKS: 5.08µm [0.000200] MIN TIN-LEAD OVER 1.27µm [0.000050] MIN NICKEL.
- ⑧ GOLD FLASH FOR A LENGTH OF 3.81 [0.150] MIN FROM MATING END, 2.54µm [0.000100] MIN TIN OR TIN-LEAD FOR A LENGTH OF 3.56 [0.140] MIN FROM OPPOSITE END, BOTH OVER 1.27µm [0.000050] MIN NICKEL.
- ⑨ GOLD PLATED FOR A LENGTH OF 3.81 [0.150] MIN FROM MATING END, 0.76µm [0.000030] MIN GOLD IN MATED AREA, 2.54µm [0.000100] MIN TIN OR TIN-LEAD FOR A LENGTH OF 3.56 [0.140] MIN FROM OPPOSITE END, BOTH OVER 1.27µm [0.000050] MIN NICKEL.
- ⑩ DIMENSION APPLIES FROM CENTER OF CONTACT.



RECOMMENDED P.C. BOARD MOUNTING DIMENSIONS
 P.C. BOARD THICKNESS: 1.57 [0.062]

SUPSD BY 747829-4	SEE DETAIL E	⑨	747829-6
OBSOLETE	SEE DETAIL E	⑧	747829-5
	SEE DETAIL D	⑧	747829-4
SUPSD BY 747829-4	SEE DETAIL D	⑧	747829-3
OBSOLETE	-	⑧	747829-2
OBSOLETE	-	⑧	747829-1
	MOUNTING HARDWARE	CONTACT FINISH	PART NUMBER

DIMENSIONS		TOLERANCES UNLESS OTHERWISE SPECIFIED		MATERIAL	
mm [INCHES]		0 PLC	±	HOUSING, ①	NYLON OR POLYESTER, FLAME RETARDANT, UL 94V-0 RATED, GLASS FILLED, BLACK.
		1 PLC	±	CONTACTS, ④	BRASS PER MIL-C-50.
		2 PLC	±	SHELL, ①	CARBON STEEL PER ASTM A109.
		3 PLC	±0.13 [0.005]	HARDWARE, ②	EYELETS: BRASS; BOARDLOCKS: COPPER ALLOY.
		4 PLC	±	INSERTS: CLEAR CHROMATE SCREWLOCKS, CLEAR CHROMATE	GOLD PLATING PER MIL-G-45204, NICKEL PLATING PER QQ-N-290, TIN PLATING PER MIL-T-10727; COPPER PLATING PER MIL-C-14550.
		ANGLES	42°±0°		2.54µm [0.000100] MIN TIN OVER 1.27µm [0.000050] MIN COPPER.
		FINISH	SEE TABLE		EYELETS: 5.08µm [0.000200] MIN TIN OVER COPPER FLASH. BOARDLOCKS: 5.08µm [0.000200] MIN TIN-LEAD OVER 1.27µm [0.000050] MIN NICKEL.
		CONTACT	SEE TABLE		GOLD FLASH FOR A LENGTH OF 3.81 [0.150] MIN FROM MATING END, 2.54µm [0.000100] MIN TIN OR TIN-LEAD FOR A LENGTH OF 3.56 [0.140] MIN FROM OPPOSITE END, BOTH OVER 1.27µm [0.000050] MIN NICKEL.
		SHIELDING	SEE TABLE		GOLD PLATED FOR A LENGTH OF 3.81 [0.150] MIN FROM MATING END, 0.76µm [0.000030] MIN GOLD IN MATED AREA, 2.54µm [0.000100] MIN TIN OR TIN-LEAD FOR A LENGTH OF 3.56 [0.140] MIN FROM OPPOSITE END, BOTH OVER 1.27µm [0.000050] MIN NICKEL.
		WEIGHT	-		DIMENSION APPLIES FROM CENTER OF CONTACT.
		CUSTOMER DRAWING			