

# MICRO SWITCH

FREEPORT ILLINOIS U S A  
A DIVISION OF HONEYWELL  
FED. MFG. CODE 91929

## SWITCH-TOGGLE

CATALOG LISTING  
**102TL1-10 SERIES**  
CHART 1

MILITARY  
STANDARD  
NUMBER

CATALOG  
LISTING

AVAILABLE  
LOCKING  
COMBINATIONS  
FOR CONFIGURATION  
SEE LETTERED  
DETAILS

STYLE  
NUMBER

CURRENT CAPACITY (AMPS)

RESISTIVE LOAD					LAMP LOAD		INDUCTIVE LOAD	
DC VOLTS		AC VOLTS			28 VDC	125 VAC	28 VDC	125 VAC
28	125	250	125	250	7	4	15	15

THIS DRAWING COVERS A PROPRIETARY ITEM AND IS THE PROPERTY OF MICRO SWITCH. A DIVISION OF HONEYWELL. THIS DRAWING IS NOT TO BE COPIED OR USED WITHOUT THE APPROVAL OF MICRO SWITCH.

MS27723-1

102TL1-10

NONE

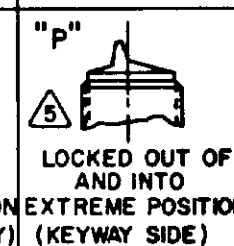
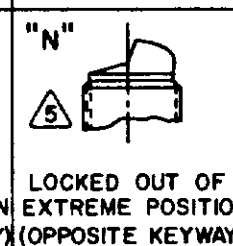
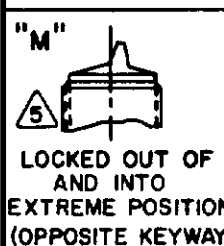
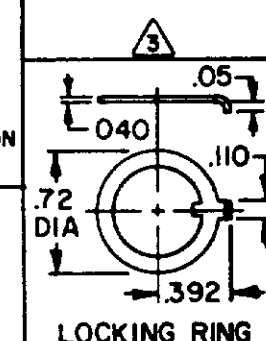
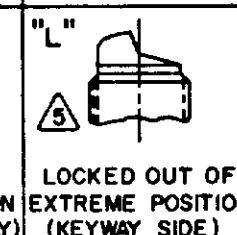
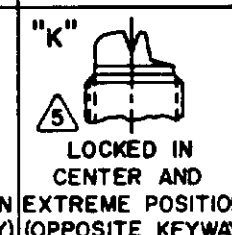
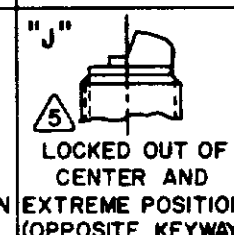
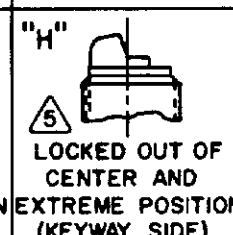
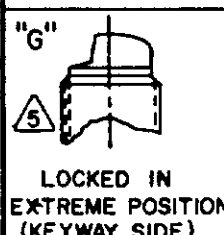
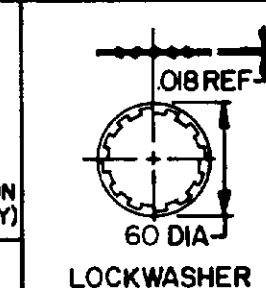
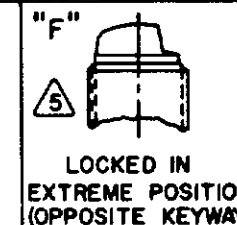
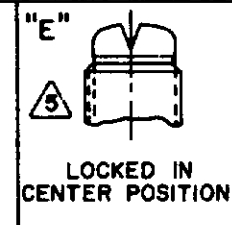
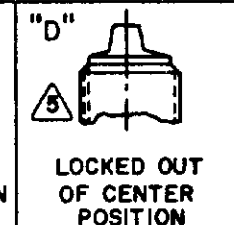
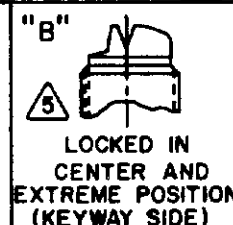
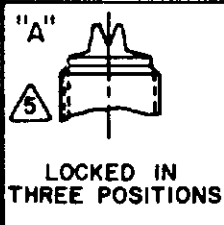
1

MS27782-1

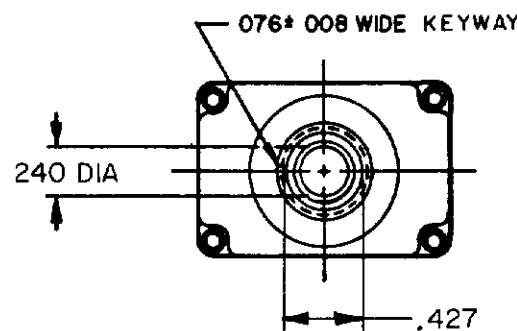
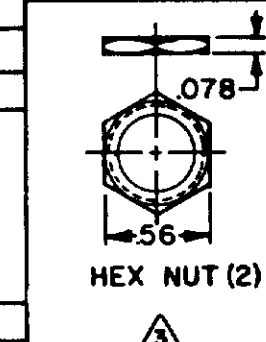
102TL1-10

A,B,D,E,F,G,H,J,K,L,M,N,P

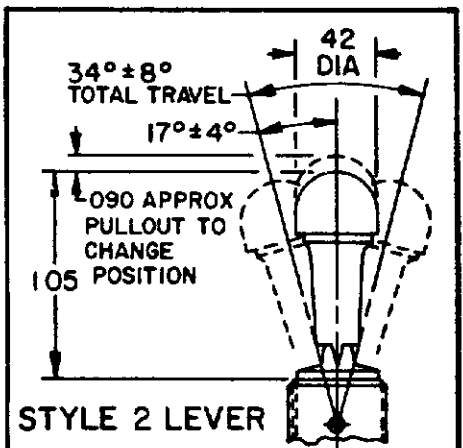
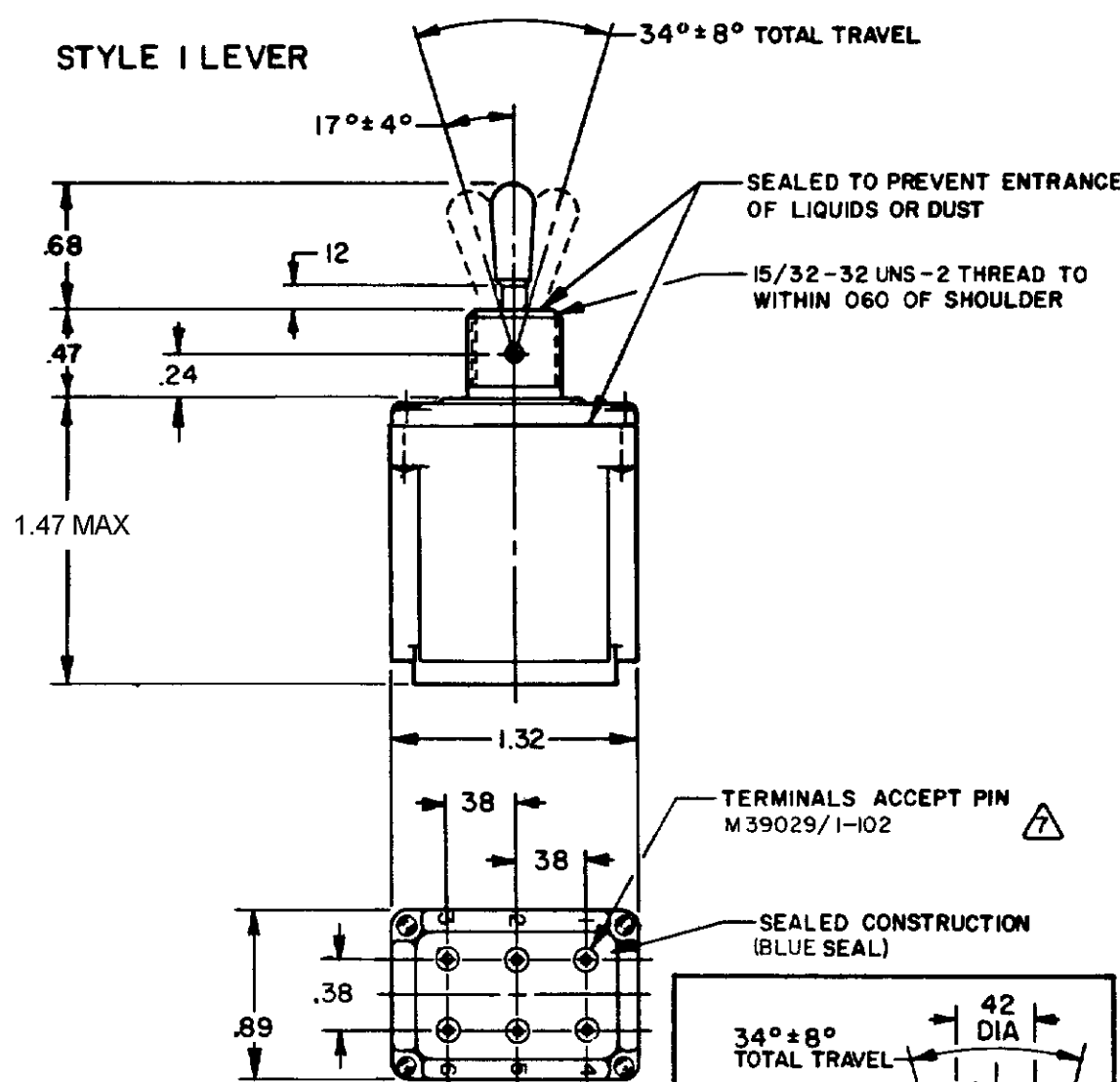
2



CIRCUIT MADE WITH TOGGLE LEVER IN		
KEYWAY SIDE	CENTER	OPPOSITE KEYWAY
MAINTAINED POSITION	MAINTAINED POSITION	MAINTAINED POSITION



### STYLE 1 LEVER



### NOTES

- SWITCHES ARE CAPABLE OF WITHSTANDING A TEMPERATURE OF 160°F CONTINUOUSLY AT FULL RATED LOAD
- CIRCUIT DESIGNATION, MICRO SWITCH CATALOG LISTING, DATE CODE AND MS NUMBER IDENTIFIED ON SIDE OF SWITCH
- FURNISHED UNASSEMBLED
- UNUSED TERMINAL HOLES MAY BE SEALED WITH PLUGS M83723/28-16
- KEYWAY SHOWN ON LEFT SIDE
- SUFFIX LETTER MUST BE ADDED FOR DESIRED TYPE OF TOGGLE LOCKING. SEE CHART FOR AVAILABLE LOCKING COMBINATIONS
- THE SEALING GROMMET SHALL SEAL ON A SMOOTH WIRE INSULATION OF .068 TO .103 DIAMETERS (14-16 GAGE)

CATALOG LISTING  
**M102TL1-10 SERIES CHART 1**  
 PAGE 1 OF 1  
 ISSUE 4  
 REVISIONS  
 A 1092297 JAK 13 FEB 98  
 B 93999 CO 7 JULY 99  
 C 201413 CSL 4 OCT 00  
 RELEASE NO CO-78465 REPLACES SERIES 102TL1-10  
 CHECK 23 JUN 94  
 KAG  
 DRAWN  
 RASTER  
 JJO 9 JUN 94

SCALE FULL  
DO NOT SCALE PRINT  
UNLESS OTHERWISE NOTED  
DIMENSIONS ARE IN INCHES  
TOLERANCES ARE  
ONE PLACE (0) ± 0.020  
TWO PLACE (.00) ± 0.015  
THREE PLACE (.000) ± 0.005  
ANGLES ± 0.005  
WEIGHT .135 LB MAX