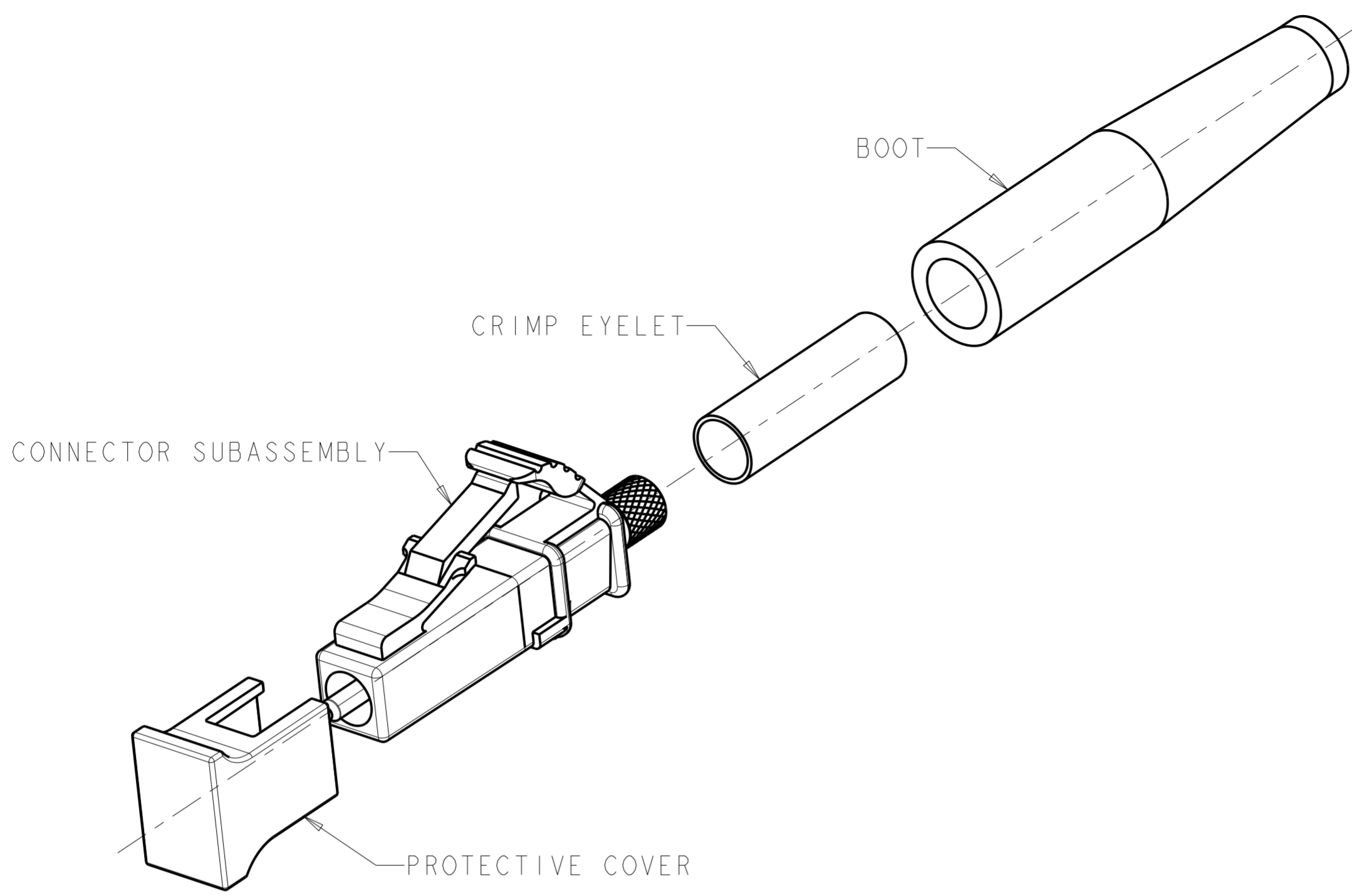


THIS DRAWING IS UNPUBLISHED. RELEASED FOR PUBLICATION
 © 2016 COMMScope, INC. CONFIDENTIAL NOTICE: THESE DRAWINGS AND SPECIFICATIONS ARE THE PROPRIETARY PROPERTY OF COMMScope, INC. AND MAY BE USED ONLY FOR THE SPECIFIC PURPOSE AUTHORIZED IN WRITING BY COMMScope, INC.

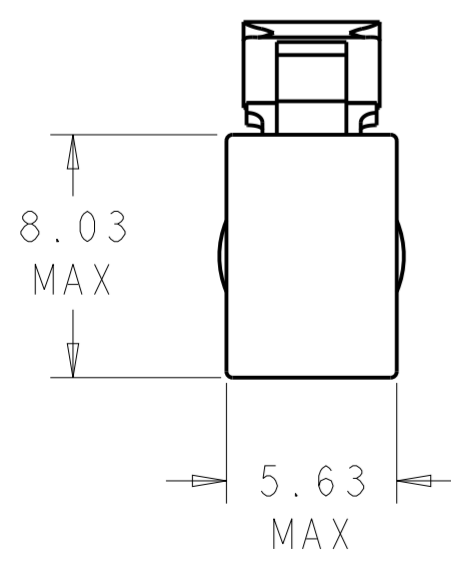
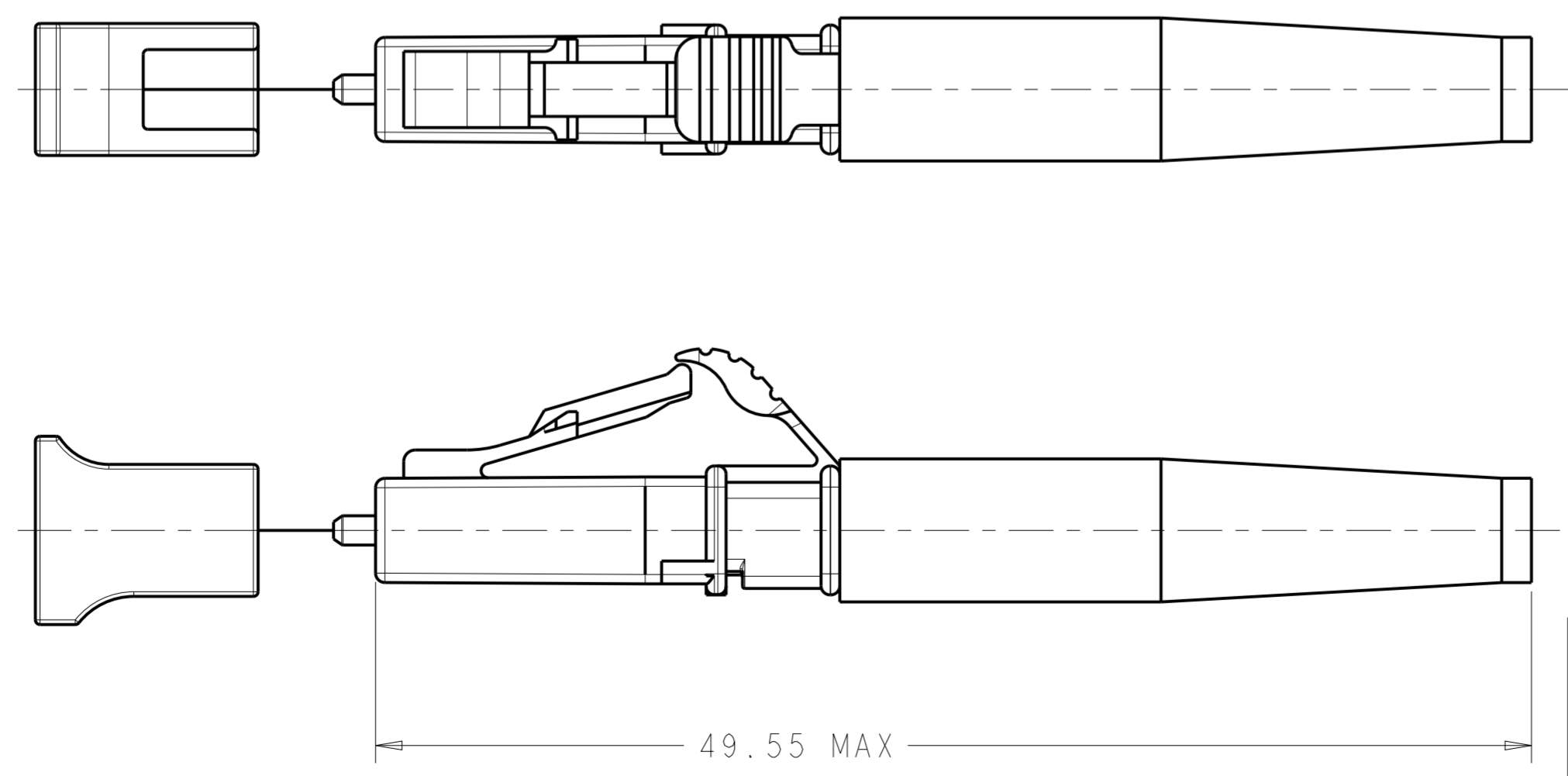
| REVISIONS | | | | |
|-----------|-----|------------------------|-----------|-------|
| P | LTR | DESCRIPTION | DATE | APVD |
| B2 | | REVISE NOTE 3 | 16MAR2009 | BB SB |
| C | | REV PER ECR-10-009660 | 03JUN2010 | IL CT |
| D | | REV PER ECO-13-009908 | 13JUN2013 | JM TE |
| E | | REV PER ECN 8000018382 | 23FEB2017 | GG TE |



1 MATERIAL
 PROTECTIVE COVER: PP, COLOR: WHITE, UL94 HB*
 FERRULE SUBASSEMBLY: ZIRCONIA/METAL
 COMPRESSION SPRING: STAINLESS STEEL
 FRONT HOUSING: PEI, COLOR: BEIGE, UL94 V-0*
 INNER TUBING: PTFE, COLOR: CLEAR, UL VW-1
 REAR BODY: METAL
 BOOT: TPE, UL94 V-0*, SEE TABLE FOR COLOR
 CRIMP EYELET: NICKEL PLATED BRASS
 *RATED AT QUALIFYING THICKNESS.

2 BULK PACKAGE.

3. INSTRUCTION SHEET: 408-8675



| | | |
|---|------------|-------------|
| 2 | BLACK | 1918375-6 |
| 2 | AQUA | 1918375-5 |
| | BLACK | 1918375-4 |
| | AQUA | 1918375-3 |
| 2 | BEIGE | 1918375-2 |
| | BEIGE | 1918375-1 |
| | BOOT COLOR | PART NUMBER |

THIS DRAWING IS A CONTROLLED DOCUMENT.

| | |
|----------------------------------|---|
| DWN B. BRIGGS 25APR2006 | COMMScope, INC. KIT, CONNECTOR, LC SIMPLEX, MM, 3.0mm JACKET |
| CHK D. ROHDE 25APR2006 | |
| APVD D. BAECHTLE 25APR2006 | |
| PRODUCT SPEC | |
| DIMENSIONS: mm | TOLERANCES UNLESS OTHERWISE SPECIFIED: |
| 0 PLC ± | 1 PLC ± |
| 1 PLC ± | 2 PLC ± |
| 2 PLC ± | 3 PLC ± |
| 3 PLC ± | 4 PLC ± |
| 4 PLC ± | ANGLES ± |
| MATERIAL | FINISH |
| 1 | - |
| APPLIC. SPEC | WEIGHT |
| - | - |
| CUSTOMER DRAWING | SCALE 4:1 |
| SHEET 1 OF 1 | REV E |