

**SAFETY ORGANIZATIONS**

THIS FILTER HAS BEEN FORMALLY RECOGNIZED, CERTIFIED OR APPROVED BY THE LISTED AGENCY. THEREFORE, ALL TEST/REQUIREMENTS SPECIFIED IN THE LATEST REVISION OF THE FOLLOWING AGENCY STANDARDS HAVE BEEN MET:

UL RECOGNIZED: UL 1283  
 CSA CERTIFIED: CSA C22.2, NO. 8  
 TUV LICENSED: EN 60950

**OPERATING SPECIFICATIONS**

LINE CURRENT/VOLTAGE: 60 AMP, 150 VDC 55°C (UL & CSA)  
 60 AMP, 120 VDC 55°C (TUV)

LINE FREQUENCY: 0 Hz

MAXIMUM LEAKAGE CURRENT,  
 EACH LINE TO GROUND: NOT APPLICABLE

OPERATING AMBIENT TEMP. RANGE: -10°C TO +55°C @ RATED CURRENT, I<sub>r</sub>.

IN AN AMBIENT, T<sub>a</sub>, HIGHER THAN 40°C, THE MAXIMUM OPERATING CURRENT, I<sub>o</sub>, IS AS FOLLOWS:

$$I_o = I_r \sqrt{\frac{100 - T_a}{45}}$$

**RELIABILITY SPECIFICATIONS:**

STORAGE TEMPERATURE: -40°C TO +85°C  
 HUMIDITY: 21 DAYS @ 40°C 95% RH,  
 CURRENT OVERLOAD TEST: 6 TIMES I<sub>r</sub> FOR 8 SECONDS

**TEST SPECIFICATIONS:**

INDUCTANCE: 0.026 mH NOMINAL  
 CAPACITANCE: (MEASURED @ 1KHz, 0.250VAC MAX., 25°C±1°C)  
 LINE TO GROUND: 0.0066 μF ±20%  
 LINE TO LINE: 0.1 μF ±20%  
 DISCHARGE RESISTOR: 165k Ω  
 L/G AND L/L I.R.  
 NO DISCHARGE RESISTOR: 6000Ω (MIN.) @ 100VDC, 20°C AND 50% RH

**RECOMMENDED RECEIVING INSPECTION HIPOT:**

LINE TO GROUND: 2121 VDC FOR 1 MINUTE  
 LINE TO LINE: 1768 VDC FOR 1 MINUTE

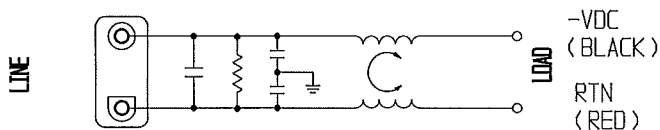
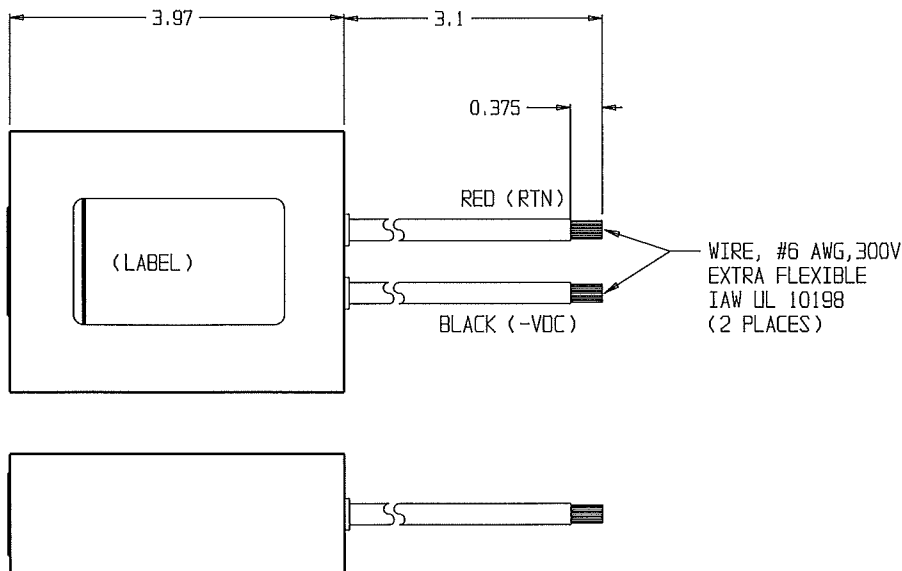
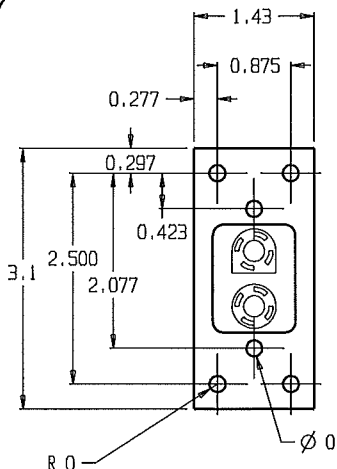
**FILTER APPROVAL:**

THE BEST WAY TO SELECT AND QUALIFY A FILTER IS FOR YOUR ENGINEERING TO TEST THE UNIT IN YOUR EQUIPMENT.

**CUSTOMER DRAWING**

**CATALOG # 60DB8**

EC #	APPRD.	DATE
09-022309	<i>[Signature]</i>	02OCT09



**NOTE**

NOT RECOMMENDED FOR HOT SWAP APPLICATIONS  
 NOT RECOMMENDED FOR CURRENT INTERRUPTING

50Ω - 50Ω (MINIMUM) INSERTION LOSS										THIRD ANGLE PROJECTION		 CORCORN PRODUCTS, 620 S. BUTTERFIELD RD. MUNDELLEIN IL 60060				
FREQUENCY MHz	.05	.10	.15	0.5	1.0	3.0	5.0	10	20	30	UNLESS OTHERWISE SPECIFIED, TOLERANCE TO BE ±.025		POWER LINE FILTER		TYCO ELECTRONICS : 4-1609075-4	
COMMON dB	2	7	10	23	30	48	38	28	20	16	MATERIAL & FINISH: AS SUPPLIED		SCALE: NTS		DATE: 13MAR06	CATALOG NO.
DIFF. dB	20	26	29	43	53	30	30	24	20	18	THIS INFORMATION IS CONFIDENTIAL AND PROPRIETARY TO TYCO ELECTRONICS CORPORATION AND ITS WORLDWIDE SUBSIDIARIES AND AFFILIATES. IT MAY NOT BE DISCLOSED TO ANYONE OTHER THAN TYCO ELECTRONICS PERSONNEL, WITHOUT WRITTEN AUTHORIZATION FROM TYCO ELECTRONICS CORPORATION, HARRISBURG, PENNSYLVANIA USA		DRW. BY: PJD	ORIG: PJD	60DB8	REV. 5