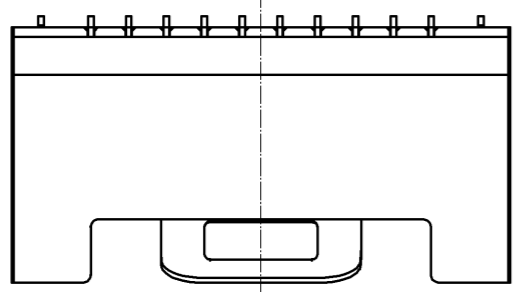
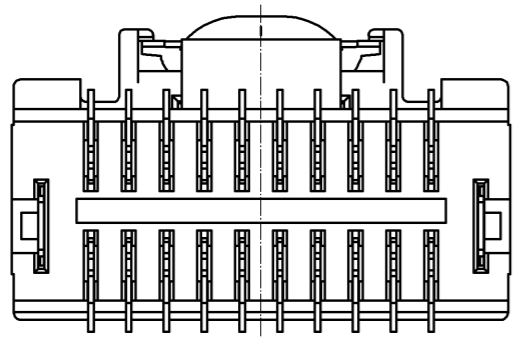
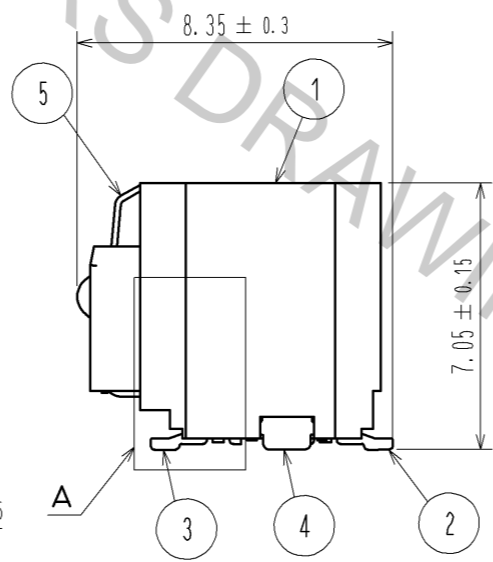
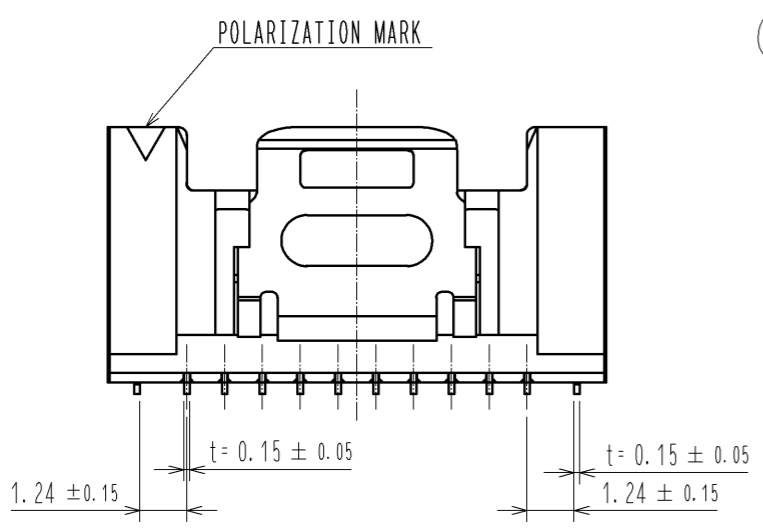
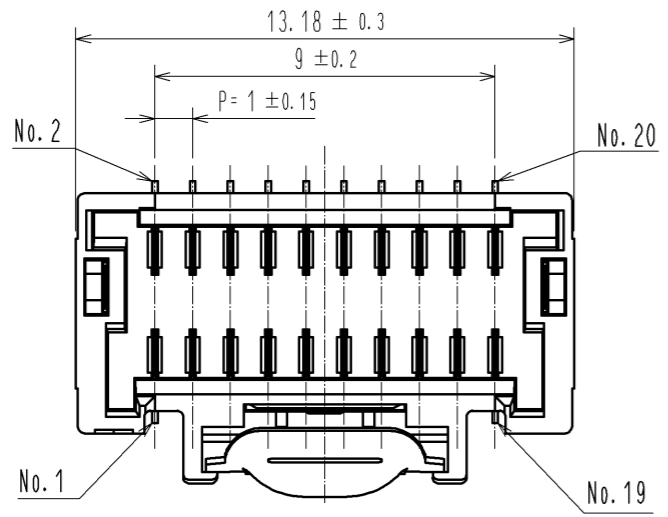
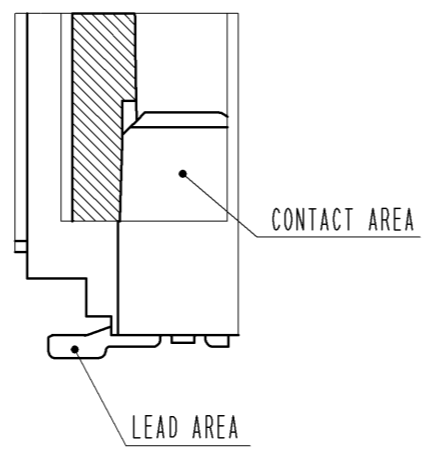


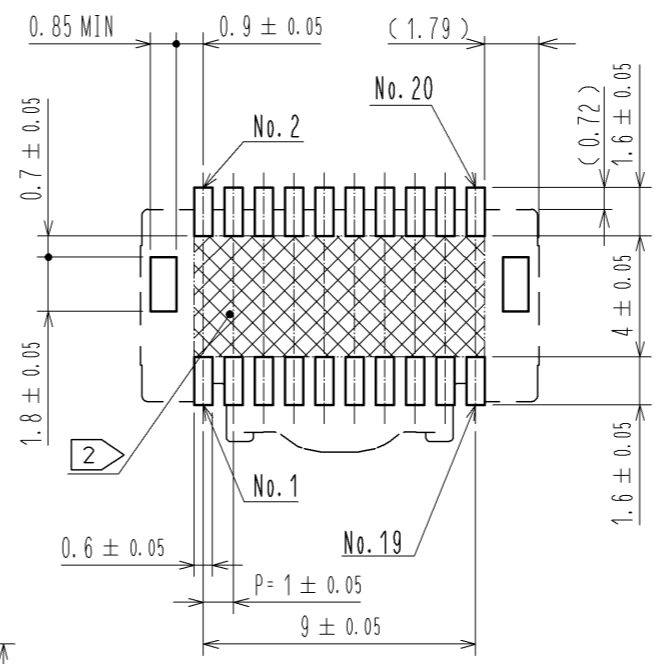
Apr.1.2017 Copyright 2017 HIROSE ELECTRIC CO., LTD. All Rights Reserved.



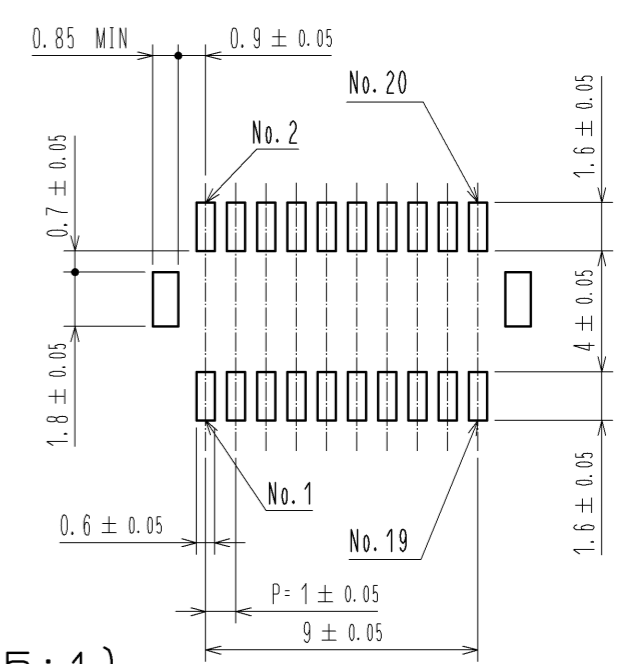
A (10 : 1)



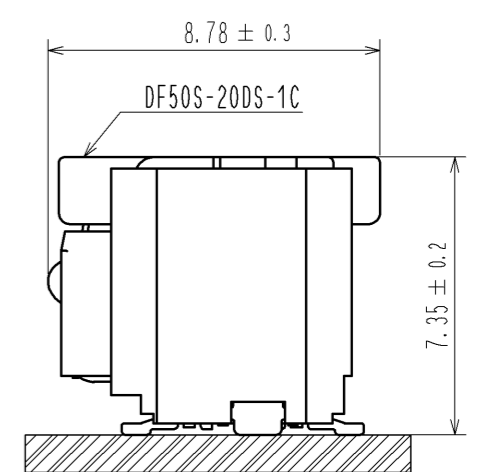
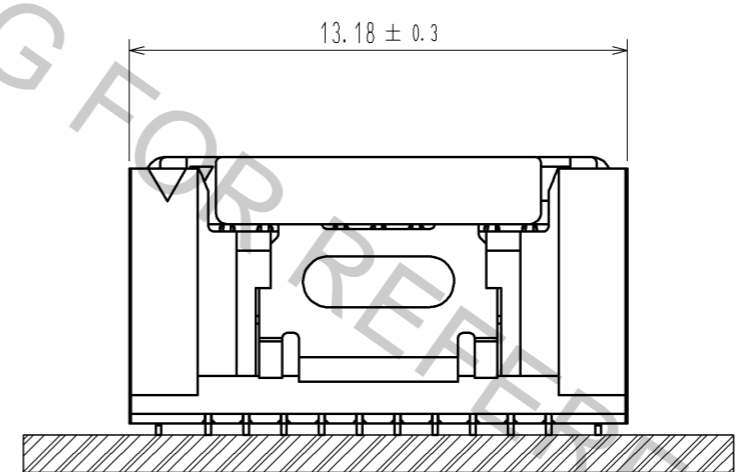
RECOMMENDED PCB LAYOUT
(MOUNTING SURFACE SIDE) (FREE)



RECOMMENDED METAL MASK(FREE)
THICKNESS : 0.1mm



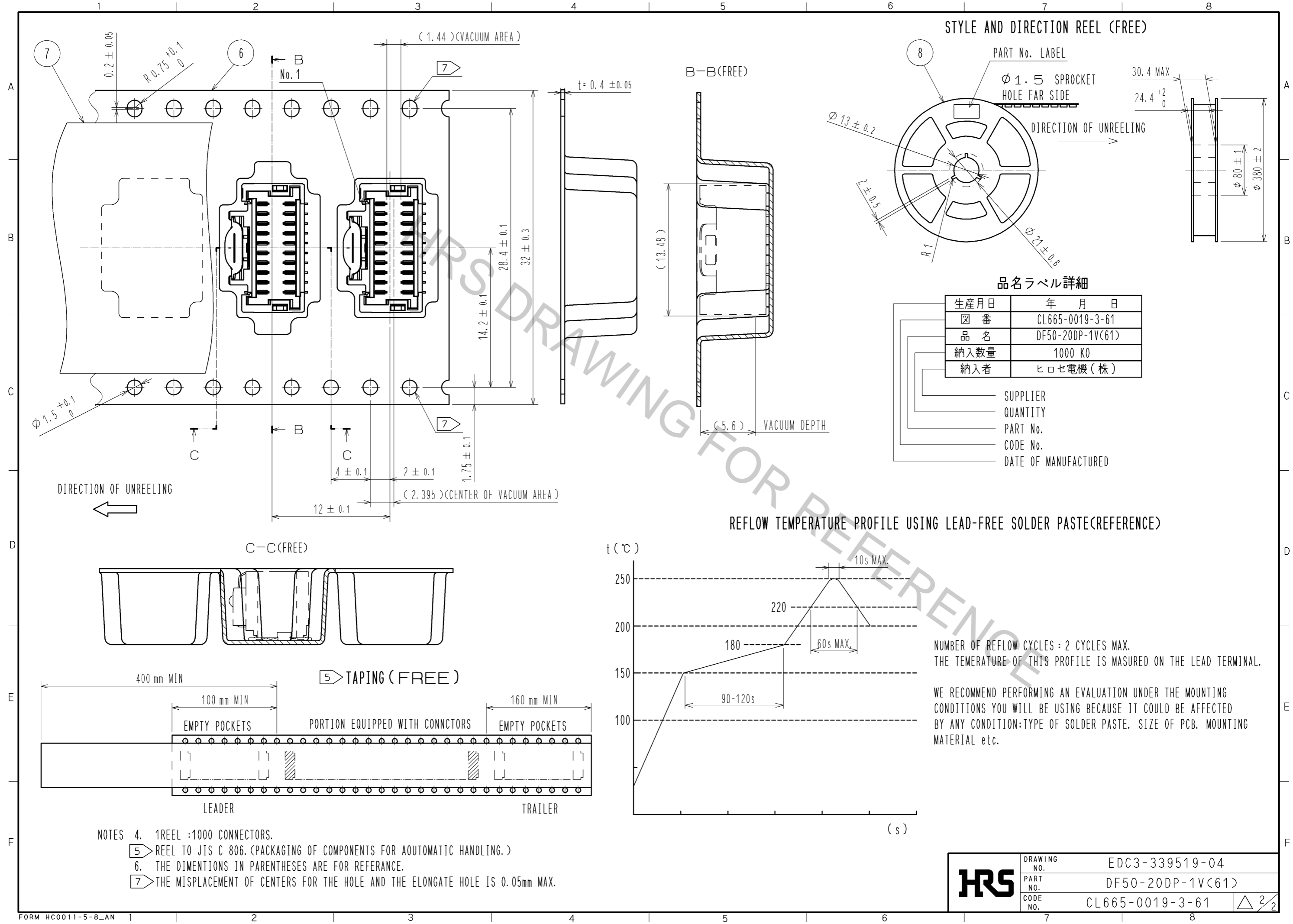
MATING FIGURE (5 : 1)



- NOTES 1. LEAD CO-PLANARITY SHALL BE 0.1 mm MAX.
 2. AREA INDICATED MUST BE FREE OF CONDUCTIVE TRACES OR THE CONDUCTIVE TRACES MUST BE COVERED BY RESIST FILM.
 3. PLEASE CONSULT HIROSE WHEN THE PRODUCT IS MOUNTED TO FPC.

3	BRASS	CONTACT AREA : Au PLATING 0.05μm MIN. LEAD AREA : Au PLATING 0.05μm MIN. UNDERPLATING : Ni PLATING 1μm MIN.	8	PS	REEL, BLACK
2	BRASS	CONTACT AREA : Au PLATING 0.05μm MIN. LEAD AREA : Au PLATING 0.05μm MIN. UNDERPLATING : Ni PLATING 1μm MIN.	7	POLYESTER	CLEAR
1	LCP	NATURAL, UL94V-0	6	PS	CLEAR
			5	STAINLESS STEEL	-
			4	BRASS	SURFACE : Sn PLATING 1μm MIN. UNDERPLATING : Ni PLATING 0.5μm MIN.
NO.	MATERIAL	FINISH, REMARKS	NO.	MATERIAL	FINISH, REMARKS

UNITS mm		SCALE FREE	COUNT △	DESCRIPTION OF REVISIONS	DESIGNED	CHECKED	DATE
APPROVED : KI. AKIYAMA 14.10.17				DRAWING NO.	EDC3-339519-04		
CHECKED : TS. FUKUSHIMA 14.10.17				PART NO.	DF50-20DP-1V(61)		
DESIGNED : HT. SATO 14.10.17				CODE NO.	CL665-0019-3-61		
DRAWN : MI. SAKIMURA 14.10.16					△ 1/2		



STYLE AND DIRECTION REEL (FREE)

PART No. LABEL

Ø 1.5 SPROCKET HOLE FAR SIDE

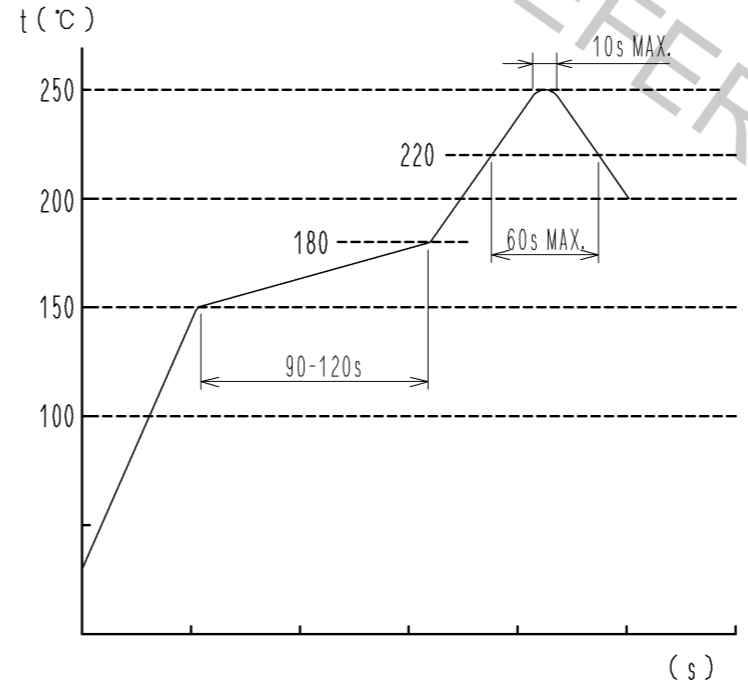
DIRECTION OF UNREELING

品名ラベル詳細

生産月日	年 月 日
図 番	CL665-0019-3-61
品 名	DF50-20DP-1V(61)
納入数量	1000 K0
納入者	ヒロセ電機(株)

SUPPLIER
 QUANTITY
 PART No.
 CODE No.
 DATE OF MANUFACTURED

REFLOW TEMPERATURE PROFILE USING LEAD-FREE SOLDER PASTE(REFERENCE)



NUMBER OF REFLOW CYCLES : 2 CYCLES MAX.
 THE TEMPERATURE OF THIS PROFILE IS MASURED ON THE LEAD TERMINAL.

WE RECOMMEND PERFORMING AN EVALUATION UNDER THE MOUNTING CONDITIONS YOU WILL BE USING BECAUSE IT COULD BE AFFECTED BY ANY CONDITION:TYPE OF SOLDER PASTE, SIZE OF PCB, MOUNTING MATERIAL etc.

- NOTES 4. 1REEL :1000 CONNECTORS.
 5. REEL TO JIS C 806.(PACKAGING OF COMPONENTS FOR AOUTOMATIC HANDLING.)
 6. THE DIMENTIONS IN PARENTHESSES ARE FOR REFERENCE.
 7. THE MISPLACEMENT OF CENTERS FOR THE HOLE AND THE ELONGATE HOLE IS 0.05mm MAX.

HRS	DRAWING NO.	EDC3-339519-04
	PART NO.	DF50-20DP-1V(61)
	CODE NO.	CL665-0019-3-61
		△ 2/2