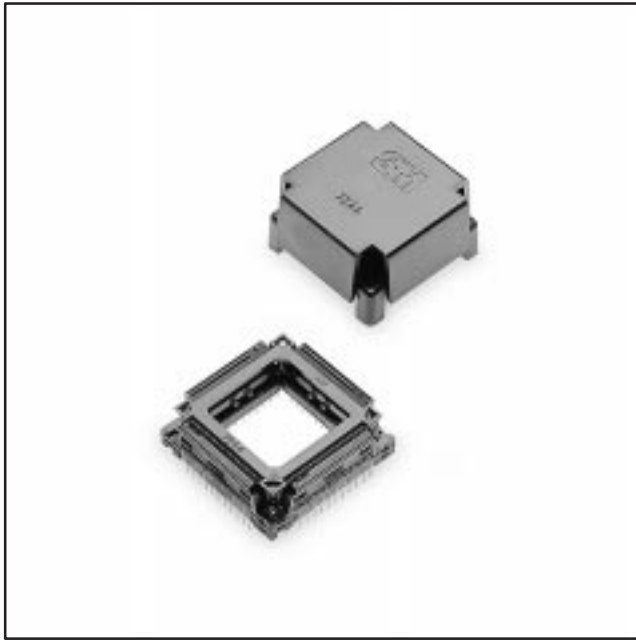


# OEM PQFP Sockets



- Accepts JEDEC MO-069 packages, lead counts 84, 100 and 132
- .025"(0.64mm) center line contacts for high-density packaging
- Lid design separates, maintains IC lead spacing
- Lid acts as package carrier and transport protector
- Lid is compatible with conventional package shipping tubes and trays
- Slotted, "open" socket walls and corners permit airflow around captured package (aids in package heat dissipation)
- Latches secure lid/package assembly to base
- Mirror image contact pin-out available on most lead counts
- Required tooling available in two styles

Date Issued: October 29, 2001

TS-0361-13  
Sheet 1 of 3

---

## Physical

### Insulation

Material: Glass Filled Polyethersulfone ( PES )  
Flammability: UL 94V-0  
Color: Black

### Contact

Material: Beryllium Copper  
Plating  
Underplate: 50  $\mu$ " [ 1.27  $\mu$ m ] Nickel  
Wiping Area & Solder Tails: 200  $\mu$ " [ 5.08  $\mu$ m ] 60/40 Tin Lead

### Latching Aid

Material: Polycarbonate (PC)  
Color: Black

**Marking:** Raised Letters: 3M Logo & Part Identification

---

## Electrical

**Current Rating:** 1 A  
**Insulation Resistance:**  $> 1 \times 10^{12} \Omega$  at 500 Vdc  
**Withstanding Voltage:** 1000 Vrms at Sea Level

---

## Mechanical

**Durability:** 25 actuations  
**Normal Force:** 150 grams average per contact

---

## Environmental

**Temperature Rating Operating:** 0°C to +105°C

UL File No.: E68080

---

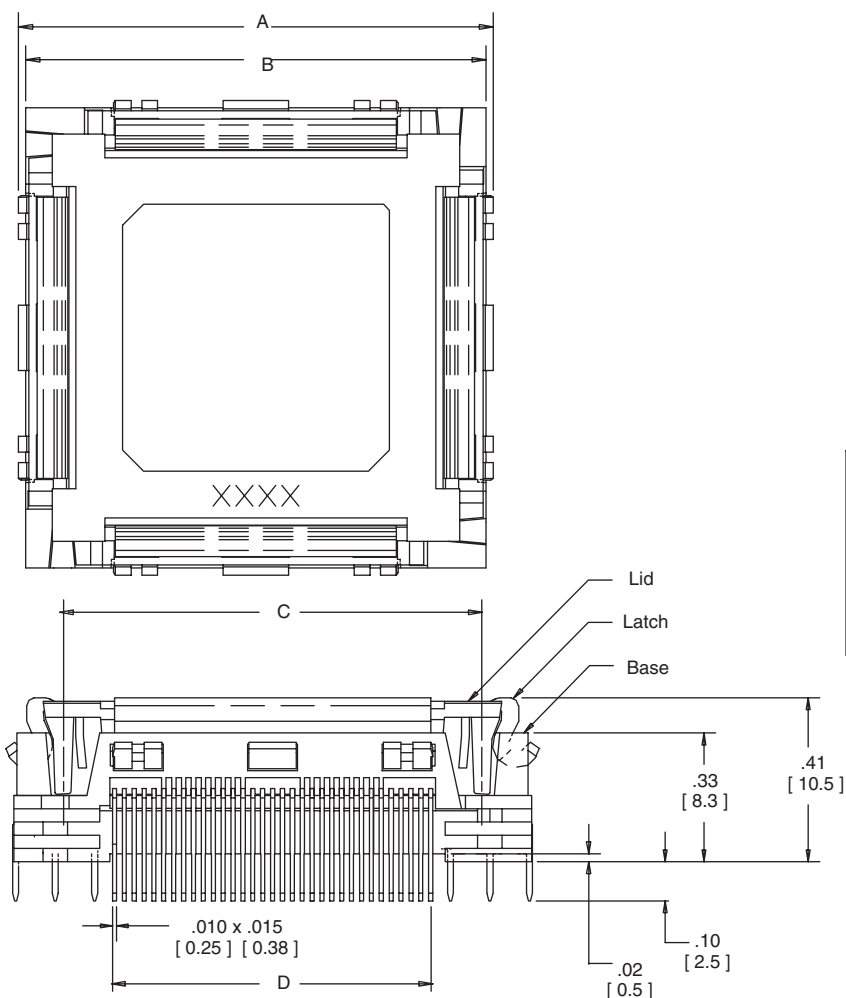
### 3M Electronic Handling and Protection Division

6801 River Place Blvd.  
Austin, TX 78726-9000

For technical, sales or ordering information call **800-328-0411**  
or visit our website: <http://www.3M.com/ehpd>

# OEM PQFP Sockets

Lead Count	Dimensions			
	A Sq.	B Sq.	C +.004 -.006	D ± .002 [ 0.05 ]
100	1.15 [ 29.2 ]	1.11 [ 28.2 ]	.860 [ 21.84 ]	24 Eq. Spaces @ .025 [ 0.64 ] = .600 [ 15.24 ]
132	1.35 [ 34.3 ]	1.31 [ 33.3 ]	1.060 [ 26.92 ]	32 Eq. Spaces @ .025 [ 0.64 ] = .800 [ 20.32 ]



Dimension	Tolerance	
	inch (.0)	mm (.00)
Tolerance	± .010 (± .25)	± .005 (± .13)

## Ordering Information

Lead Count	Part Number	Latching Aid Part Number
100	2100-7243-XX-1807	400-7243-00-9900
132	2132-7244-YY-1807	400-7244-00-9900

XX = 00 Standard 3M PC Pattern  
50 Alternate PC Pattern

YY = 70 Standard 3M PC Pattern  
75 Alternate PC Pattern

TS-0361-13  
Sheet 2 of 3

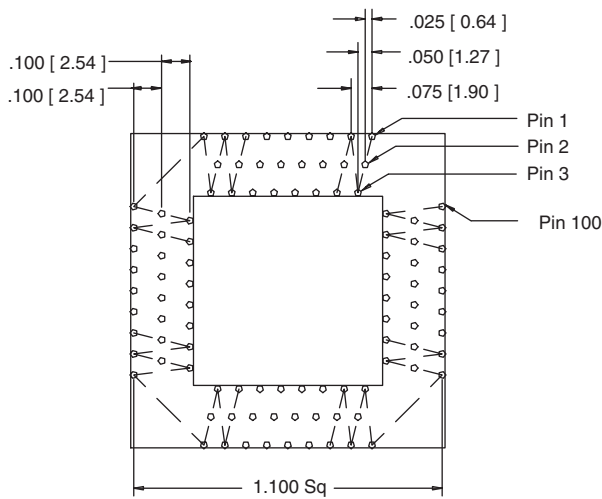
## 3M Electronic Handling and Protection Division

6801 River Place Blvd.  
Austin, TX 78726-9000

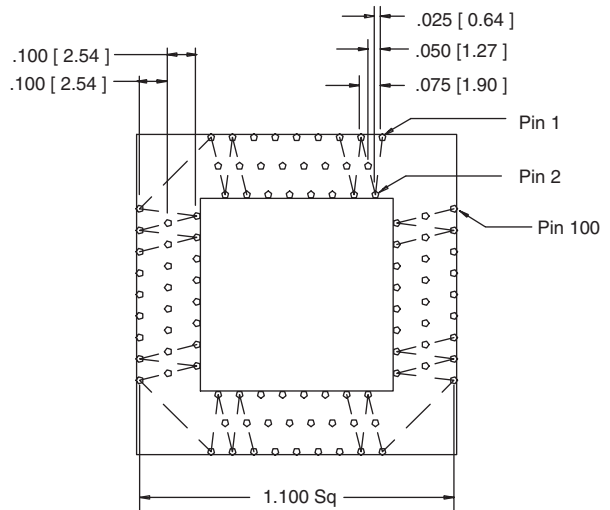
For technical, sales or ordering information call **800-328-0411**  
or visit our website: <http://www.3M.com/ehpd>

# OEM PQFP Sockets

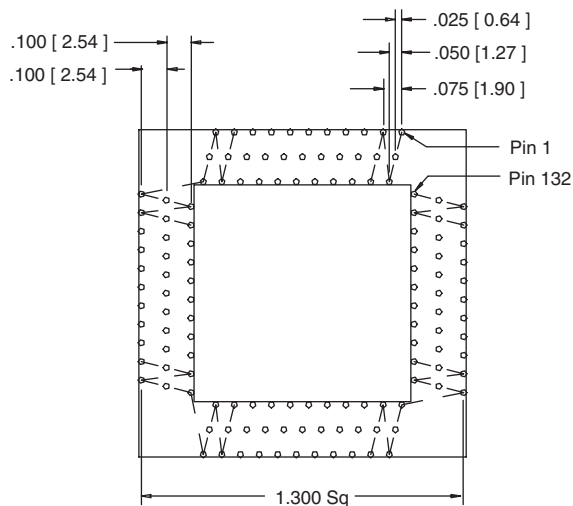
PCB Patterns Component Side



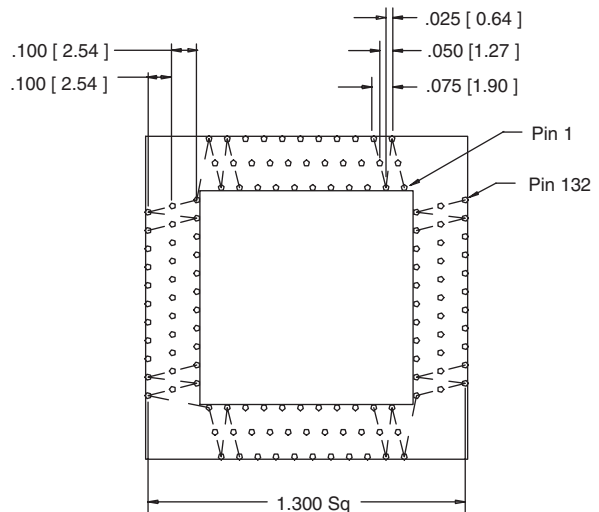
2100-7243-00-1807



2100-7243-50-1807



2132-7244-70-1807



2132-7244-75-1807

Dimension	Tolerance $\frac{\text{inch}}{\text{(mm)}}$	
	$\frac{.00}{(.0)}$	$\frac{.000}{(.00)}$
Tolerance	$\pm .010$ ( $\pm .25$ )	$\pm .005$ ( $\pm .13$ )

TS-0361-13  
Sheet 3 of 3

## 3M Electronic Handling and Protection Division

6801 River Place Blvd.  
Austin, TX 78726-9000

For technical, sales or ordering information call **800-328-0411**  
or visit our website: <http://www.3M.com/ehpd>