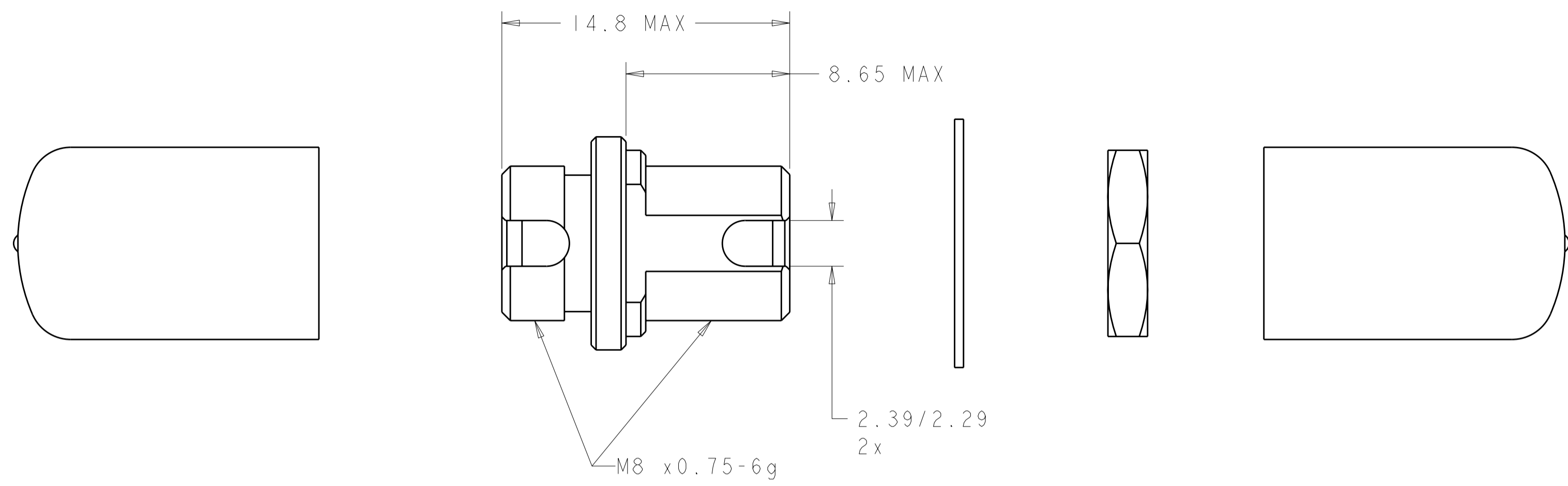
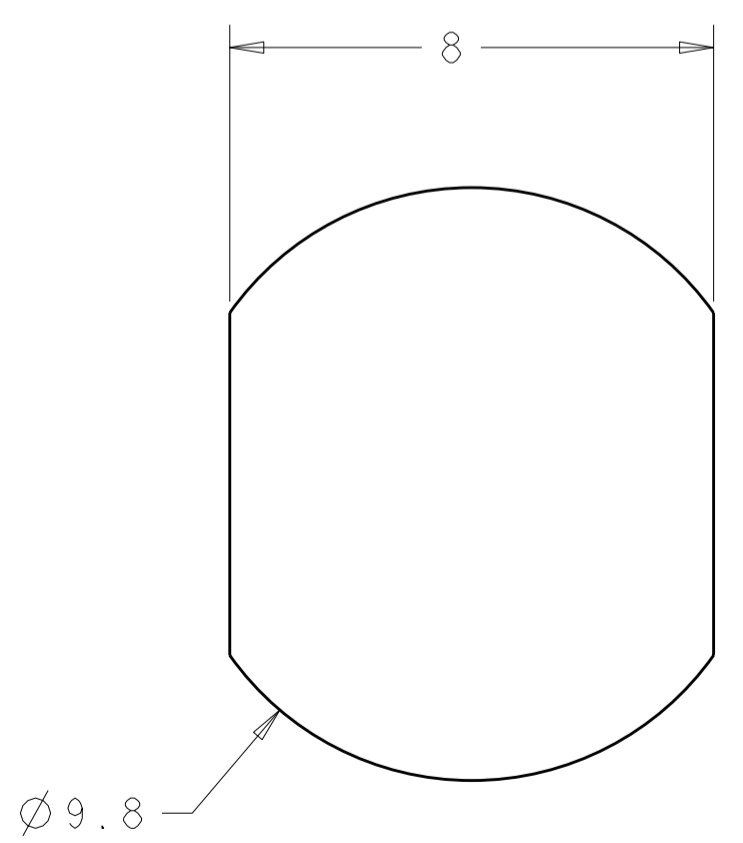
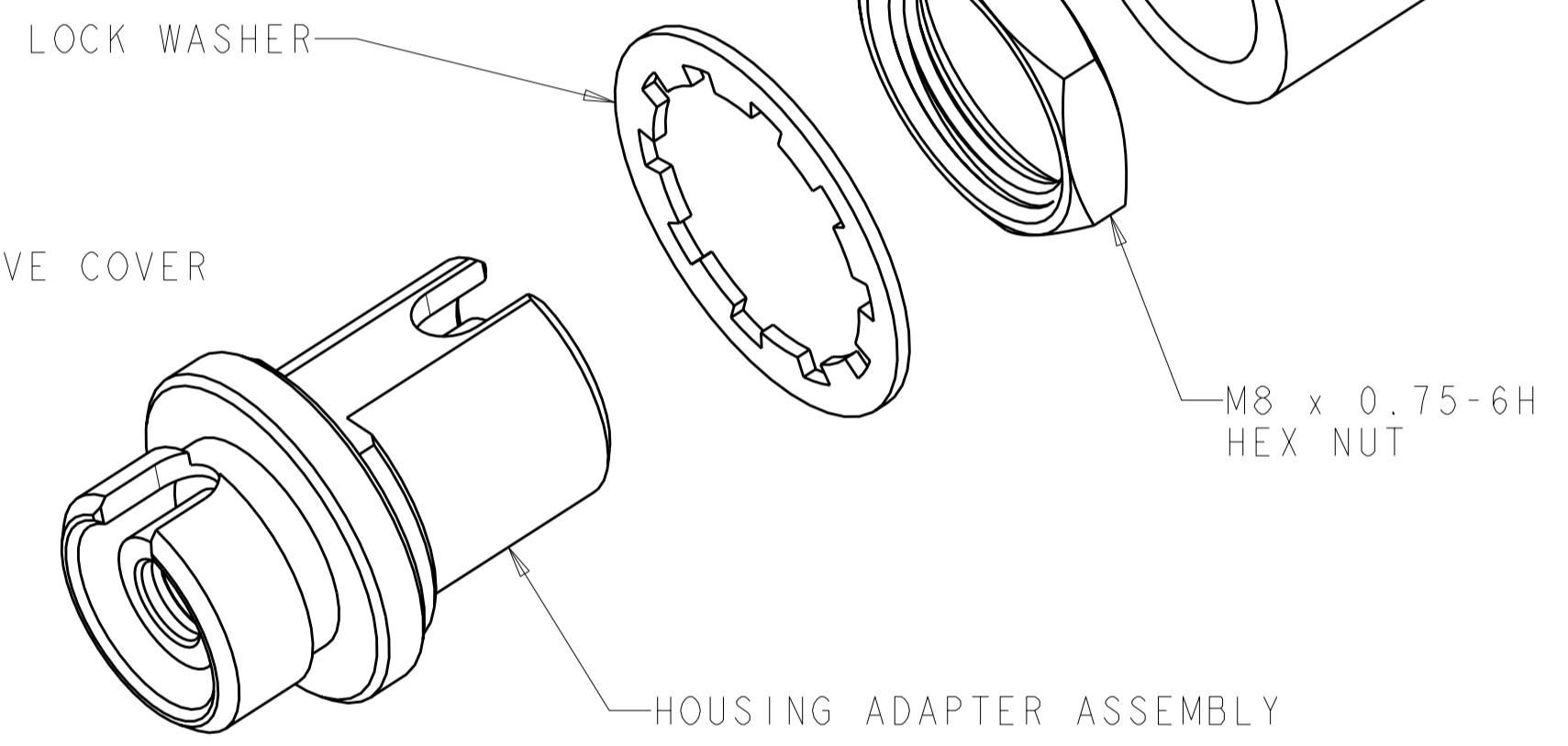


THIS DRAWING IS UNPUBLISHED. RELEASED FOR PUBLICATION 20
 © COPYRIGHT 20 BY TYCO ELECTRONICS CORPORATION. ALL RIGHTS RESERVED.

LOC	DIST	REVISIONS					
CE	00	P	LTR	DESCRIPTION	DATE	DWN	APVD
			A	RELEASE TO ACTIVE	07JUN2006	BB	SM



⚠ MATERIAL:
 HOUSING: NICKEL PLATED BRASS
 ADAPTER INSERT: NICKEL PLATED BRASS
 HEX NUT: NICKEL PLATED BRASS
 SLEEVE: PHOSHER BRONZE
 LOCK WASHER: STAINLESS STEEL
 PROTECTIVE COVER: VINYL, COLOR: RED



SUGGESTED PANEL CUTOUT
 MAXIMUM PANEL THICKNESS 1.65
 SCALE 8:1

5504013-1
 PART NUMBER

THIS DRAWING IS A CONTROLLED DOCUMENT FOR TYCO ELECTRONICS CORPORATION. IT IS SUBJECT TO CHANGE AND THE CONTROLLING ENGINEERING ORGANIZATION SHOULD BE CONTACTED FOR THE LATEST REVISION.		DWN B. BRIGGS 08DEC2005	Tyco Electronics Harrisburg, PA 17105-3608	
DIMENSIONS: mm		CHK S. MILLER 08DEC2005	NAME RECTACLE, FC, STANDARD SLOT	
TOLERANCES UNLESS OTHERWISE SPECIFIED: 0 PLC ±0.1 1 PLC ±0.1 2 PLC ±0.25 3 PLC ± 4 PLC ± ANGLES ± FINISH		APVD S. BUCHTER 08DEC2005	RESTRICTED TO	
MATERIAL		PRODUCT SPEC	SIZE	CAGE CODE
-		APPLICATION SPEC	A2	00779
-		WEIGHT	SCALE	DRAWING NO
-		CUSTOMER DRAWING	5:1	5504013
-			SHEET	REV
-			1	A