

4

3

2

1

THIS DRAWING IS UNPUBLISHED. RELEASED FOR PUBLICATION
© COPYRIGHT ALL RIGHTS RESERVED.

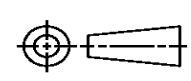
LOC	DIST	REVISIONS			
P	LTR	DESCRIPTION	DATE	DWN	APVD
	D1	ECR-14-002312	17FEB2014	GK	HMR

REPLACED BY OCEAN STYLE APPLICATOR PART NUMBER 2151370-1

FOR REPLACEMENT PARTS FOR APPLICATOR 1855052 REFER TO ADDITIONAL PAGE(S). SPARE PARTS KIT (IF LISTED) WILL REMAIN AVAILABLE.

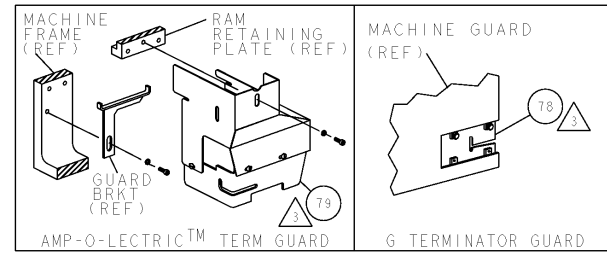
THE REPLACEMENT OCEAN STYLE APPLICATOR HAS THE SAME TERMINATOR/PRESS INTERFACE AS APPLICATOR 1855052

THIS DRAWING IS A CONTROLLED DOCUMENT.		DWN	GOPALAKRISHNA HV														
DIMENSIONS:		CHK	RAGHAVENDRA														
TOLERANCES UNLESS OTHERWISE SPECIFIED:		APVD	RAGHAVENDRA														
<table border="0"> <tr><td>0 PLC</td><td>±</td></tr> <tr><td>1 PLC</td><td>±</td></tr> <tr><td>2 PLC</td><td>±</td></tr> <tr><td>3 PLC</td><td>±</td></tr> <tr><td>4 PLC</td><td>±</td></tr> <tr><td>ANGLES</td><td>±</td></tr> </table>		0 PLC	±	1 PLC	±	2 PLC	±	3 PLC	±	4 PLC	±	ANGLES	±	PRODUCT SPEC	NAME		
0 PLC	±																
1 PLC	±																
2 PLC	±																
3 PLC	±																
4 PLC	±																
ANGLES	±																
MATERIAL		APPLICATION SPEC	END FEED HDM APPLICATOR W/FINE ADJUST														
FINISH		WEIGHT	SIZE	CAGE CODE	DRAWING NO												
			A3		©- 1855052												
		CUSTOMER ACCESSIBLE PRODUCTION DRAWING		SCALE	SHEET 1 OF 2 REV D1												



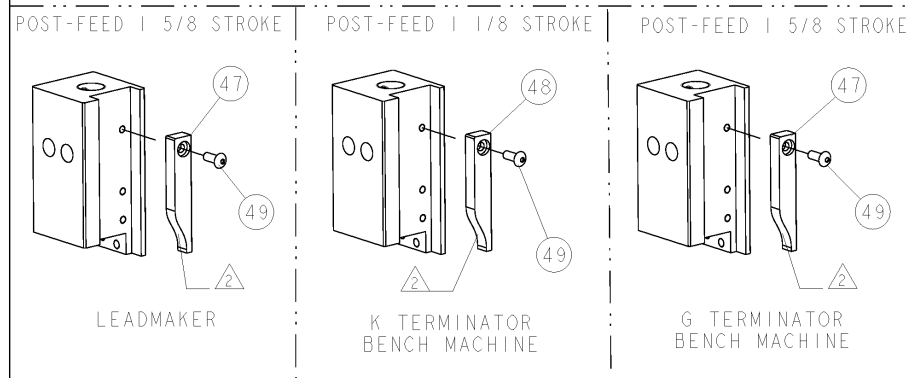
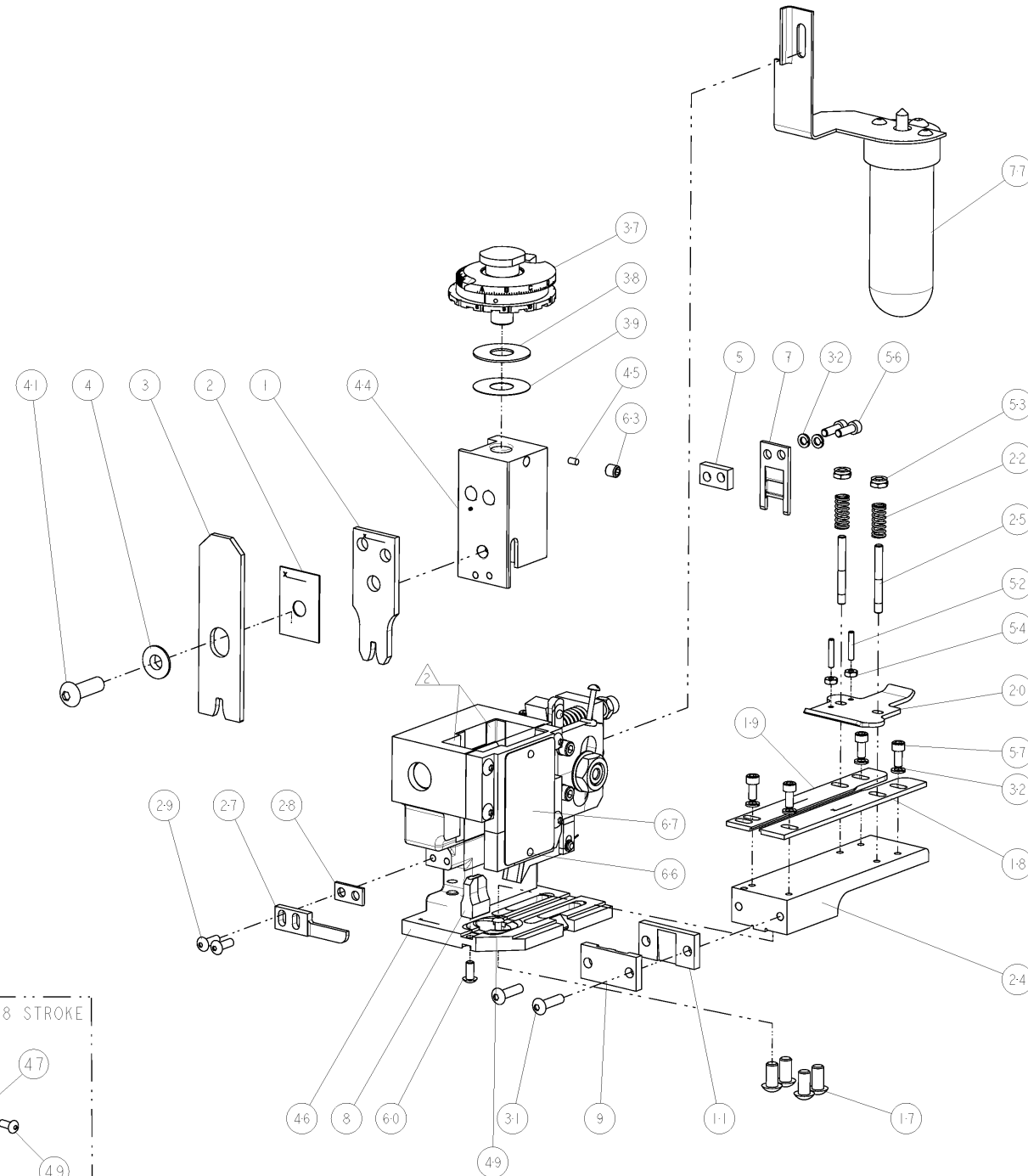
THIS DRAWING IS UNPUBLISHED.		RELEASED FOR PUBLICATION		
COPYRIGHT © 20 BY TYCO ELECTRONICS CORPORATION. ALL RIGHTS RESERVED.		20		
PART NUMBER	REV	FIRST USED	POWER UNIT	FEED TYPE
1855052-1	D	122500-1	LEADMAKER & BENCH MODEL G	POST FEED
1855052-2	D	565435-5	BENCH MODEL K	POST FEED
7-1855052-7	B	-	SPARE PARTS	-

- △ RECOMMENDED SPARE PARTS
- △ GREASE LIGHTLY
- △ GUARD MUST BE IN PLACE WHEN OPERATING APPLICATOR IN A BENCH MACHINE



TERMINAL NAME: #6 STUD RING TERMINAL				
TE PN	42569	AMP TERMINAL - AMP CRIMP SPECS		
40659	60260	REF SET	CRIMP HEIGHT	WIRE SIZE
40660	640118	B3	.102±.002[2.59±0.05mm]	14 AWG
40661	63170	C8	.094±.002[2.39±0.05mm]	16 AWG
40723	63171	D0	.090±.002[2.29±0.05mm]	1(20) + 1(22)
40724	150644	D6	.089±.002[2.26±0.05mm]	18 AWG
40725	63872			
40879	-	CRIMP	SIZE	TYPE
41519	-			RANGE
42007	-	WIRE	.130 [3.30mm]	F 18-14 AWG
42017	-	INSUL	.180 [4.57mm]	F .100-.140
WIRE STRIP LENGTH	TERM APPL SPEC	FEED	APPL INSTRUCTIONS	SET UP GAGE
.184 -.199	114-2084	.855	408-8039	458638-1

LOC	DIST	REVISIONS			
A	66	REV	DESCRIPTION	DATE	BY
		B	ECR-06-009307	18APR2006	MEH
		C	ECR-07-016581	13JUL2007	LG
		D	ECR-10-016375	08AUG2010	MY



△	-	REF	-	455745-1	GUARD WINDOW	79
△	-	REF	-	679532-1	INSERT, GUARD	78
	-	1	-	465184-9	LUBRICATOR ASSY	77
	-	1	1	217238-1	GENERAL INSTRUCTION PKG	72
	-	1	1	4088039	EF APPL INST 408-8039	71
	-	1	1	461264-5	PLATE, IDENTIFICATION	67
	-	2	2	21017-2	SCREW, DRIVE	66
	-	1	1	21009-2	SCR, SET, SELF LOCKING 1/4-20 X .250	63
	-	1	1	22733-8	SCR, BHSC, SELF-LOCKING, 8-32 X .375	60
	-	4	4	2-21000-6	SCR, SKT HD CAP 8-32 X .375	57
	-	2	2	2-21000-7	SCR, SKT HD CAP 8-32 X .500	56
	-	2	2	21018-4	NUT, HEX, REG 4-40	54
	-	2	2	21022-2	NUT, LOCK, HEX, TORQUE, 8-32	53
	-	2	2	2-21006-6	SCR, SET, CUP POINT 4-40 X .625	52
	-	1	1	1-21002-7	SCR, BTN SKT HD CAP 6-32 X .375	49
	-	1	-	690501-3	CAM, POST FEED, 1 1/8	48
	-	1	-	690501-4	CAM, POST-FEED 1/8	47
	-	1	1	458980	SUB ASSY, APPLICATOR FRAME	46
	-	1	1	690191-1	PLUG, NYLON	45
	-	1	1	1-455674-3	RAM	44
	-	1	1	7-21002-9	SCR, BTN SKT HD CAP 5/16-24 X 1.00	41
	-	1	1	690125-1	SHIM SUB-ASSY	39
	-	1	1	469367-7	SHIM	38
	-	1	1	879103-2	FINE ADJUST HEAD SUBASSY	37
	-	6	6	21024-4	WASHER, SPRG LOCK, REG NO 8	32
	-	2	2	2-21002-9	SCR, BTN SKT HD CAP 10-32 X .750	31
	-	2	2	2-21002-2	SCR, BTN SKT HD CAP 8-32 X .500	29
	-	1	1	3-690451-2	SPACER, STRIPPER	28
	-	1	1	240639-1	STRIPPER (MACHINING)	27
	-	2	2	22354-8	STUD, THREADED	25
	-	1	1	455678-1	PLATE, STRIP GUIDE	24
	-	2	2	4-22281-1	SPRING, DRAG	22
	-	1	1	454177-1	DRAG	20
	-	1	1	458030-5	STRIP GUIDE, REAR	19
	-	1	1	458031-5	STRIP GUIDE, FRONT	18
	-	4	4	3-21002-3	SCR, BTN SKT HD CAP 1/4-20 X .500	17
	-	1	1	240644-1	PLATE, REAR SHEAR	11
	-	1	1	690482-8	PLATE, FRONT SHEAR	9
	-	1	1	4-240655-1	ANVIL, COMBINATION	8
	-	1	1	1-690474-0	BLADE, SLUG	7
	-	1	1	1-240641-2	SPACER	5
	-	1	1	238009-1	BLOCK, FL CRIMPER SPACER	4
	-	1	1	456134-6	CRIMPER, INSULATION F PREMIUM	3
	-	1	1	455888-6	SPACER, CRIMPER	2
	-	1	1	456410-4	CRIMPER, WIRE PREMIUM	1

-77 -2 -1 U/M PART NO		DESCRIPTION		ITEM NO
DIMENSIONS: INCHES		TOLERANCES UNLESS OTHERWISE SPECIFIED:		
		0 PLC ±.1	1 PLC ±.01	
		2 PLC ±.01	3 PLC ±.001	
		4 PLC ±.0001	ANGLES ±.0001	
MATERIAL		FINISH		
CUSTOMER ACCESSIBLE PRODUCTION DRAWING		SCALE 3:5		SHEET 1 OF 1 REV D