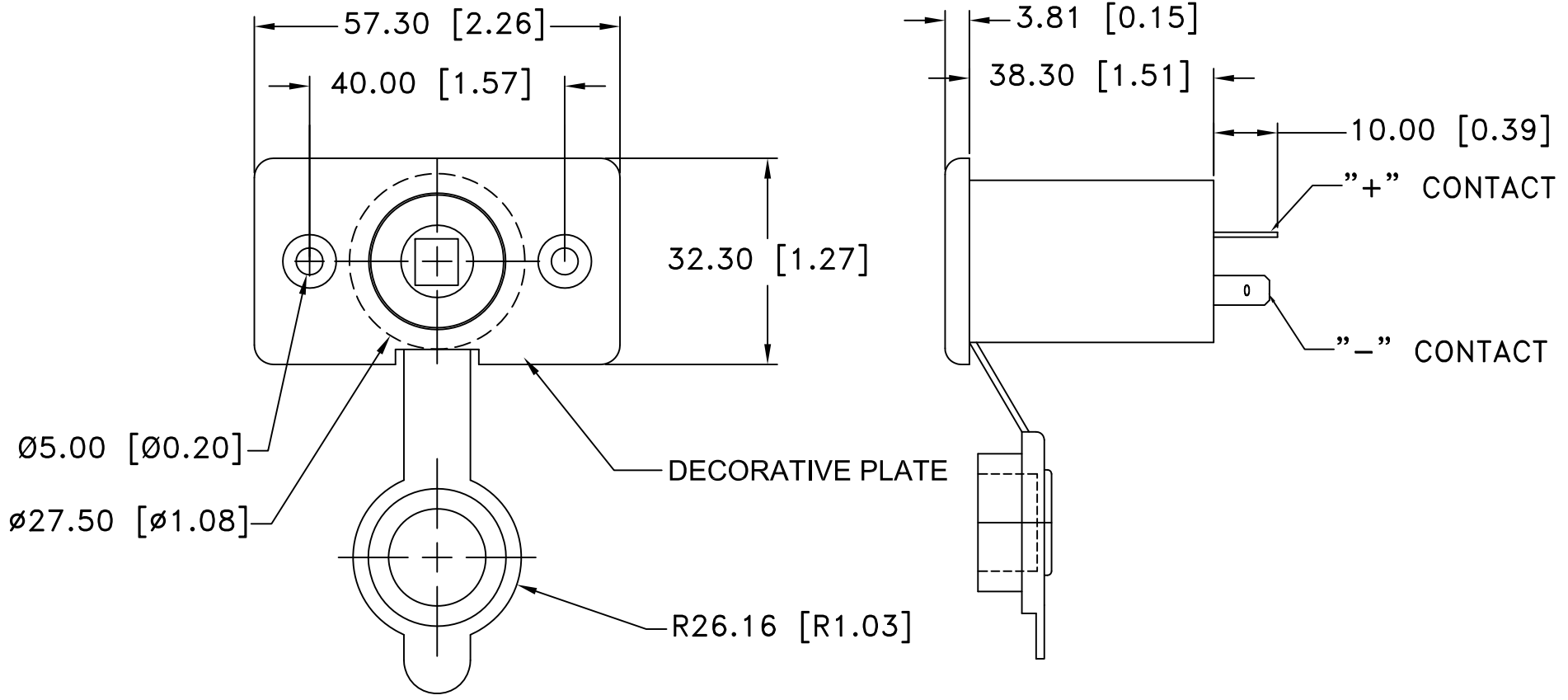



Date	SYM	REVISION RECORD	AUTH	DR.	CK.



MATERIAL SPECIFICATION:
COVER: PVC
BODY: NYLON #66
CONTACTS: BRASS, NICKEL PLATED
PLATE: NYLON #66
ROHS COMPLIANT

Tolerance (Except as noted)	 Memory Protection Devices, Inc 200 Broad Hollow Road, Farmingdale, New York 11735	Scale	Drawn By B.S.
			Approved By T.B.
decimal ±.5 (.020)	Title 12V CIGARETTE SOCKET, 15AMP	Drawing Number AS215	
Fractional ± .8 (.030)		Date 05/14/10	Drawing Number AS215
Angular ± 3°	Date 05/14/10	Drawing Number AS215	