

1. Product Characteristics:

1.1 General Description

Model DMS150100-P5P-SZ is a universal switching-mode power supply, operating at input voltage 90VAC to 264VAC and output voltage of 15VDC with 1.0A DC load.

1.2 Electric Characteristics

1.2.1 Input

| NO | ITEM | SPECIFICATION |
|----|-------------------------------|-------------------------------|
| 1 | Rated input Voltage | AC100V-240V |
| | Vibration input Voltage Range | AC90V-264V |
| 2 | Frequency Rated | 50-60Hz |
| | Frequency Vibration | 47-63Hz |
| 3 | Input Rated Current | 600mA RMS Max |
| | Inrush Current | 30A Max. at 115vac cool start |
| | | 60A Max. at 230vac cool start |
| 4 | Leakage current | 0.25 mA |
| 5 | Efficiency | 60% Min |



1.2.2 Output:

| No | ITEM | SPECIFICATION |
|----|--------------------------|---------------------------------------|
| 1 | *output Voltage | +15VDC |
| 2 | *output max. current | 1.0A |
| 3 | output min. Current | 0A |
| 4 | Line regulation | ± 1% |
| 5 | Load regulation | ± 5% |
| 6 | Over voltage protection | 17.1V to 18.9V DC (output shut down) |
| 7 | Short circuit protection | Output shut down and auto restart |
| 8 | Ripple Voltage (L.F.) | 150mV (p-p) (100V-240VAC Input) |

1.2.3 HI-POT SPECIFICATION

Input to output : 3000VAC or 4242VDC 10mA 1 minute.

1.2.4 Insulation resistance:

Input to output: 500vdc to test the input to output resistance not be less 100M ohm

1.2.5 Safety approved: UL,CUL,GS,CE

1.2.6 EMI standard : meet FCC Class B , VCCI-II , CE



1.3 Mechanical Characteristics:

1.3.1 AC Plug : Interchangeable PIN (US/EUROPE/UK/AUS)

1.3.2 DC cord:

1.3.2.1 Bending test: Life 1000 times 100% guarantee. Swings 120 from Left
to right loading weight 500 gm , 40 cycle/minute.

1.3.2.2 Pull test : DC cord and plug ,weight 10kg for 1 minute.

1.3.3 Cord length and output plug: See Reference Att.4

1.3.4 Weight : 210 g

1.3.5 Case Size:(L) 74 × (W)43.5 × (H)34mm

1.3.6 Normal operating temperature and humidity

1.3.7 Temperature

Operating : 0°C to 40°C.

Storage : -10°C to 70°C.

1.3.8 Humidity

Operating : 20% to 80%.

Storage : 10% to 90%



2.Attachment

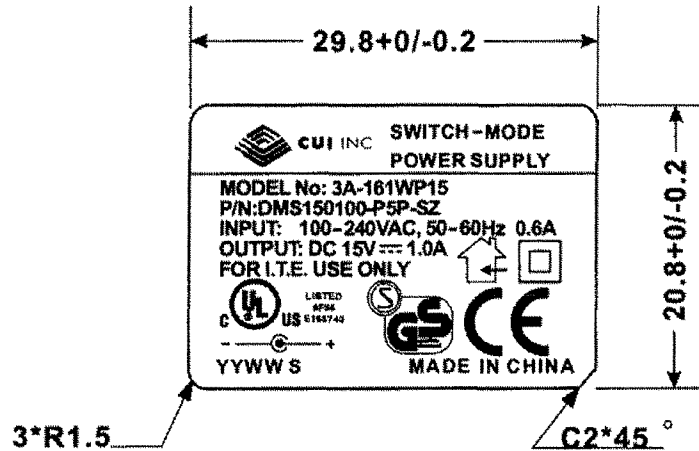
(Att.1) Label

(Att.2) Outdrawing

(Att.3) Package

(Att.3.1) Package flow chart

(Att.4) Dc Cord drawing



UNIT: mm

YYWW S YY:YEAR WW:WEEK S:FU YONG

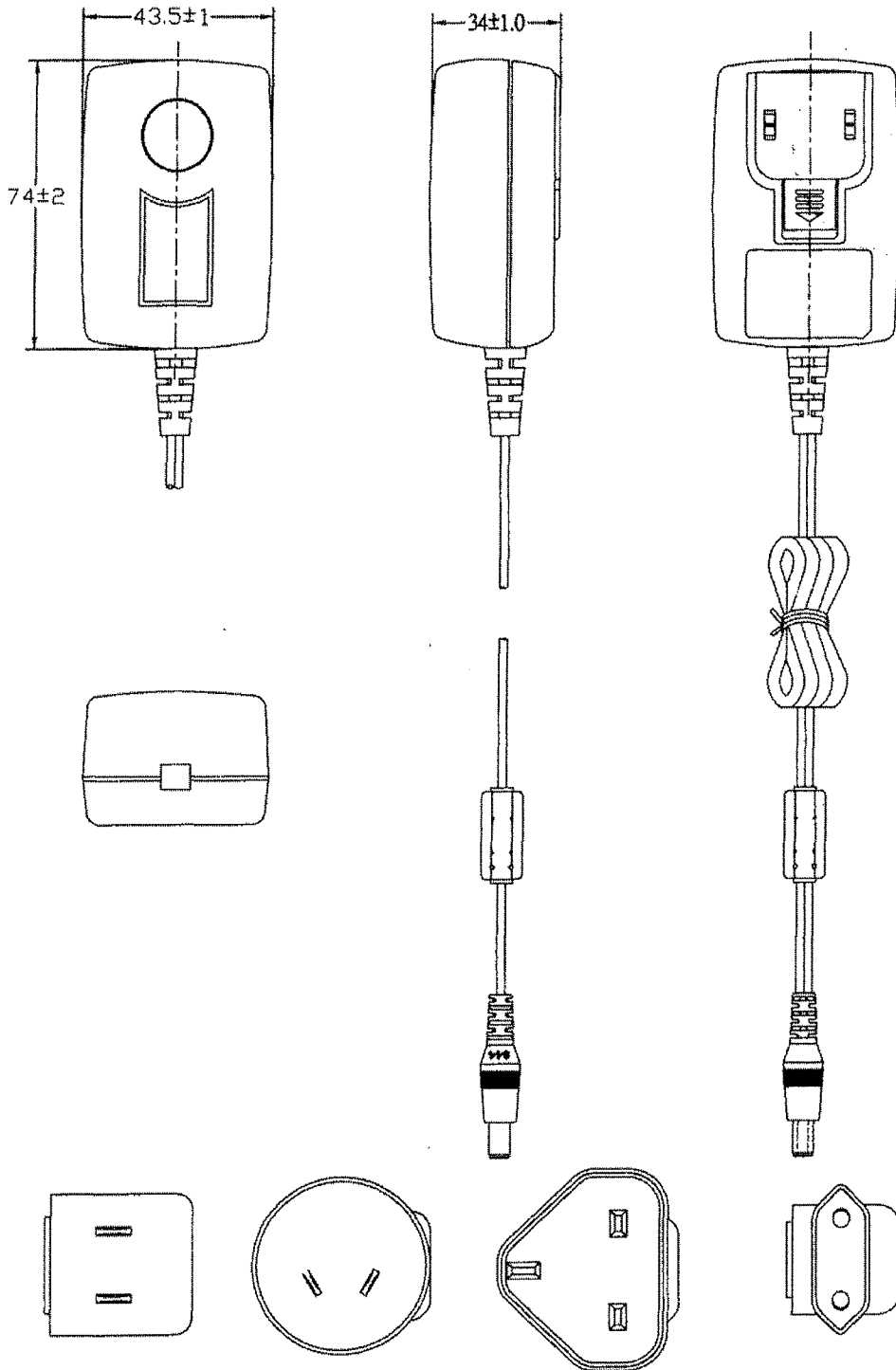
ALUMINUM NAMEPLATE: ○ BLACK WORD ON SILVER BASE

○ SILVER WORD ON BLACK BASE

METALIZED POLYESTER: ● BLACK WORD ON SILVER BASE

(SILVER MATTE)

○ SILVER WORD ON BLACK BASE



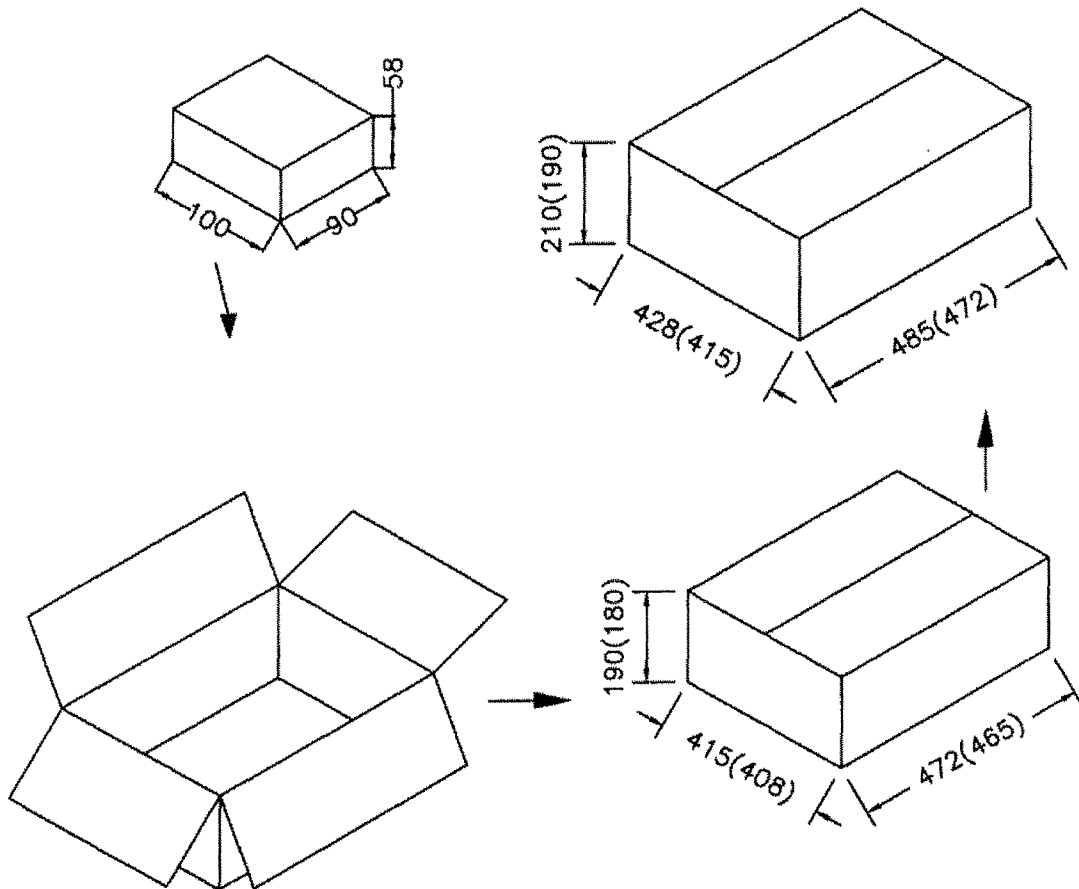


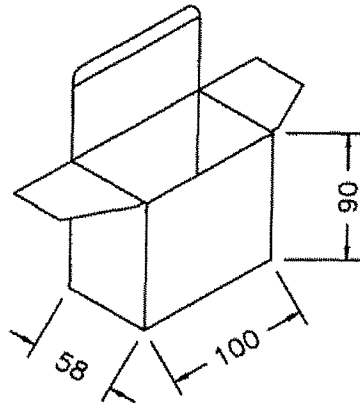
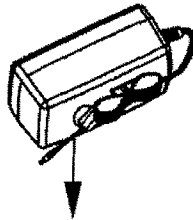
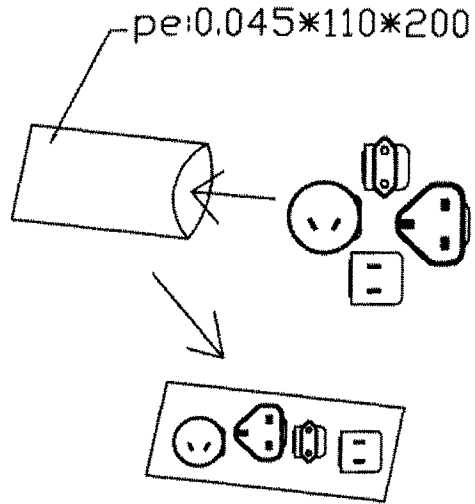
CARTON SIZE: 485X428X210mm

485X428X210mm

Q'TY: 60pcs(20x3x1)

60pcs(20x3x1)





White Box: NO.13



