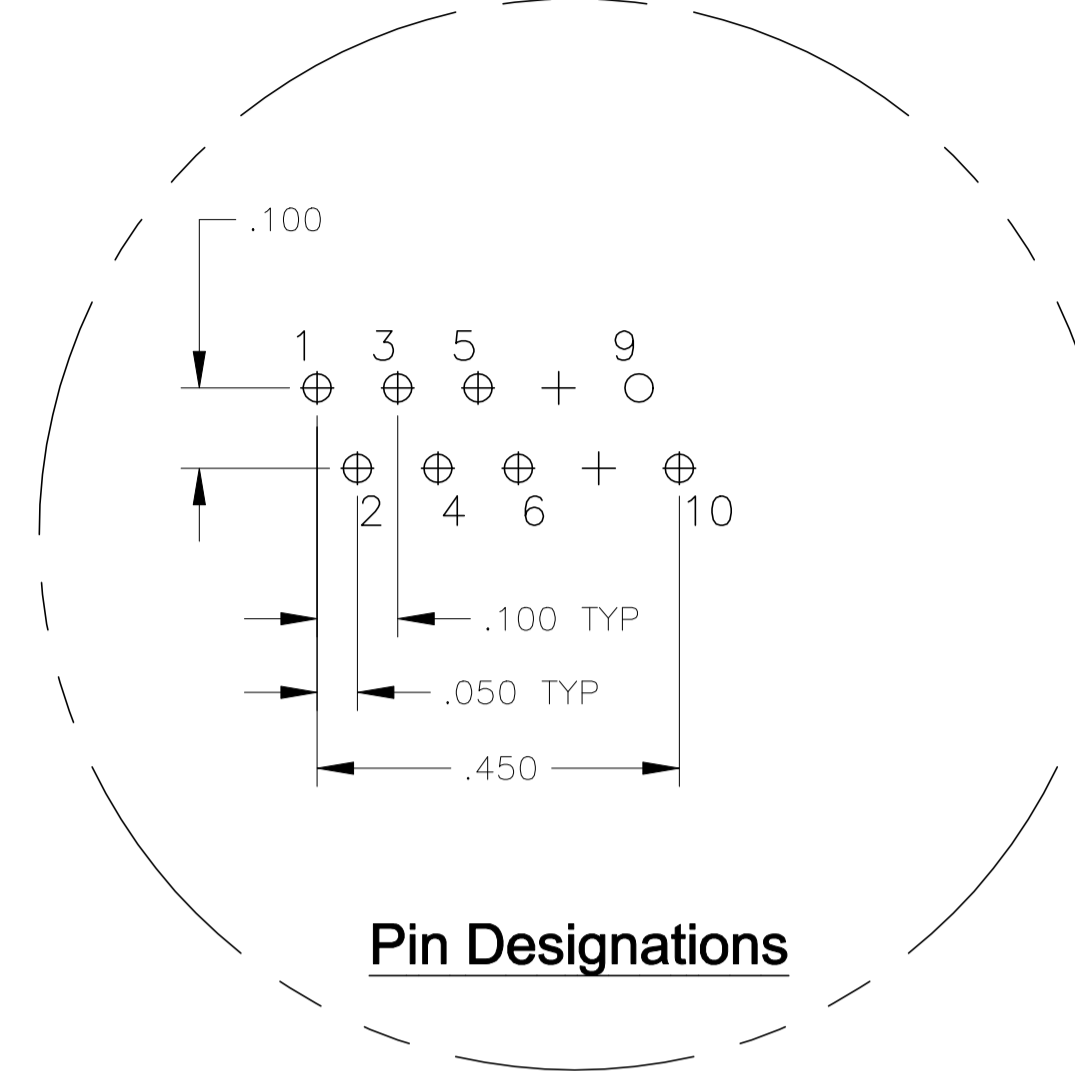
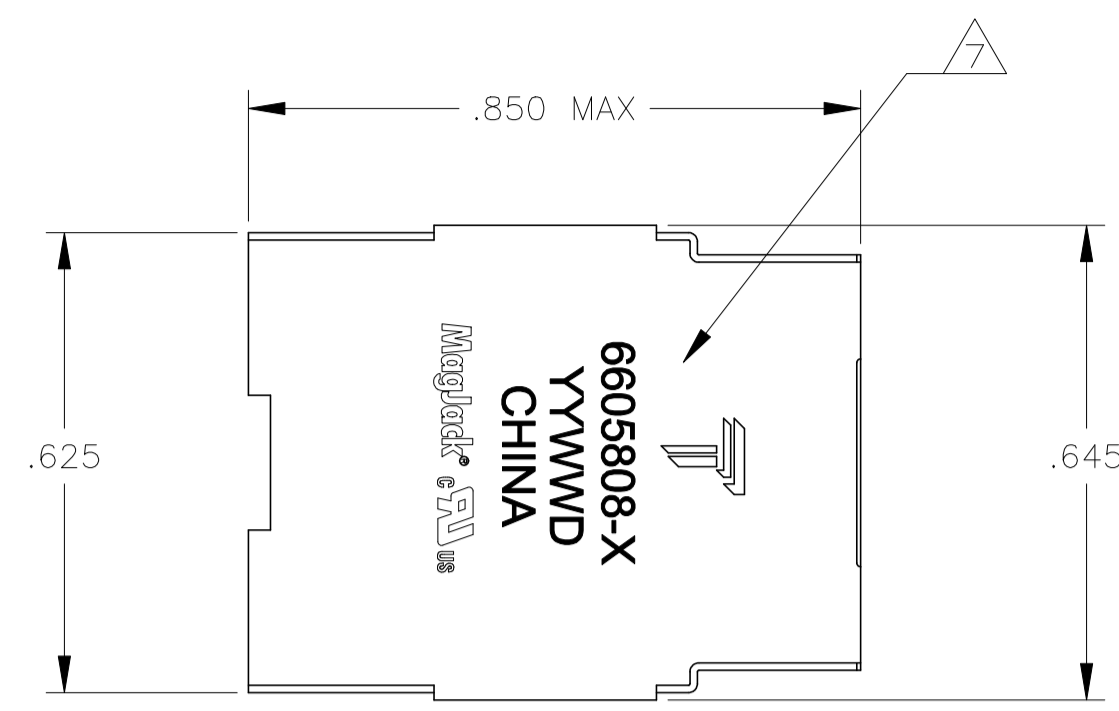


THIS DRAWING AND THE SUBJECT MATTER SHOWN THEREON ARE CONFIDENTIAL AND THE PROPERTY OF BEL/STEWART/TRP CONNECTOR AND SHALL NOT BE REPRODUCED, COPIED, OR USED IN ANY MANNER WITHOUT THE WRITTEN CONSENT OF TRP CONNECTOR.

PRODUCT MAY BE PROTECTED BY ONE OR MORE OF THE FOLLOWING US PATENTS:  
 5736910 5939955 6425781 6428361 6554638 6840817 7123117  
 7429195 7717749 7808751 6217391 6149050 7924130

REVISIONS				
P	LYR	DESCRIPTION	DATE	APVD
F		EC-1411035 COMPANY LOGO CHANGE	08JAN2015	HY KZ

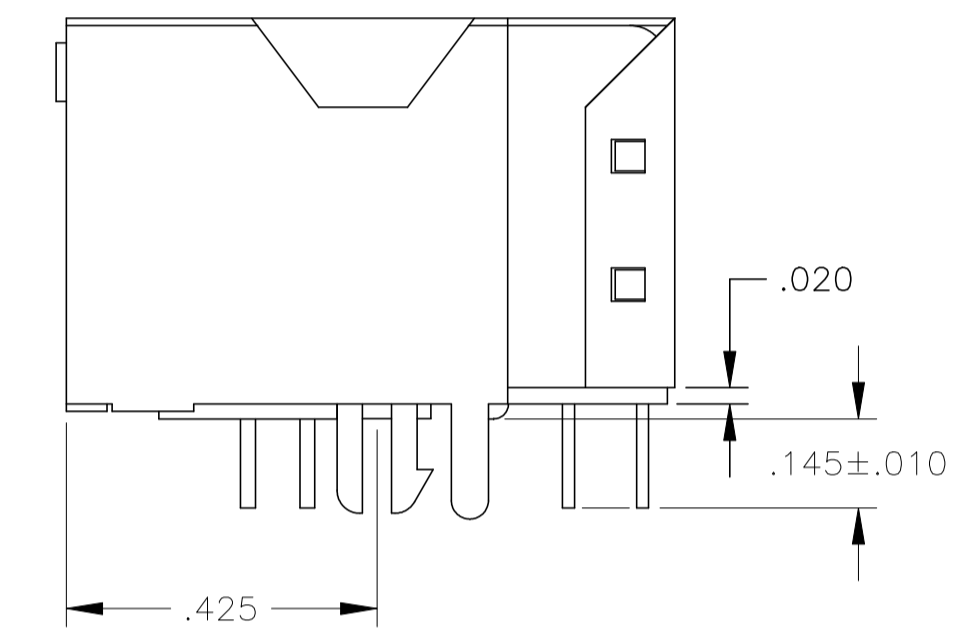
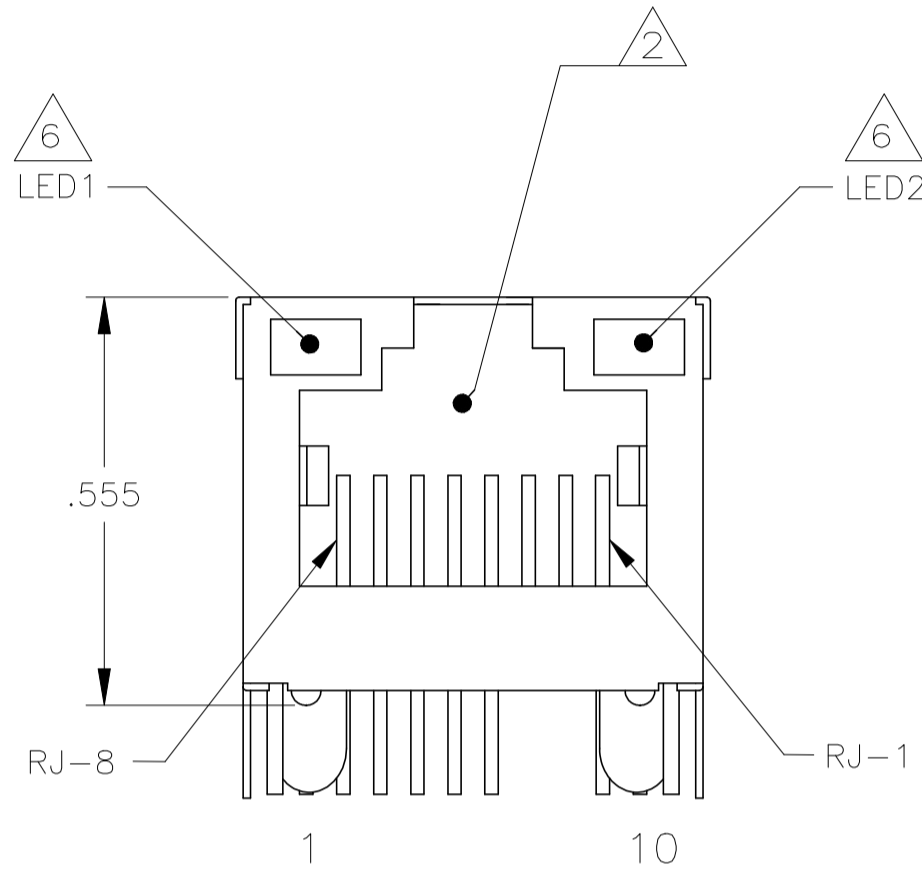
**MECHANICAL:**



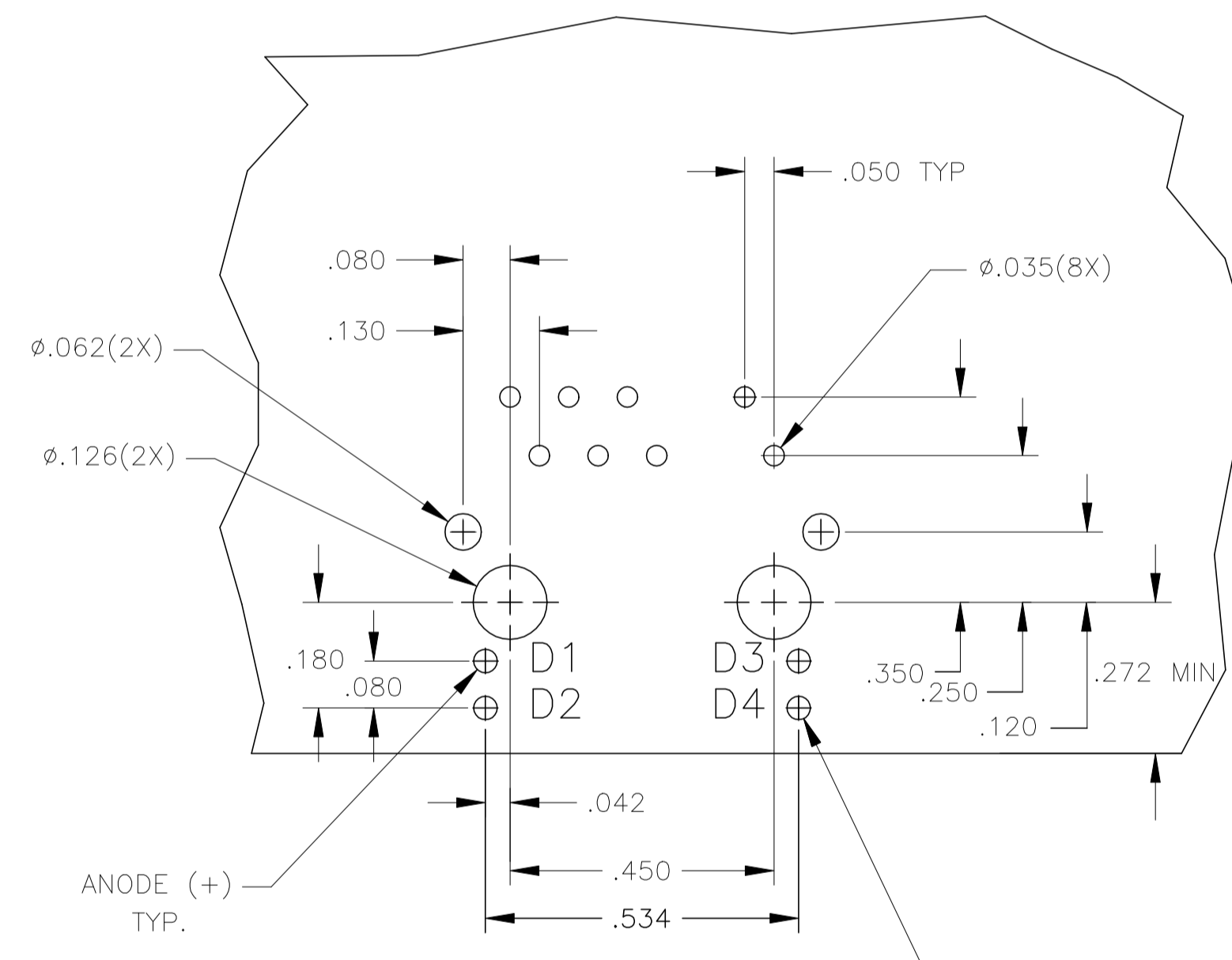
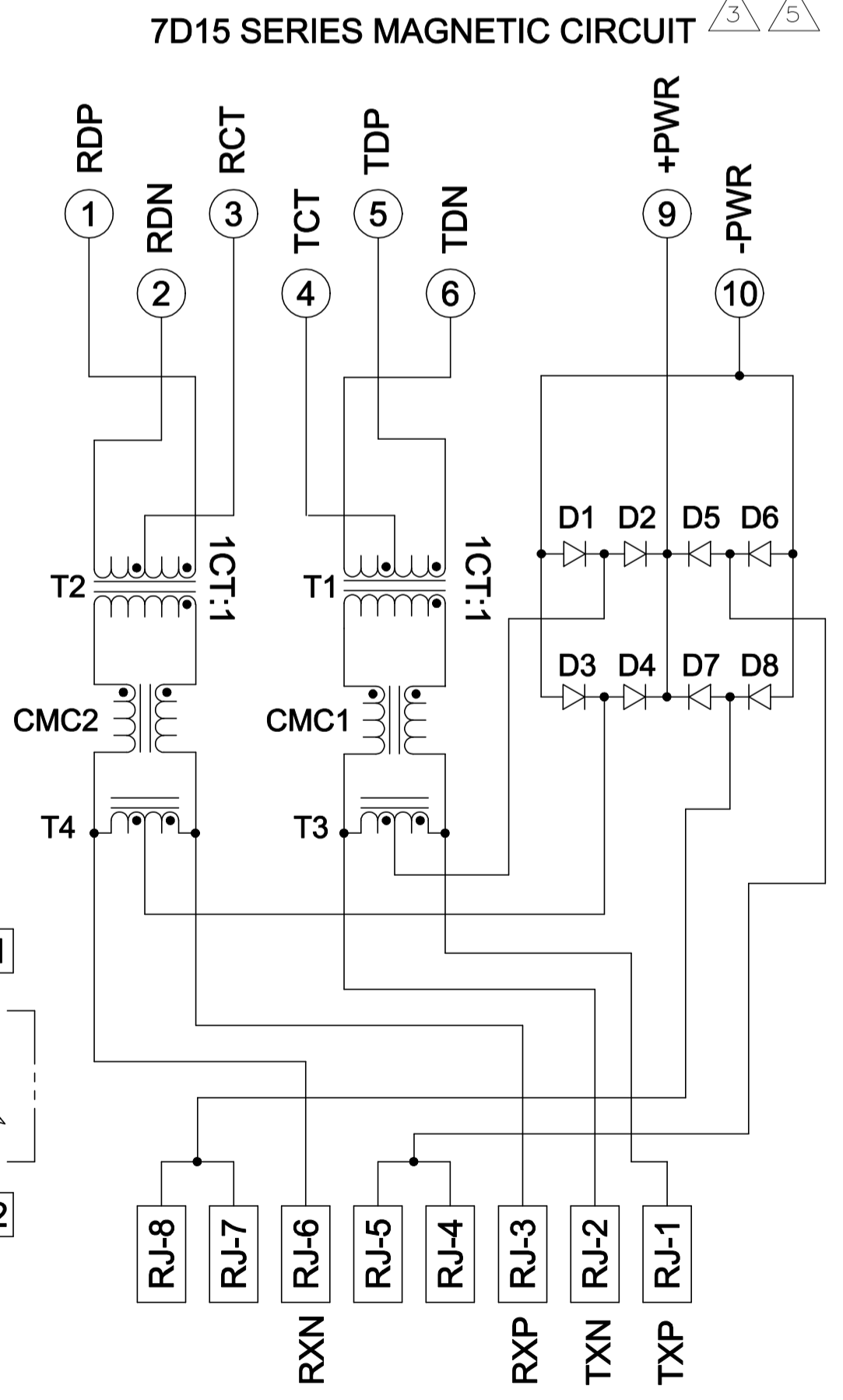
- MATERIALS:**
- HOUSING - THERMOPLASTIC PET POLYESTER FLAMMABILITY RATING UL 94V-0.
  - SHIELD - .010" THICK, C26800 BRASS PREPLATED WITH 30μINCH MIN SEMI-BRIGHT NICKEL, SOLDER TABS POST DIPPED WITH 100μINCH MIN SAC SOLDER.
  - MOD JACK CONTACTS - 0.0157" x 0.018" PHOSPHOR BRONZE, 50μINCH MIN OVERALL NICKEL UNDERPLATE, WITH SELECT 50μINCH MIN HARD GOLD FINISH PLATE. SOLDER TAILS WITH 100μINCH MIN MATTE TIN AND/OR SAC SOLDER DIP.
  - LIGHT EMITTING DIODE(LED) - DIFFUSED EPOXY LENS, .020" x .020" CARBON STEEL WIREFRAME LEADS PRE-PLATED WITH 80μINCH SILVER OVER 40μINCH NICKEL UNDERPLATE OVER 40μINCH COPPER UNDERPLATE, POST-PLATED WITH 100μINCH MIN MATTE TIN AND/OR SAC SOLDER DIP OR PURE TIN SOLDER DIP.

- RJ45 JACK CAVITY CONFORMS TO FCC RULES AND REGULATIONS PART 68, SUB PART F.**
- MAGNETICS**
- IMPEDANCE: 100 OHMS
  - TURNS RATIO (CHIP CABLE): TX = 1:1, RX = 1:1
  - OPEN CIRCUIT INDUCTANCE (OCL): 350μH MIN @100kHz, 0.1VRMS, 8mADC BIAS FROM 0°C TO 70°C, TX AND RX
  - POE CURRENT: 350mADC MAX
  - PERFORMANCE @ 25°C:
    - INSERTION LOSS (IL): 1.1dB MAX FROM 0.5MHZ TO 100MHZ
    - RETURN LOSS (RL): 18dB MIN FROM 0.5MHZ TO 30MHZ
    - 18-20LOG(f/30)dB MIN FROM 30.1MHZ TO 60MHZ
    - 12dB MIN FROM 60.1MHZ TO 80MHZ
    - CROSSTALK ATTENUATION: 35dB MIN FROM 0.5MHZ TO 40MHZ
    - 33-20\*LOG(f/50)dB MIN FROM 40.1MHZ TO 100MHZ
    - COMMON MODE REJECTION RATIO (CMRR): 30dB MIN FROM 0.5MHZ TO 100MHZ
    - ISOLATION VOLTAGE:1500VAC (MAX) AT 60HZ FOR 60 SECS.

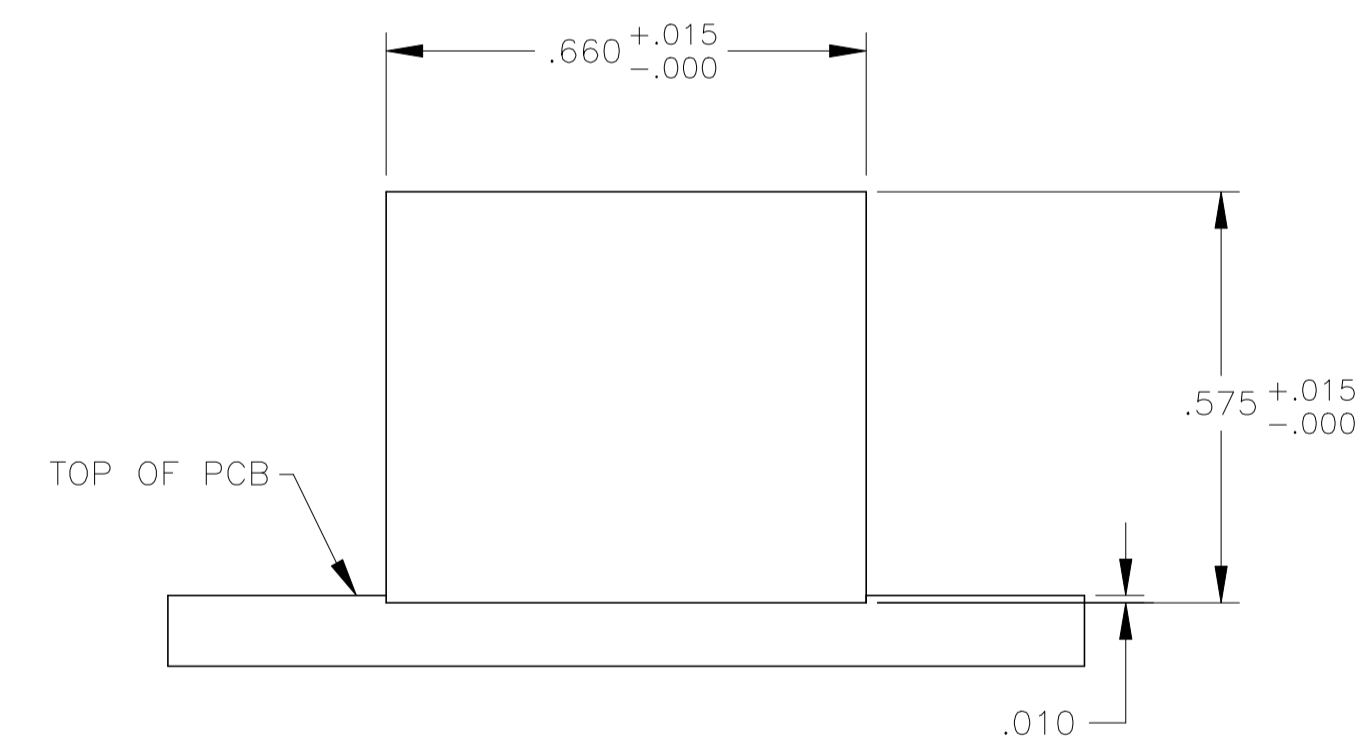
4. OPERATING TEMPERATURE: FROM 0°C TO +70°C.
5. INDICATED CONNECTIONS ARE FOR NIC CONFIGURATION. THE MAGNETICS ARE SYMMETRICAL TO SUPPORT AUTO-MDI/MDIX.
6. LEDs WITH BUILT-IN RESISTOR  
 LEDs ARE DRIVEN WITH 5V VOLTAGE AND THE MAX OPERATING CURRENT IS 20mA.  
 LED COLOR: DOMINANT WAVELENGTH (λD): GREEN 568 nm TYP @ VF=5V  
 FORWARD CURRENT (IF): GREEN 12mA TYP @ VF=5V  
 DOMINANT WAVELENGTH (λD): YELLOW 588 nm TYP @ VF=5V  
 FORWARD CURRENT (IF): YELLOW 13mA TYP @ VF=5V
7. TRP CONNECTOR LOGO, PART NUMBER, DATE CODE, COUNTRY OF ORIGIN AND AGENCY APPROVAL MARKING IN APPROXIMATE LOCATION SHOWN.
8. THESE PARTS ARE RECOMMENDED FOR WAVE SOLDERING PROCESS, PREHEAT TEMPERATURE IS 120°C TO 160°C, 120 SECONDS TO 180 SECONDS, PEAK WAVE SOLDERING TEMPERATURE IS 260°C MAX, 10 SECONDS MAX.



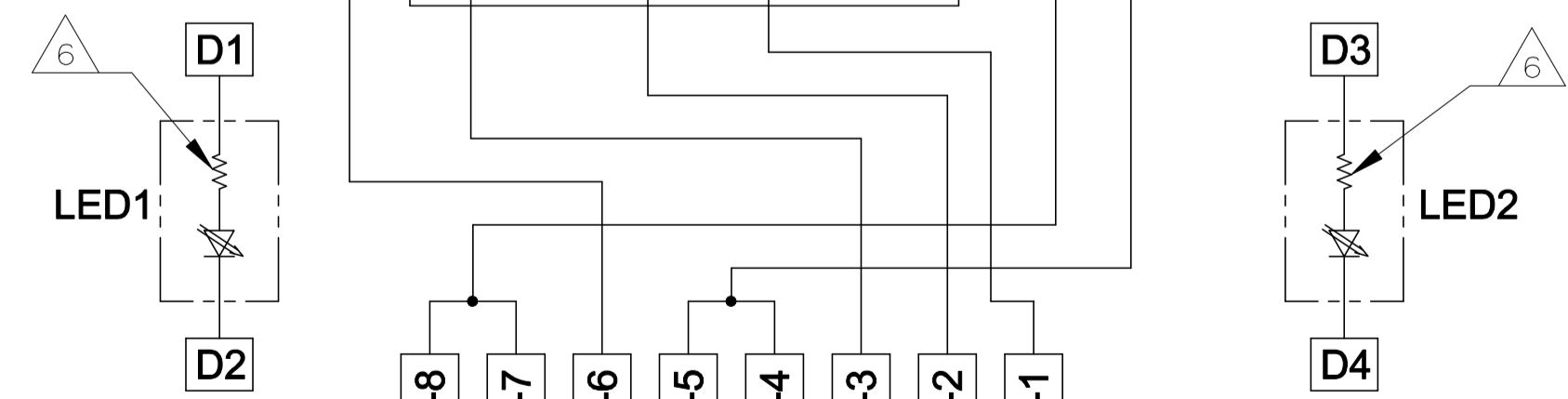
**ELECTRICAL:**



**Suggested PCB Layout (Component Side)**



**Suggested Panel Cutout**



**D1-D8 = RECTIFIER DIODE**  
 -FORWARD VOLTAGE, Vf = 1.2V MAX @ If= 0.5A  
 -FORWARD CURRENT, If = 0.5A MAX  
 -REVERSE VOLTAGE, Vr = 80V MAX

OBsolete	GRN/YEL	NO	GRN/YEL	NO	6605808-6
	YELLOW	YES	GREEN	YES	6605808-3
	GREEN	YES	GREEN	YES	6605808-2
OBsolete	GREEN	YES	YELLOW	YES	6605808-1
	LED1	250 OHMS RESISTOR	LED2	250 OHMS RESISTOR	PART NUMBER

THIS DRAWING IS A CONTROLLED DOCUMENT.		DWN L. VARELA - DOCK5 02MAR2005		trp CONNECTOR DONGGUAN CHINA	
DIMENSIONS: INCHES		CHK D. FAROLE 02MAR2005		DESC 1X1 7D15 10/100 POE TAB UP W/ LED	
TOLERANCES UNLESS OTHERWISE SPECIFIED:		APVD D. FAROLE 02MAR2005		MODEL NAME MAGJACK SINGLE POE	
0 PLG	± .005			SIZE CAGE CODE DRAWING NO RESTRICTED TO	
1 PLG	± .010			A1 C=6605808	
2 PLG	± .015			SCALE NTS SHEET 1 OF 1 REV F	
3 PLG	± .020				
4 PLG	± .025				
ANGLES	± .005				
APPLICATION SPEC					
PRODUCT SPEC 108-2100					