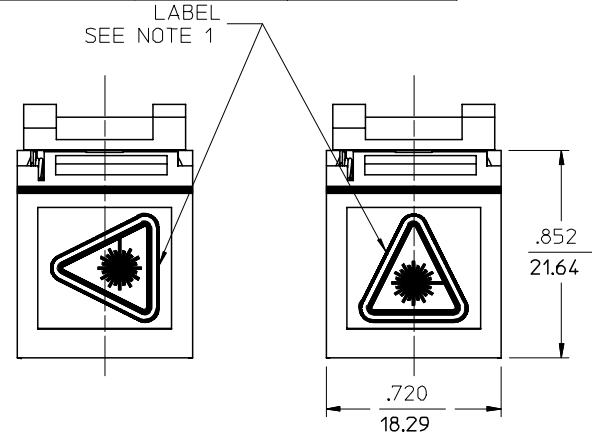
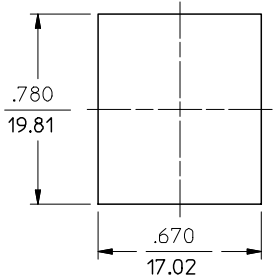


KIT P/N	BEZEL FRAME/DOOR COLOR	DOOR TYPE	SLEEVE MATERIAL
106004-3576	METAL/METAL	NO LOGO	ZIRCONIA
106004-3577			PHOSPHOR BRONZE
106004-3575	METAL/BLACK	MX LOGO	ZIRCONIA
106004-3578	METAL/METAL		PHOSPHOR BRONZE
106004-3579			PHOSPHOR BRONZE

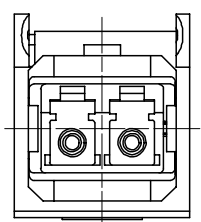


VIEW B

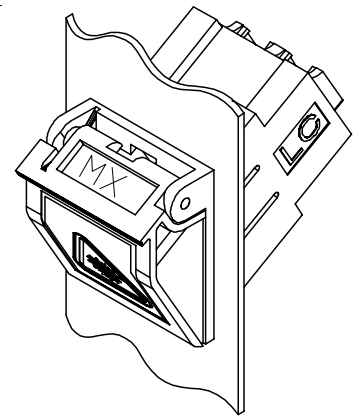
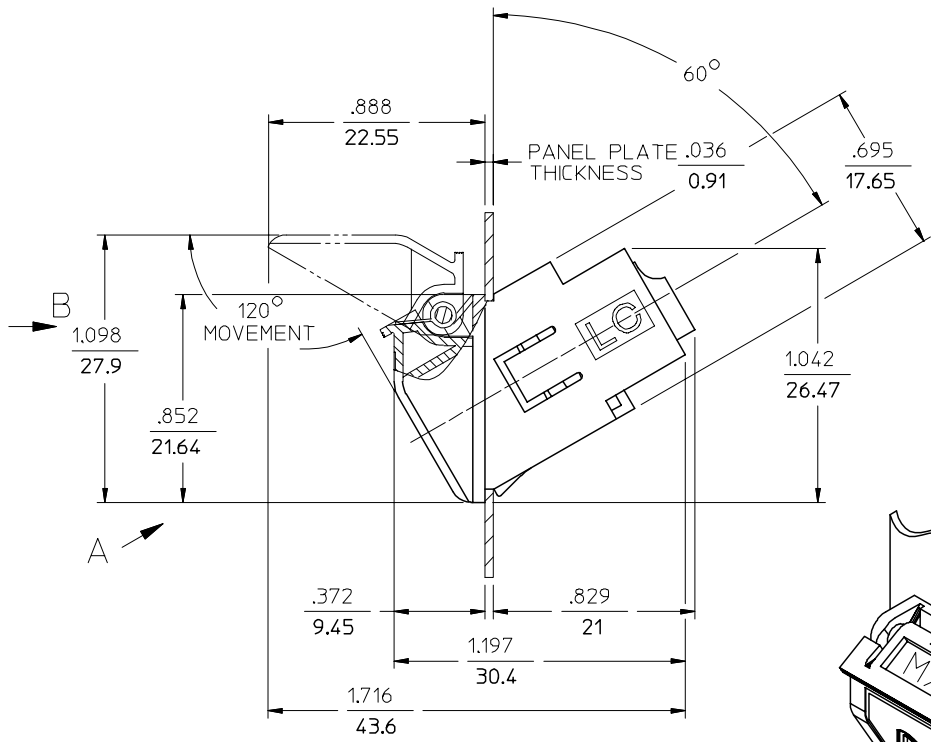
VIEW B



RECOMMENDED MOUNTING HOLE



VIEW A
DOOR REMOVED
ROTATED 30° CW



ISOMETRIC VIEW

NOTES:
1. LABEL TO BE INSTALLED BY CUSTOMER.

ENTER DESCRIPTION	QUALITY SYMBOLS
EC NO: MF2006-0262	▽=0
DRW:RPACIFICI 2005/12/01	▽=0
CHKD: 2005/12/01	
APPR:IGUMIN 2005/12/01	
REV	DESCRIPTION
A	

GENERAL TOLERANCES (UNLESS SPECIFIED)	
mm	INCH
4 PLACES ± .005	± .0004
3 PLACES ± .004	± .0003
2 PLACES ± .003	± .0002
1 PLACE ± .002	± .0001
ANGULAR ±1/2°	

DRAWN BY		DATE	
RPACIFICI		2005/10/20	
CHECKED BY		DATE	
APPROVED BY		DATE	
MATERIAL NO.		DOCUMENT NO.	
SEE TABLE		SD-106004-357X	
DRAFT WHERE APPLICABLE MUST REMAIN WITHIN DIMENSIONS		SHEET NO. 1 OF 1	

DIMENSION STYLE	
IN/MM	
SCALE	
2:1	
DESIGN UNITS	
INCH	
THIRD ANGLE PROJECTION	

TITLE	
METALIZED LC BEZEL ADAPTER KITS WITH PUSH TAB	
MOLEX INCORPORATED	
THIS DRAWING CONTAINS INFORMATION THAT IS PROPRIETARY TO MOLEX INCORPORATED AND SHOULD NOT BE USED WITHOUT WRITTEN PERMISSION	