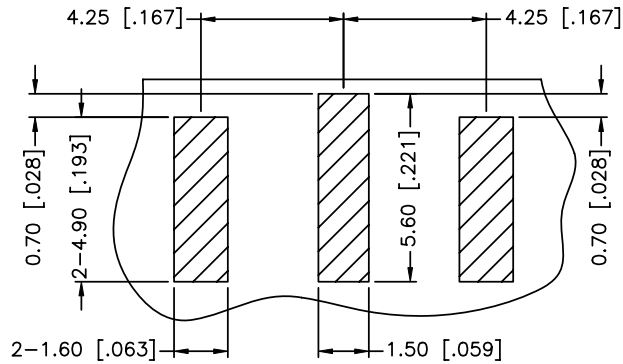
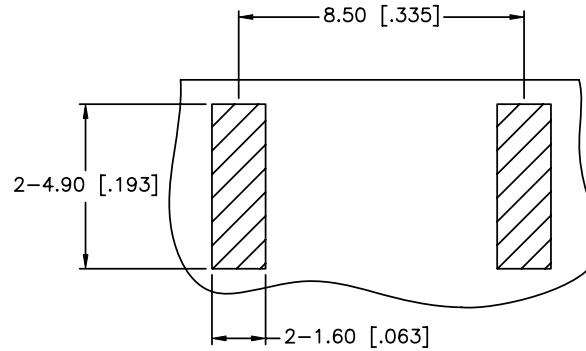


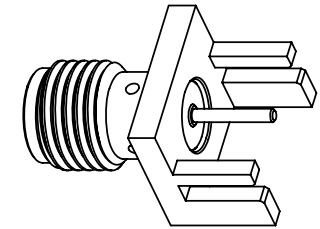
REV.	DATE	ECR NO.	DESCRIPTION
NC	03/13/12	XXXXXX	INITIAL RELEASE



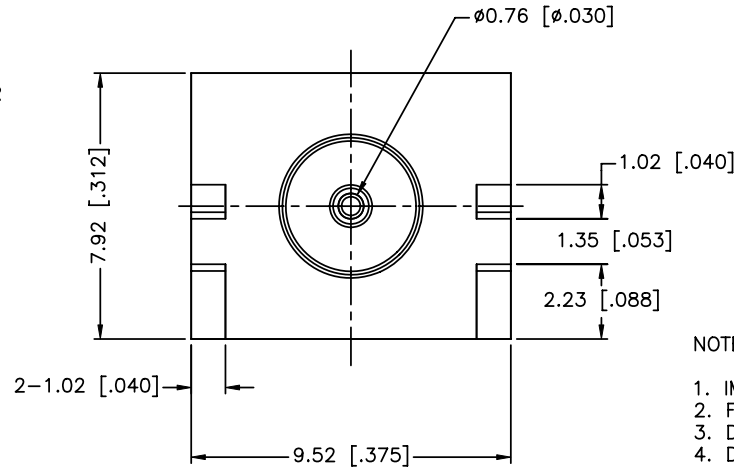
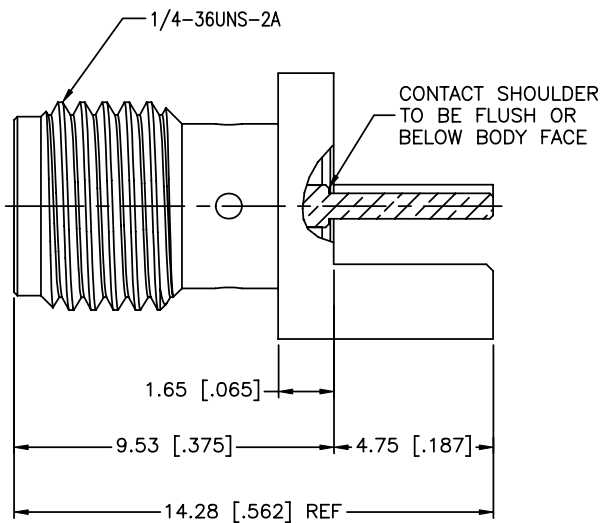
TOP VIEW



BOTTOM VIEW



RECOMMENDED PCB LAYOUT



NOTES:

1. IMPEDANCE: 50 OHM
2. FREQUENCY RANGE: DC-18 GHZ
3. DIELECTRIC WITHSTANDING VOLTAGE: 1000 VRMS, MIN.
4. DURABILITY: 500 CYCLES MIN.
5. TEMPERATURE RANGE: -65°C TO +165°C
6. CONTACT PIN MUST WITHSTAND 6 LBS MIN. AXIAL IN BOTH DIRECTIONS AND 4 IN-OZ MIN. RADIAL FORCE.
7. BOARD THICKNESS=1.19 MM [.047"]

UNLESS OTHERWISE SPECIFIED DIMENSIONS ARE IN MILLIMETERS. DIMENSIONS IN [] ARE IN INCHES AND FOR CUSTOMER REFERENCE ONLY.

UNLESS OTHERWISE SPECIFIED TOLERANCES FOR MILLIMETERS ARE:
0.5 - 8mm ± 0.20mm
8 - 30mm ± 0.40mm
30 - 120mm ± 0.50mm

UNLESS OTHERWISE SPECIFIED TOLERANCES FOR INCHES ARE:
.020 - .315 = ± 0.007"
.315 - 1.180 = ± 0.015"
1.180 - 4.724 = ± 0.020"

DO NOT SCALE DRAWING

APPROVALS	DATE
DRAWN I.XU	03/13/12
CHECKED	
ISSUED	
SHEET 1 OF 1	
CAD FILE	
C:/CONNEX/132410-10.DWG	

Amphenol Connex

PART DESCRIPTION

SMA END LAUNCH RECEPTACLE, FLUSH FLANGE
(.047" BOARD THICKNESS)

PART NO.

132410-10

DWG. NO.

132410-10.DWG

REV. NC

SIZE A

SCALE NA

DESCRIPTION	MATERIAL	FINISH	QTY
3 CONTACT PIN	BERYLLIUM COPPER	GOLD	1
2 INSULATOR	PTFE	NATURAL	1
1 BODY	BRASS	GOLD	1