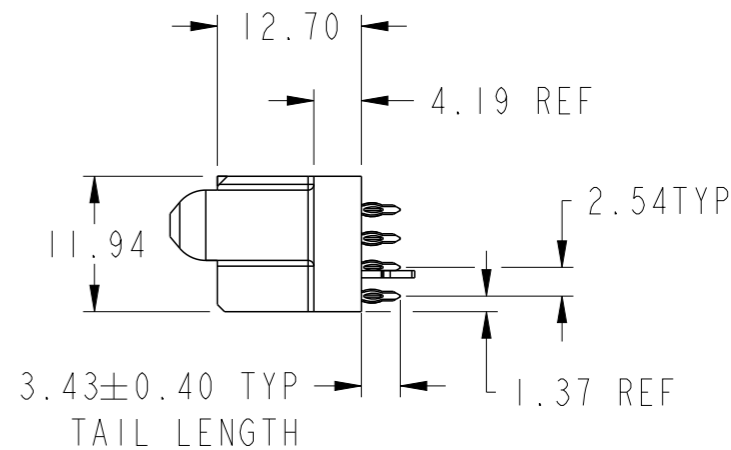
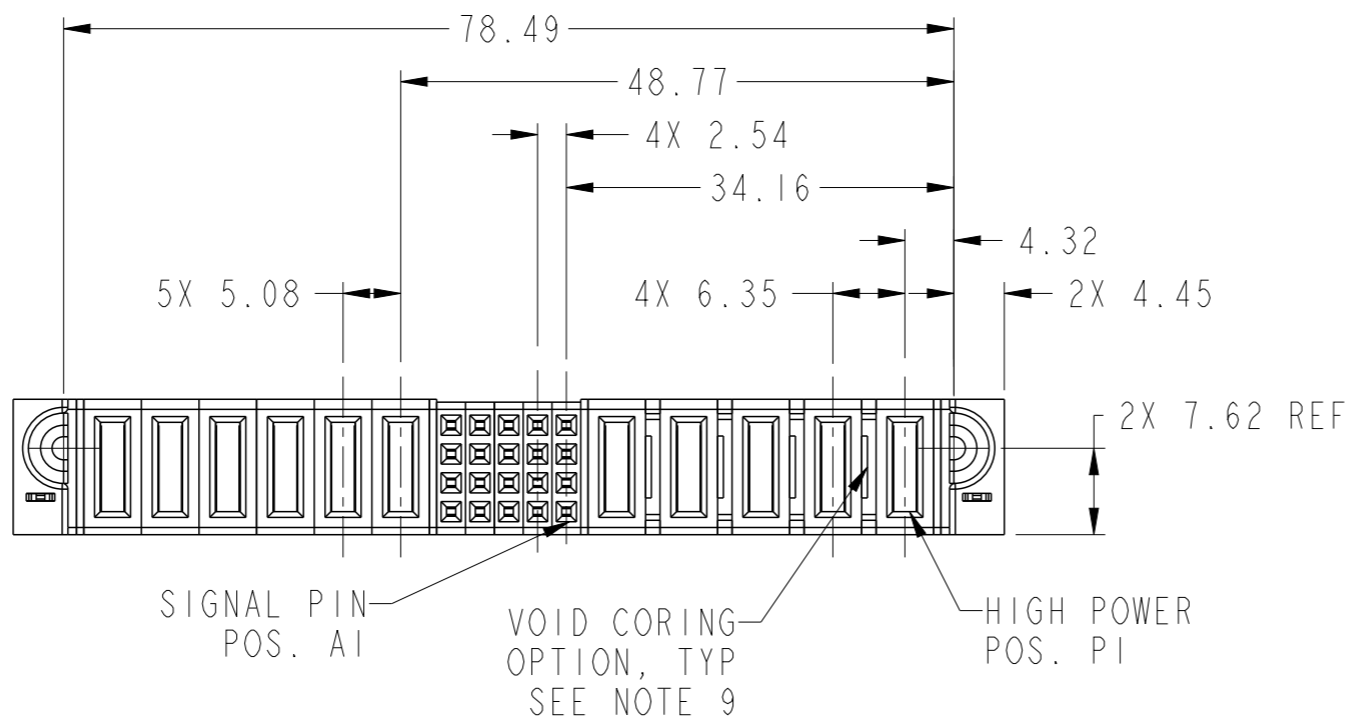
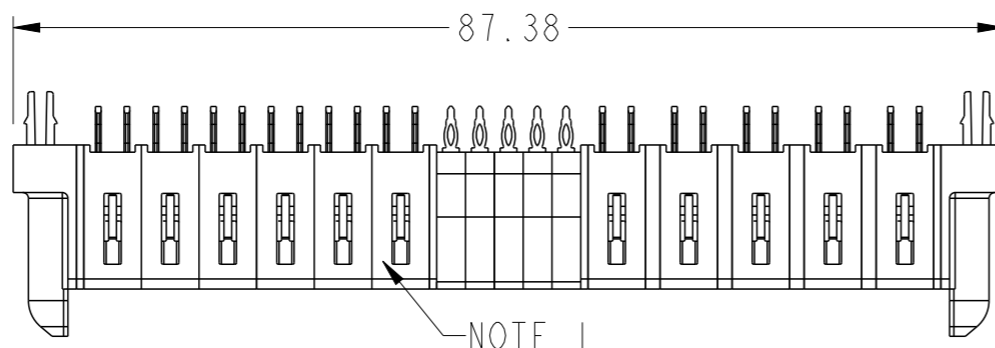


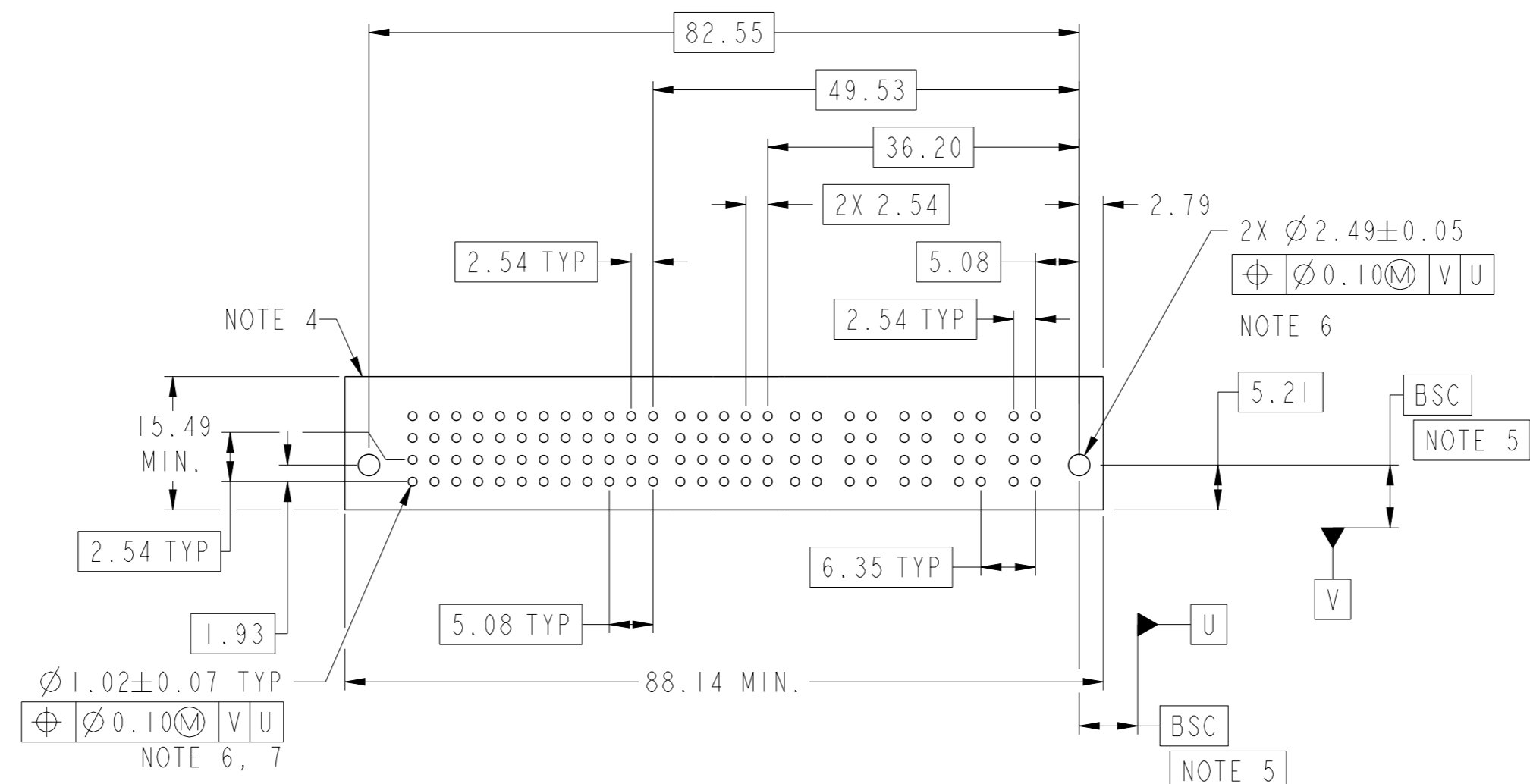
PRODUCT NUMBER SEE SHEET 2



spec ref		dr	Xie Bob	2014/04/10	projection	MM	size	A3	scale	3:2	
tolerance std		eng	Eddy Zeng	2014/05/06			ecn no		-		
ASME Y14.5		chr	Li-He	2014/05/06			rel level		Released		
TOLERANCES UNLESS OTHERWISE SPECIFIED		appr	Pei-Ming Zheng	2014/05/06	product family		PowerBlade+		-		
surface		linear	0.X	±0.50		title		5P + 20S + 6HP		dwg no 10106269-B005001	rev A
			0.XX	±0.25		VT PF RECEPTACLE					
			0.XXX	±0.10		cat. no.					
ASME Y14.5		angular	0°	±2°	www.fci.com		Product - Customer Drw		sheet 1 of 3		

PRODUCT NO.	ROWS	HIGH POWER						SIG					HIGH POWER							
		E1	P11	P10	P9	P8	P7	P6	5	4	3	2	1	P5	P4	P3	P2	P1	E2	
10106269-B005001LF	DCBA	HA	HG	HG	HG	HD	HD	HD	F	F	F	F	F	F	HG	HG	HG	HG	HD	HA

CODE	DESCRIPTION
F	STD SIGNAL CONTACT
HA	METAL HOLD DOWN
HD	MFBL HIGH POWER CONTACT (3.43)
HG	STD HIGH POWER CONTACT (3.43)



Copyright FCI.

dr	Xie Bob	2014/04/10	projection	MM	size	A3	scale	3:2
eng	Eddy Zeng	2014/05/06			ecn no		-	
chr	Li-He	2014/05/06			rel level		Released	
appr	Pei-Ming Zheng	2014/05/06	product family	PowerBlade+				
			title 5P + 20S + 6HP VT PF RECEPTACLE		dwg no 10106269-B005001		rev A	
www.fci.com			cat. no.		Product - Customer Drw		sheet 2 of 3	

A

B

C

D

A

B

C

D

NOTES:

- 1) "FCI", PART NUMBER AND DATE CODE TO BE MARKED ON THIS SURFACE.
THE MARK CAN BE OMITTED IF THERE IS NOT ENOUGH SPACE ON THIS SURFACE.
- 2) MATERIALS:
-HOUSING - GLASS FILLED WITH HIGH TEMP THERMOPLASTIC, UL94V-0.
-SIGNAL CONTACT - COPPER ALLOY.
-POWER CONTACT - HIGH CONDUCTIVITY COPPER ALLOY.
- 3) PLATING SPECIFICATION REFER TO FCI 10116351
- 4) DENOTES CONNECTOR KEEP OUT ZONE.
- 5) DATUM AND BASIC DIMENIONS WERE ESTABLISHED BY CUSTOMER.
- 6) ALL HOLE DIAMETERS ARE FINISHED HOLE SIZES.
- 7) 1.15 ± 0.025MM DRILLED HOLE PLATED WITH 0.00762MM MIN Sn
OVER 0.0254-0.0762MM Cu PLATING TO ACHIEVE A 1.02 ± 0.07MM HOLE.
- 8) PRODUCT SPECIFICATION REFER TO FCI GS-12-658.
APPLICATION SPECIFICATION REFER TO FCI GS-20-141.
PRODUCT PACKAGED IN TRAYS, REFER TO FCI GS-14-1502.
- 9) THE VOID CORING IN BETWEEN POWER MODULES, SIGNAL
MODULES AND END MODULES ARE OPTIONAL AND THE SHAPE
MAY BE DIFFERENT FOR OPTIMIZE THE MOLDING PROCESS. THE
VOID CORING WILL NOT EFFECT TO PRODUCT FUNCTION.



Copyright FCI.

dr	Xie Bob	2014/04/10	projection 	MM ←→	size	A3	scale	1:1	
eng	Eddy Zeng	2014/05/06			ecn no	-			
chr	Li-He	2014/05/06			rel level	Released			
appr	Pei-Ming Zheng	2014/05/06	product family	PowerBlade+					
		5P + 20S + 6HP			dwg no	10106269-B005001		rev	A
www.fci.com		cat. no.	Product - Customer Drw		sheet 3 of 3				