

# Customer Information Sheet

DRAWING No.: M80-897XXXX

SHEET 2 OF 2

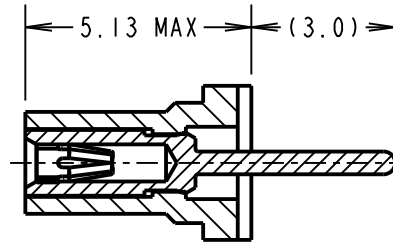
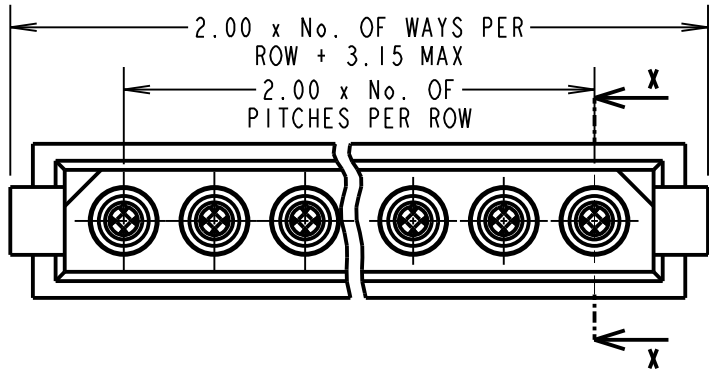
IF IN DOUBT - ASK

©

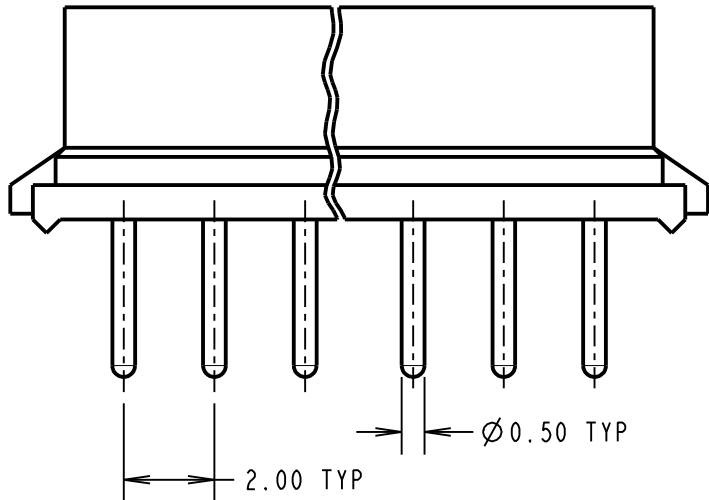
NOT TO SCALE

THIRD ANGLE PROJECTION

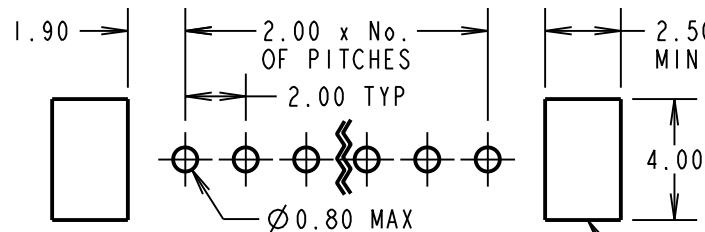
ALL DIMENSIONS IN mm



SECTION X-X



RECOMMENDED PCB LAYOUT



(OPTIONAL) HOLE REQUIRED FOR USE WITH LATCHED MALE CONNECTORS

**SPECIFICATIONS:**

**MATERIAL:**

MOULDING = GLASS-FILLED POLYESTER, UL94V-0, BLACK

CONTACT CLIP = BERYLLIUM COPPER

CONTACT SHELL = COPPER ALLOY

**FINISH:**

01 = 0.3µ GOLD CLIP, 3.5-5.0µ TIN/LEAD SHELL

05 = 0.3µ GOLD CLIP, 0.25-0.3µ GOLD SHELL

**ELECTRICAL:**

CURRENT RATING AT 25°C = 3.0A MAX

CURRENT RATING AT 85°C = 2.2A MAX

WORKING VOLTAGE = 800V AC/DC

VOLTAGE PROOF = 1200V AC/DC

CONTACT RESISTANCE = 25 mΩ MAX

INSULATION RESISTANCE = 100 MΩ MIN

**MECHANICAL:**

DURABILITY = 500 OPERATIONS

INSERTION FORCE (Ø0.5mm GAUGE) = 2.8N MAX

WITHDRAWAL FORCE (Ø0.5mm GAUGE) = 0.2N MIN

**ENVIRONMENTAL:**

TEMPERATURE RANGE = -55°C TO +125°C

**PACKING:**

TUBE

FOR COMPLETE SPECIFICATION, SEE COMPONENT SPECIFICATION C005XX (LATEST ISSUE)

ORDER CODE:

**M80-897XXXX**

TOTAL No. OF WAYS: \_\_\_\_\_  
02 TO 07, 17 & 22

FINISH \_\_\_\_\_

01 = GOLD CLIP, TIN/LEAD SHELL  
05 = GOLD CLIP, GOLD SHELL

BRITISH STANDARD

ORDER CODE: TO BS9525 F0033

**B5741-1XX-F-T-X**

TOTAL No. OF WAYS: \_\_\_\_\_  
02 TO 07, 17 & 22

FINISH: \_\_\_\_\_

0 = GOLD CLIP, TIN/LEAD SHELL  
2 = GOLD CLIP, GOLD SHELL

SB	13	02.03.12	11672
NAME	ISS.	DATE	C/NOTE
APPROVED: S.BENNETT			
CHECKED: S.FLOWER			
DRAWN: D.BECK			
CUSTOMER REF.:			
ASSEMBLY DRG:			

**HARWIN**

www.harwin.com  
technical@harwin.com

THIS DRAWING AND ANY INFORMATION OR DESCRIPTIVE MATTER SET OUT HEREON ARE CONFIDENTIAL AND COPYRIGHT PROPERTY OF THE HARWIN GROUP AND MUST NOT BE DISCLOSED, LOANED, COPIED OR USED FOR MANUFACTURING, TENDERING OR FOR ANY OTHER PURPOSE WITHOUT THEIR WRITTEN PERMISSION.

**TOLERANCES**

X. = ±1mm  
X.X = ±0.25mm  
X.XX = ±0.10mm  
X.XXX = ±0.01mm  
ANGLES = ±5°  
UNLESS STATED

**MATERIAL:**

SEE ABOVE

FINISH: SEE ABOVE

S/AREA: mm<sup>2</sup>

**TITLE:**

DATAMATE 2mm PITCH  
SIL VERTICAL PC TAIL  
SOCKET ASSEMBLY

DRAWING NUMBER:

**M80-897XXXX**

SHT  
2 OF 2