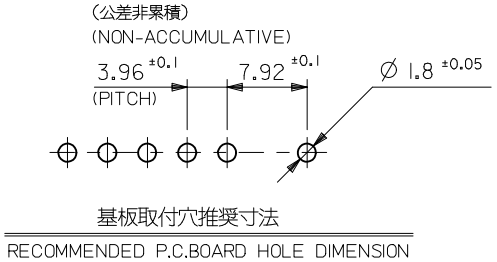
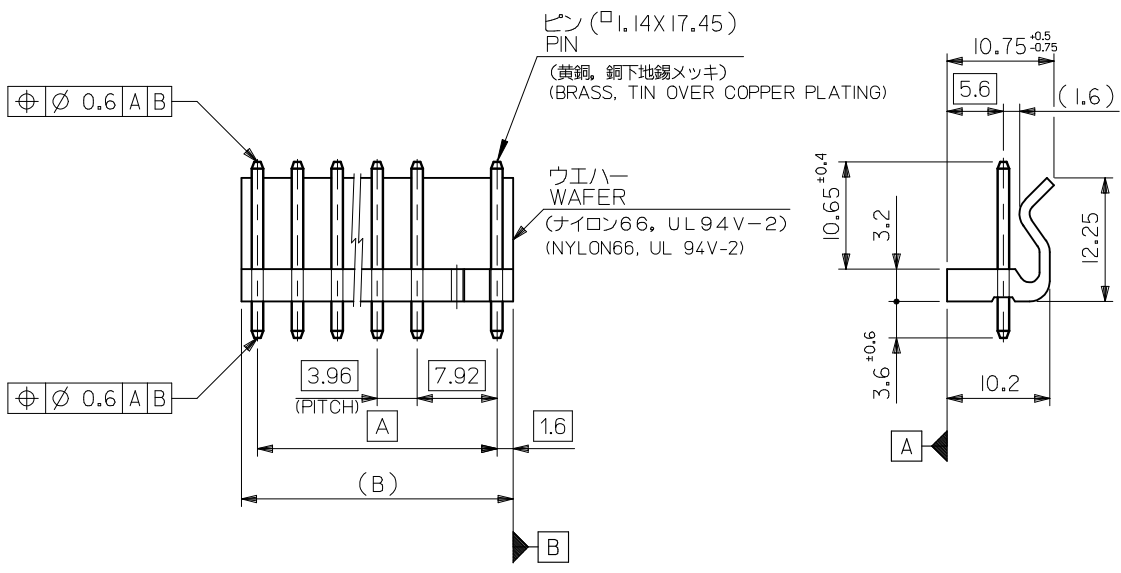
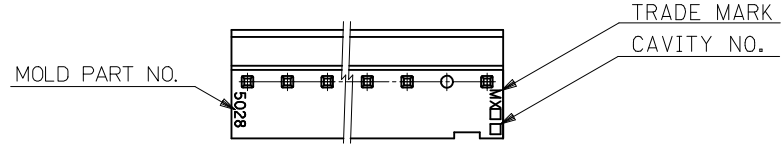


注記
NOTE

1. ウエハーのそりは、長さ25.4に対して0.24MAX.
CAMBER MUST BE 0.24 MAX. PER 25.4.



50.72	47.52	09-65-2129	5277-12A	12
42.8	39.6	▲ -2109	▲ -10A	10
38.84	35.64	-2099	-09A	9
34.88	31.68	-2089	-08A	8
30.92	27.72	-2079	-07A	7
26.96	23.76	-2069	-06A	6
23	19.8	-2059	-05A	5
19.04	15.84	-2049	-04A	4
15.08	11.88	▼ -2039	▼ -03A	3
11.12	7.92	09-65-2029	5277-02A	2
B	A	オーダー番号 (EDP NO.) ORDER NO. (EDP NO.)	ENG. NO.	極数 CKTS.

REVISED EC NO: J2016-0865 DRWN: MIYABE 2016/01/19 CHKD: KASAKAWA 2016/02/18 APPR: KANEKO 2016/03/18	GENERAL TOLERANCES (UNLESS SPECIFIED)		DIMENSION STYLE MM ONLY	SCALE 2:1	DESIGN UNITS METRIC	THIRD ANGLE PROJECTION
	10 UNDER	±0.2	DRAWN BY H. HIRAMOTO	DATE '88/09/29	TITLE KK 3.96/7.92 WAFER ASSY WITH LOCK	
	10 OVER 30 UNDER	±0.25	CHECKED BY M. FUKUSHIMA	DATE '91/06/26	MOLEX INCORPORATED	
	30 OVER	±0.3	APPROVED BY M. ENOMOTO	DATE '91/06/26	DOCUMENT NO. SD-5277-001	SHEET NO. 1 OF 1
REV	DESCRIPTION	ANGULAR ±3 °	MATERIAL NO.	SEE TABLE THIS DRAWING CONTAINS INFORMATION THAT IS PROPRIETARY TO MOLEX INCORPORATED AND SHOULD NOT BE USED WITHOUT WRITTEN PERMISSION		
DRAFT WHERE APPLICABLE MUST REMAIN WITHIN DIMENSIONS		SIZE A3				