

## Power Distribution Blocks

**WPDB 70**

**WPDB 70/35**

**WPDB 185**

**WPDB 185/35**

**WPDB 300**

# NEW



Weidmüller Power Distribution Blocks are not your typical distribution blocks: they are clearly designed with the future in mind. By using the best materials and the best technology, Weidmüller provides the safest and most innovative connections available in a wide area of industrial applications.

These DIN Rail mountable blocks distribute mains born power sources (50 to 1000 VAC, 75 to 1000 VDC), utilize large wire sizes, and of course, maintain finger-safe connections. In addition, these distribution blocks allow for multi-pole assembly, easily accommodating single, two- and three-phase grouping in a compact footprint.

You can minimize installation costs by combining power connections to the control cabinet through a single bus module instead of bulky and non-finger-safe traditional blocks.

Now you manage multiple load connections and a wide range of wire sizes. Combining application flexibility, economical installed cost, and safety features, the Weidmüller Power Distribution Blocks deliver power and performance—without compromising safety requirements.

Weidmüller Power Distribution Blocks are ideal for industrial applications, including:

- Machinery
- Material Handling
- Building/Installation
- Power Conditioning

### United States

W Interconnections, Inc.  
821 Southlake Blvd.  
Richmond, Virginia 23236  
Telephone: (800) 849-9343  
Facsimile: (804) 379-2593  
Email: [info@weidmuller.com](mailto:info@weidmuller.com)  
Website: [www.weidmuller.com](http://www.weidmuller.com)

### Canada

W Interconnections Canada, Inc.  
10 Spy Court  
Markham, Ontario L3R 5H6  
Telephone: (800) 268-4080  
Facsimile: (905) 475-2798  
Email: [info1@weidmuller.ca](mailto:info1@weidmuller.ca)  
Website: [www.weidmuller.ca](http://www.weidmuller.ca)

### Mexico

W Interconnections, S.A. de C.V.  
Ave. Ingenieros Civiles 204-B  
Conjunto Industrial Chachapa  
Chachapa Amozoc, Puebla  
72990, Mexico  
Telephone: 01 222 2866246/47/48  
Facsimile: 01 222 2866242

**Weidmüller** 

## Power Distribution Blocks

### WPDB 70 1-1 WPDB 70 1-1 AL



### WPDB 70/35 1-4 WPDB 70/35 1-4 AL



### WPDB 185 1-1 WPDB 185 1-1 AL



Representative photo

Type	Part No.
WPDB 70 1-1	<b>1879470000</b>
WPDB 70 1-1 AL	<b>1879460000</b>

Technical Data	
Housing material	PA 66/6
Flammability class	UL 94 V0
Conductor	WPDB 70 1-1: Copper (75°C Cu wire only) WPDB 70 1-1 AL: Aluminum (90°C Cu/Al wire)
Contact material	WPDB 70 1-1: Copper WPDB 70 1-1 AL: Aluminum
Contact plating	Zinc

Current Rating	
UL/CSA*	175 A at 600 V
VDE	175 A at 600 V

Line	
Wire gauge, kcmil/AWG	2/0...#14
Wire gauge, mm <sup>2</sup>	70...2.5
Number of poles	1

Load	
Wire gauge, kcmil/AWG	2/0...#14
Wire gauge, mm <sup>2</sup>	70...2.5
Number of poles	1

Operating Specifications	
Maximum temperature	100°C
Operating range	-10°C...+60°C
Storage temperature	-25°C...+60°C

Accessories	
SST WPDB (Accessory pin for fixing multi-pole block assemblies)	<b>1879490000</b>
WEW 35/3 (Pair of end brackets)	<b>1879390000</b>
VK WPDB 1 (Cap for spare 2/0 line connections)	<b>1879370000</b>
VK WPDB 2 (Cap for spare 350 kcmil line connections)	<b>1879380000</b>

Marking Tags	
KSW Strips, blank**	<b>1629970000</b>

\*Based on NEC table 310-16 for 75°C copper wire  
\*\*Pre-printed strips standard with product. Custom strips also available.

Type	Part No.
WPDB 70/35 1-4	<b>1879360000</b>
WPDB 70/35 1-4 AL	<b>1879480000</b>

Technical Data	
Housing material	PA 66/6
Flammability class	UL 94 V0
Conductor	WPDB 70/35 1-4: Copper (75°C Cu wire only) WPDB 70/35 1-4 AL: Aluminum (90°C Cu/Al wire)
Contact material	WPDB 70/35 1-4: Copper WPDB 70/35 1-4 AL: Aluminum
Contact plating	Zinc

Current Rating	
UL/CSA*	175 A at 600 V
VDE	175 A at 600 V

Line	
Wire gauge, kcmil/AWG	2/0...#14
Wire gauge, mm <sup>2</sup>	70...2.5
Number of poles	1

Load	
Wire gauge, kcmil/AWG	#2...#14
Wire gauge, mm <sup>2</sup>	35...2.5
Number of poles	4

Operating Specifications	
Maximum temperature	100°C
Operating range	-10°C...+60°C
Storage temperature	-25°C...+60°C

Accessories	
SST WPDB (Accessory pin for fixing multi-pole block assemblies)	<b>1879490000</b>
WEW 35/3 (Pair of end brackets)	<b>1879390000</b>
VK WPDB 1 (Cap for spare 2/0 line connections)	<b>1879370000</b>
VK WPDB 2 (Cap for spare 350 kcmil line connections)	<b>1879380000</b>

Marking Tags	
KSW Strips, blank**	<b>1629970000</b>

\*Based on NEC table 310-16 for 75°C copper wire  
\*\*Pre-printed strips standard with product. Custom strips also available.

Type	Part No.
WPDB 185 1-1	<b>1879410000</b>
WPDB 185 1-1 AL	<b>1879400000</b>

Technical Data	
Housing material	PA 66/6
Flammability class	UL 94 V0
Conductor	WPDB 185 1-1: Copper (75°C Cu wire only) WPDB 185 1-1 AL: Aluminum (90°C Cu/Al wire)
Contact material	WPDB 185 1-1: Copper WPDB 185 1-1 AL: Aluminum
Contact plating	Zinc

Current Rating	
UL/CSA*	335 A at 600 V
VDE	335 A at 600 V

Line	
Wire gauge, kcmil/AWG	400...#6
Wire gauge, mm <sup>2</sup>	185...16
Number of poles	1

Load	
Wire gauge, kcmil/AWG	400...#6
Wire gauge, mm <sup>2</sup>	185...16
Number of poles	1

Operating Specifications	
Maximum temperature	100°C
Operating range	-10°C...+60°C
Storage temperature	-25°C...+60°C

Accessories	
SST WPDB (Accessory pin for fixing multi-pole block assemblies)	<b>1879490000</b>
WEW 35/3 (Pair of end brackets)	<b>1879390000</b>
VK WPDB 1 (Cap for spare 2/0 line connections)	<b>1879370000</b>
VK WPDB 2 (Cap for spare 350 kcmil line connections)	<b>1879380000</b>

Marking Tags	
KSW Strips, blank**	<b>1629970000</b>

\*Based on NEC table 310-16 for 75°C copper wire  
\*\*Pre-printed strips standard with product. Custom strips also available.

## Power Distribution Blocks

### WPDB 185/35 1-8 WPDB 185/35 1-8 AL



### WPDB 300 2-2 WPDB 300 2-2 AL



Representative photo

Type	Part No.
WPDB 185/35 1-8	<b>1879430000</b>
WPDB 185/35 1-8 AL	<b>1879420000</b>

Technical Data	
Housing material	PA 66/6
Flammability class	UL 94 V0
Conductor	WPDB 185/35 1-8: Copper (75°C Cu wire only) WPDB 185/35 1-8 AL: Aluminum (90°C Cu/Al wire)
Contact material	WPDB 185/35 1-8: Copper WPDB 185/35 1-8 AL: Aluminum
Contact plating	Zinc

Current Rating	
UL/CSA*	310 A at 600 V
VDE	310 A at 600 V

Line	
Wire gauge, kcmil/AWG	350...#6 / 2/0...#14
Wire gauge, mm <sup>2</sup>	185...16 / 70...2.5
Number of poles	1

Load	
Wire gauge, kcmil/AWG	#2...#14
Wire gauge, mm <sup>2</sup>	35...2.5
Number of poles	8

Operating Specifications	
Maximum temperature	100°C
Operating range	-10°C...+60°C
Storage temperature	-25°C...+60°C

Accessories	
SST WPDB (Accessory pin for fixing multi-pole block assemblies)	<b>1879490000</b>
WEW 35/3 (Pair of end brackets)	<b>1879390000</b>
VK WPDB 1 (Cap for spare 2/0 line connections)	<b>1879370000</b>
VK WPDB 2 (Cap for spare 350 kcmil line connections)	<b>1879380000</b>

Marking Tags	
KSW Strips, blank**	<b>1629970000</b>

\*Based on NEC table 310-16 for 75°C copper wire  
\*\*Pre-printed strips standard with product. Custom strips also available.

Type	Part No.
WPDB 300 2-2	<b>1879450000</b>
WPDB 300 2-2 AL	<b>1879440000</b>

Technical Data	
Housing material	PA 66/6
Flammability class	UL 94 V0
Conductor	WPDB 300 2-2: Copper (75°C Cu wire only) WPDB 300 2-2 AL: Aluminum (90°C Cu/Al wire)
Contact material	WPDB 300 2-2: Copper WPDB 300 2-2 AL: Aluminum
Contact plating	Zinc

Current Rating	
UL/CSA*	840 A at 600 V
VDE	840 A at 600 V

Line	
Wire gauge, kcmil/AWG	600...#4
Wire gauge, mm <sup>2</sup>	300...25
Number of poles	2

Load	
Wire gauge, kcmil/AWG	600...#4
Wire gauge, mm <sup>2</sup>	300...25
Number of poles	2

Operating Specifications	
Maximum temperature	100°C
Operating range	-10°C...+60°C
Storage temperature	-25°C...+60°C

Accessories	
SST WPDB (Accessory pin for fixing multi-pole block assemblies)	<b>1879490000</b>
WEW 35/3 (Pair of end brackets)	<b>1879390000</b>
VK WPDB 2 (Cap for spare 350 kcmil line connections)	<b>1879380000</b>
VK WPDB 3 (Cap for spare 600 kcmil line connections)	<b>1880060000</b>

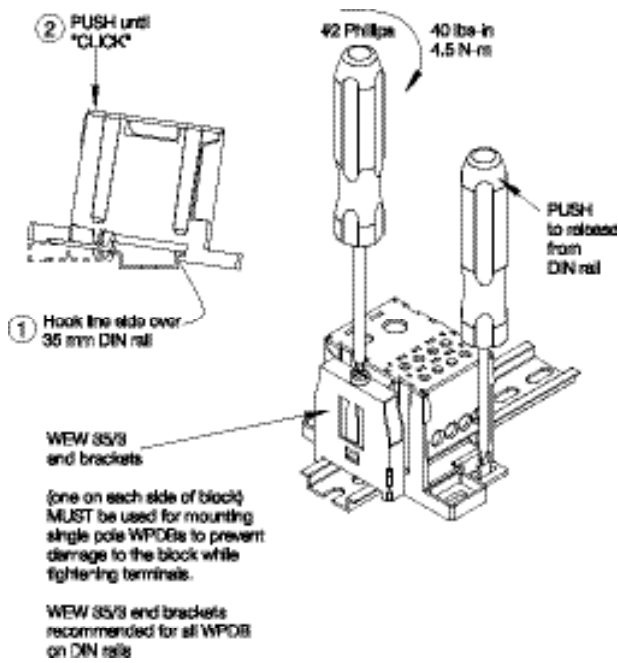
Marking Tags	
KSW Strips, blank**	<b>1629970000</b>

\*Based on NEC table 310-16 for 75°C copper wire  
\*\*Pre-printed strips standard with product. Custom strips also available.

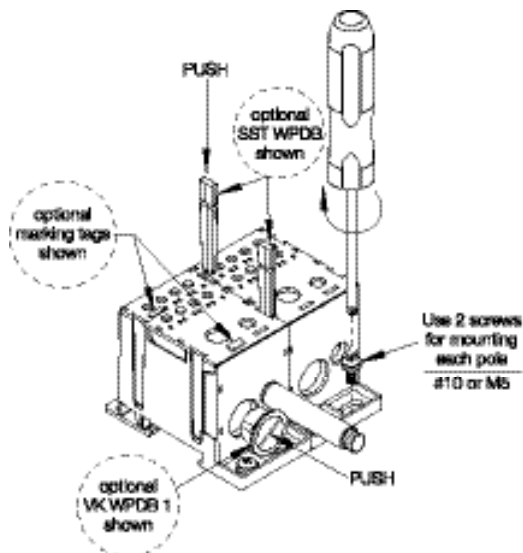
# Power Distribution Blocks

## Mounting Instructions

### DIN Rail Mounting



### Panel Mounting



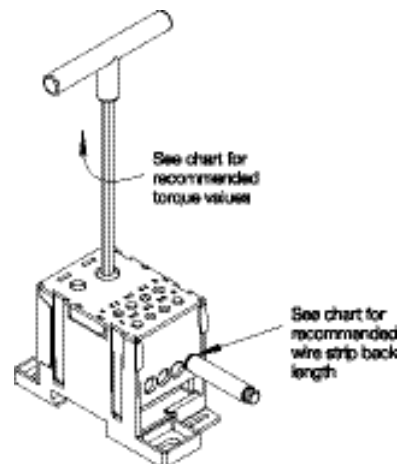
## Tightening Torque Table

With recommended strip back lengths to maintain IP20 rating

Part No.	Product Description	Wire Hole Range	Wire Strip Back Length	Hex Driver Size	Wire Size*	Torque**		
1879460000 1879470000	WPDB 70 1-1 AL WPDB 70 1-1	2/0...#14 (70...2.5 mm <sup>2</sup> )	0.75 in (19.1 mm)	5 mm	2/0...#1 (70...50 mm)	100 lbs-in (11.4 N-m)		
					#2...#6 (35...16 mm)	80 lbs-in (9 N-m)		
					#8...#14 (10...2.5 mm)	35 lbs-in (3.9 N-m)		
1879480000 1879360000	WPDB 70/35 1-4 AL WPDB 70/35 1-4	2/0...#14 (70...2.5 mm <sup>2</sup> )	1 in (25.4 mm)	5 mm	2/0...#1 (70...50 mm)	100 lbs-in (11.4 N-m)		
					#2...#6 (35...16 mm)	80 lbs-in (9 N-m)		
					#8...#14 (10...2.5 mm)	35 lbs-in (3.9 N-m)		
				#2...#14 (35...2.5 mm <sup>2</sup> )	0.625 in (15.9 mm)	4 mm	#2...#6 (35...16 mm)	80 lbs-in (9 N-m)
							#8...#14 (10...2.5 mm)	35 lbs-in (3.9 N-m)
1879420000 1879430000	WPDB 185/35 1-8 AL WPDB 185/35 1-8	350...#6 (35...2.5 mm <sup>2</sup> )	1.125 in (28.5 mm)	8 mm	350 kcmil...3/0 (185...95 mm)	200 lbs-in (22.6 N-m)		
					2/0...#1 (70...50 mm)	100 lbs-in (11.4 N-m)		
					#2...#6 (35...16 mm)	80 lbs-in (9 N-m)		
				2/0...#14 (70...2.5 mm <sup>2</sup> )	0.875 in (22.2 mm)	5 mm	2/0...#1 (70...50 mm)	100 lbs-in (11.4 N-m)
							#2...#6 (35...16 mm)	80 lbs-in (9 N-m)
							#8...#14 (10...2.5 mm)	35 lbs-in (3.9 N-m)
				#2...#14 (35...2.5 mm <sup>2</sup> )	0.625 in (15.9 mm)	4 mm	#2...#6 (35...16 mm)	80 lbs-in (9 N-m)
							#8...#14 (10...2.5 mm)	35 lbs-in (3.9 N-m)
1879400000 1879410000	WPDB 185 1-1 AL WPDB 185 1-1	400...#6 (185...16 mm <sup>2</sup> )	1.3 in (33 mm)	10 mm	400 kcmil...00 (185...70 mm)	220 lbs-in (24.9 N-m)		
					0...#2 (50...35 mm)	170 lbs-in (19.2 N-m)		
					#3...#6 (25...16 mm)	130 lbs-in (14.7 N-m)		
1879440000 1879450000	WPDB 300 2-2 AL WPDB 300 2-2	600...#4 (300...25 mm <sup>2</sup> )	1.3 in (33 mm)	10 mm	600...500 kcmil (300...240 mm)	310 lbs-in (35.1 N-m)		
					400 kcmil...00 (185...70 mm)	220 lbs-in (24.9 N-m)		
					0...#2 (50...35 mm)	170 lbs-in (19.2 N-m)		
					#3...#4 (25 mm)	130 lbs-in (14.7 N-m)		

\*Wire sizes based on AWG/kcmil standards with closest commercially available mm size.

\*\*Torque values -0, +10%.

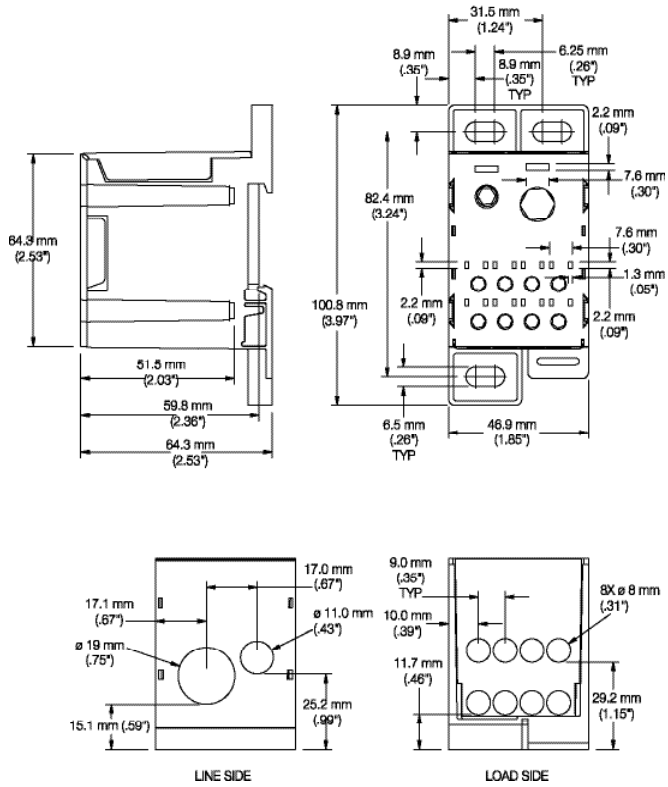


# Power Distribution Blocks

## Housing Dimensions

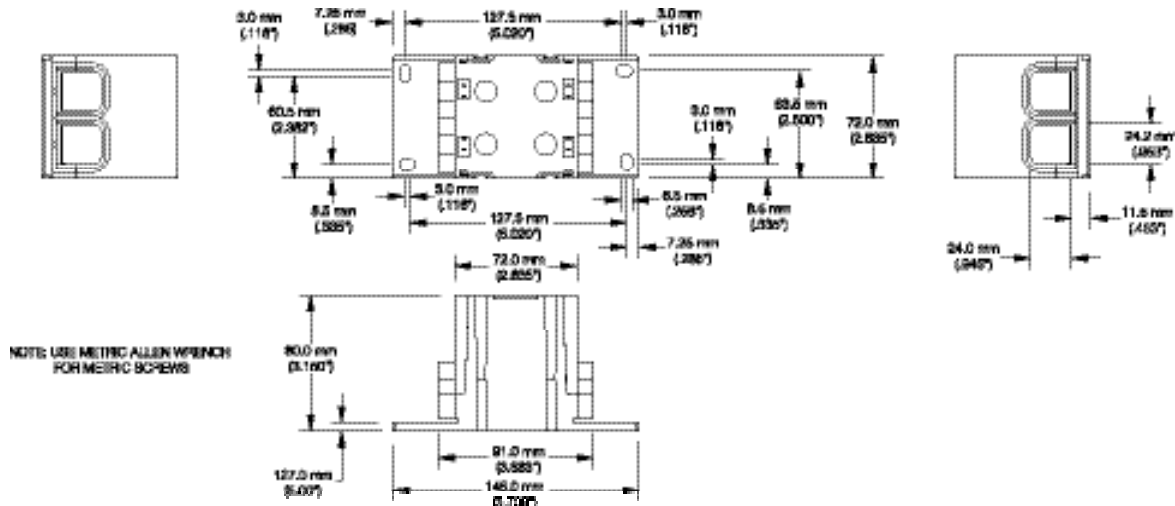
WPDB 185/35 1-8

WPDB 185/35 1-8 AL



WPDB 300 2-2

WPDB 300 2-2 AL

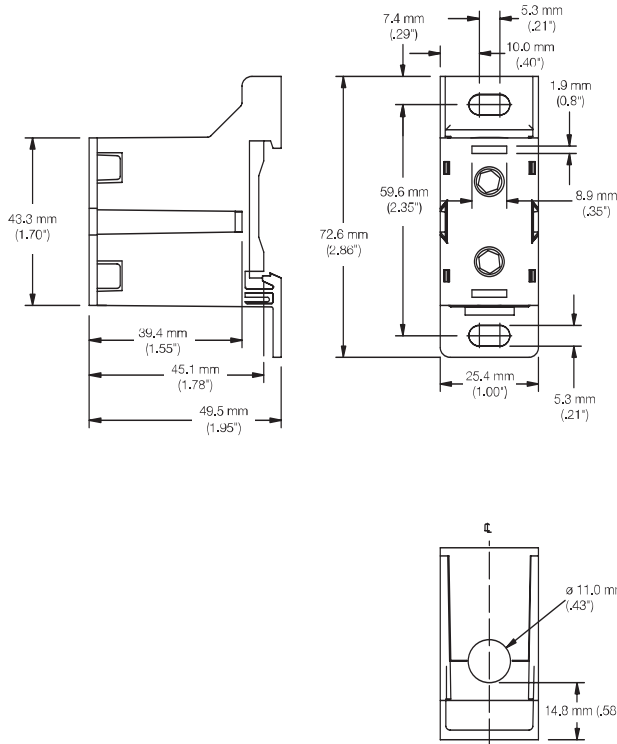


# Power Distribution Blocks

## Housing Dimensions

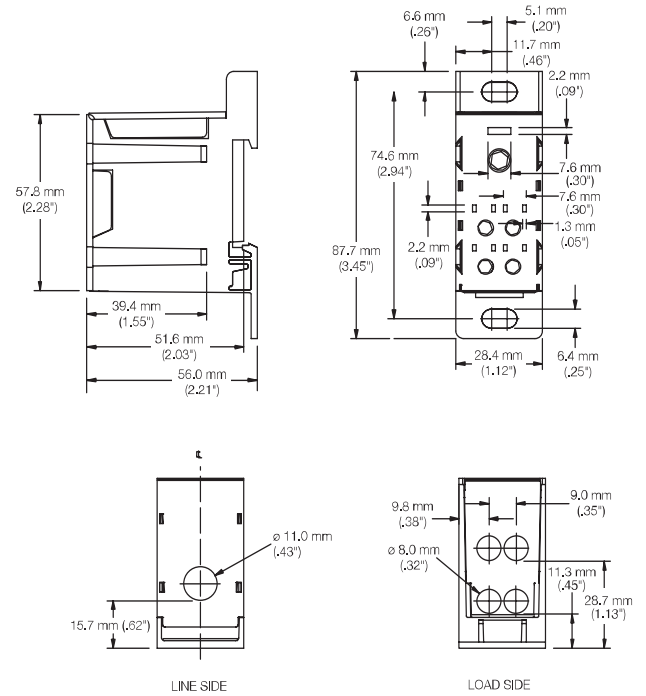
### WPDB 70 1-1

### WPDB 70 1-1 AL



### WPDB 70/35 1-4

### WPDB 70/35 1-4 AL



### WPDB 185 1-1

### WPDB 185 1-1 AL

