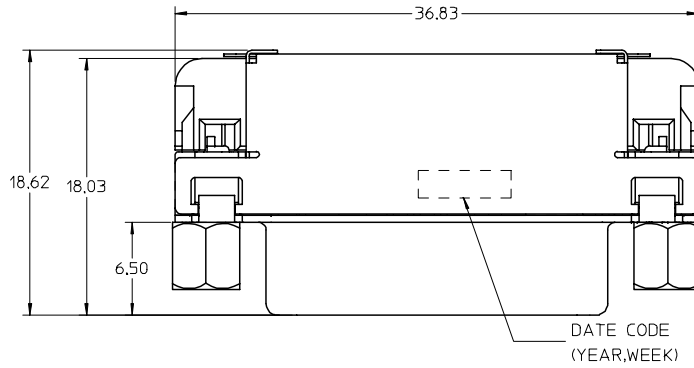


J
I
H
G
F
E
D
C
B
A

J
I
H
G
F
E
D
C
B
A



NOTES:

1.MATERIALS:

- FRONT SHIELD -- DEEP DRAW STEEL.
- BACK SHIELD -- STAINLESS STEEL.
- HOUSING --GLASS FILLED POLYMER,WHITE/NATURE,UL 94V-0.
- TAIL ALIGNER -- GLASS FILLED POLYMER,WHITE/NATURE,UL 94V-0.
- CONTACT -- COPPER ALLOY.
- MICROCROSS GROUND -- COPPER ALLOY.

2.PLATING : SEE SHEET 2

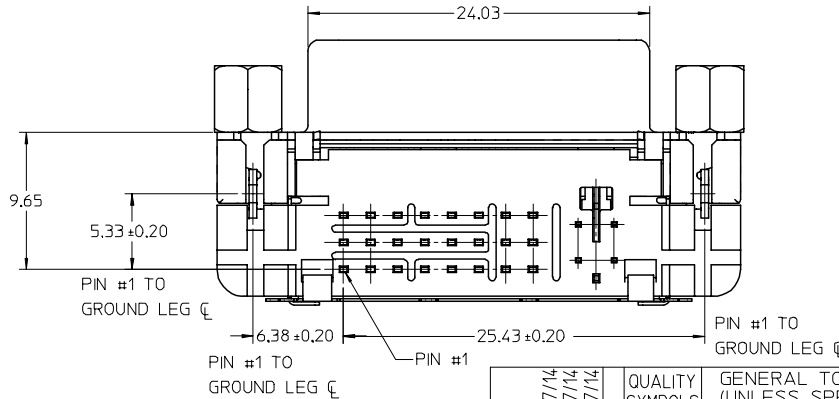
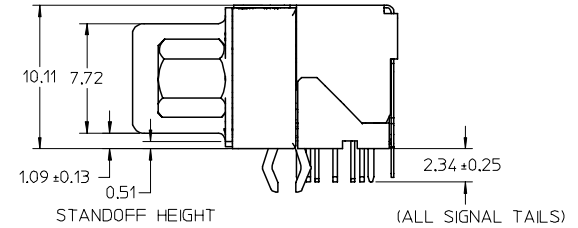
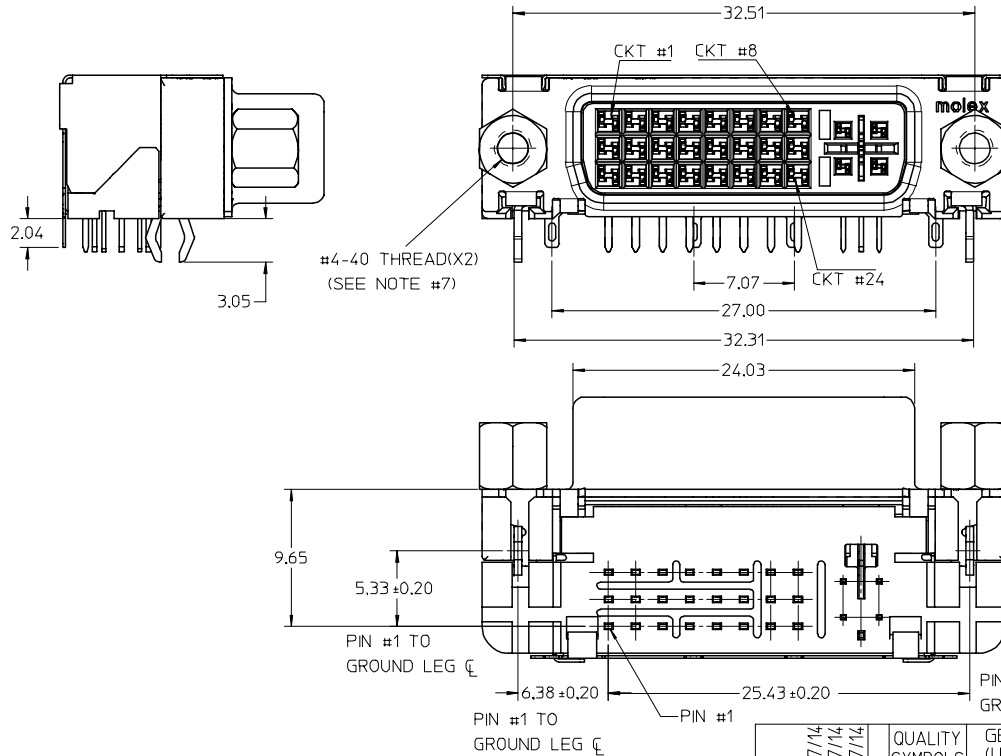
3.PRODUCT CONFORMS TO MOLEX PRODUCT SPECIFICATION NUMBER PS-74320-001

4.SEE SHEET 2 FOR RECOMMENDED PANEL CUT-OUT AND P.C.B.LAYOUT.

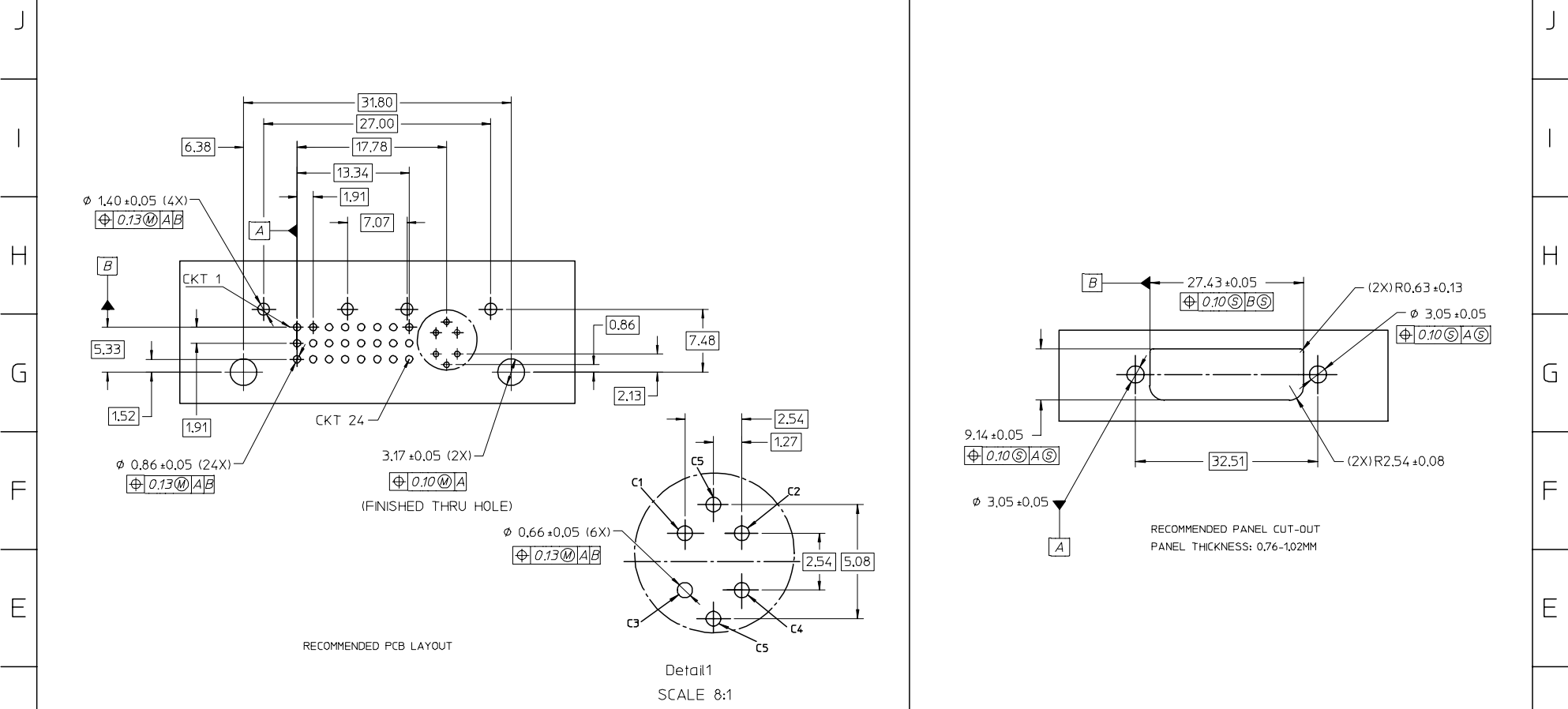
5.PARTS WILL BE PACKAGED IN TRAYS PER PK-74320-044.

6.PRODUCT CONFIRMS TO DDWG DVI SPECIFICATION,REFER TO THIS SPECIFICATION FOR CONNECTOR MATING DIMENSIONS.

7.MOUNTING HARDWARE IS MOLEX P/N 88780-6066.REFER TO PRODUCT SPECIFICATION NUMBER PS-74320-001 FOR THE APPLICATION TORQUE REQUIREMENT FOR ASSEMBLING MOUNTING HARDWARE.



NEW RELEASE EC NO: SH2005-0004 DRAWN: DXUE 2004/07/14 CHKD: 2004/07/14 APPR: YTYAP 2004/07/14	DESCRIPTION REV	QUALITY SYMBOLS	GENERAL TOLERANCES (UNLESS SPECIFIED)	SCALE 4:1	DESIGN UNITS METRIC	THIRD ANGLE PROJECTION	REVISE ON CAD ONLY																
		▽ - 0 ◻ - 0	<table border="1"> <thead> <tr> <th></th> <th>mm</th> <th>INCH</th> </tr> </thead> <tbody> <tr> <td>4 PLACES</td> <td>± ---</td> <td>± ---</td> </tr> <tr> <td>3 PLACES</td> <td>± ---</td> <td>± ---</td> </tr> <tr> <td>2 PLACES</td> <td>± 0.25</td> <td>± ---</td> </tr> <tr> <td>1 PLACE</td> <td>± 0.25</td> <td>± ---</td> </tr> </tbody> </table>		mm	INCH	4 PLACES	± ---	± ---	3 PLACES	± ---	± ---	2 PLACES	± 0.25	± ---	1 PLACE	± 0.25	± ---	DIMENSION STYLE MM ONLY	TITLE	DVI-I RIGHT ANGLE RECEPTACLE CONNECTOR WITH SCREW AND SHIELDING		
			mm	INCH																			
		4 PLACES	± ---	± ---																			
3 PLACES	± ---	± ---																					
2 PLACES	± 0.25	± ---																					
1 PLACE	± 0.25	± ---																					
DRAFT WHERE APPLICABLE MUST REMAIN WITHIN DIMENSIONS			APPROVED BY DATE CHECKED BY DATE	MOLEX INCORPORATED																			
			MATERIAL NO. 74320-9133 DOCUMENT NO. SD-74320-046		SHEET NO. 1 OF 2																		



PLATING OPTIONS:
 PLATING OPTION #1:
 FRONT SHIELD -- 150u"/3.75um MIN, BRIGHT TIN OVER
 50u"/1.27um MIN, NICKEL OVER COPPER FLASH.
 BACK SHIELD -- 50u"/1.27um MIN, BRIGHT TIN OVER
 50u"/1.27um MIN, NICKEL OVER COPPER FLASH.

 .075"/1.91mm CONTACTS -- 30u"/0.75um MIN, SELECT GOLD AND
 100u"/2.50um MIN, SELECT TIN
 OVER 50u"/1.27um MIN, NICKEL OVERALL.
 .100"/2.54mm CONTACTS -- 30u"/0.75um MIN, SELECT GOLD AND
 100u"/2.50um MIN, SELECT TIN,
 OVER 50u"/1.27um MIN, NICKEL OVERALL.
 MICROCROSS GROUND -- 30u"/0.75um MIN, SELECT GOLD AND
 100u"/2.50um MIN, SELECT TIN,
 OVER 50u"/1.27um MIN, NICKEL OVERALL.

NEW RELEASE EC NO: SH2005-0004 DRWN:DXUE 2004/07/14 CHKD: 2004/07/14 APPR:YTYAP 2004/07/14	DESCRIPTION REV	QUALITY SYMBOLS	GENERAL TOLERANCES (UNLESS SPECIFIED)		SCALE 4:1	DESIGN UNITS METRIC	THIRD ANGLE PROJECTION	REVISE ON CAD ONLY	
		▼ -0 ▽ -0		mm	INCH	DIMENSION STYLE MM ONLY		TITLE DVI-I RIGHT ANGLE RECEPTACLE CONNECTOR WITH SCREW AND SHIELDING	
			4 PLACES	± ---	± ---	DRAWN BY DXUE	DATE 2004/7/9	MATERIAL NO. 74320-9133	
			3 PLACES	± ---	± ---	CHECKED BY	DATE	DOCUMENT NO. SD-74320-046	SHEET NO. 2 OF 2
		2 PLACES	± 0.25	± ---	APPROVED BY				
		1 PLACE	± 0.25	± ---	DATE				
ANGULAR ±1/2°			DRAFT WHERE APPLICABLE		THIS DRAWING CONTAINS INFORMATION THAT IS PROPRIETARY TO MOLEX INCORPORATED AND SHOULD NOT BE USED WITHOUT WRITTEN PERMISSION				
MUST REMAIN WITHIN DIMENSIONS									