

5

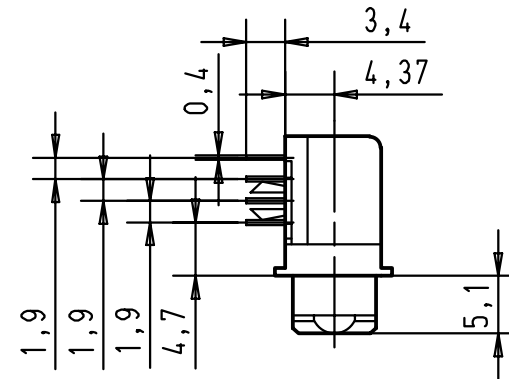
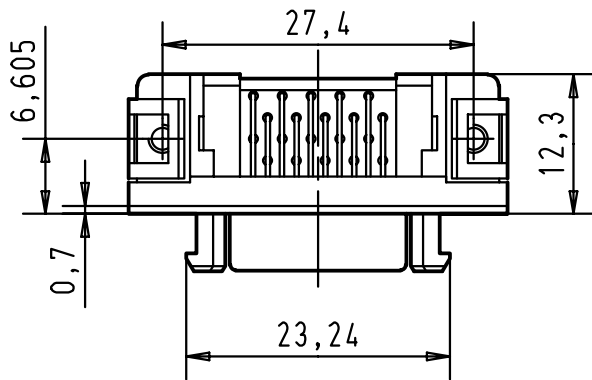
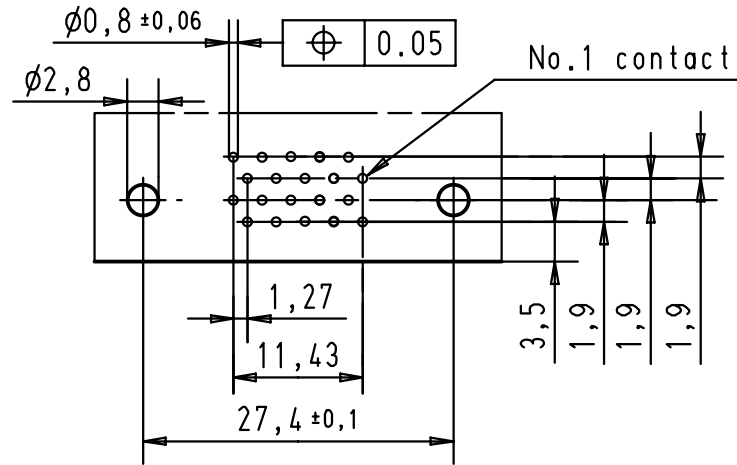
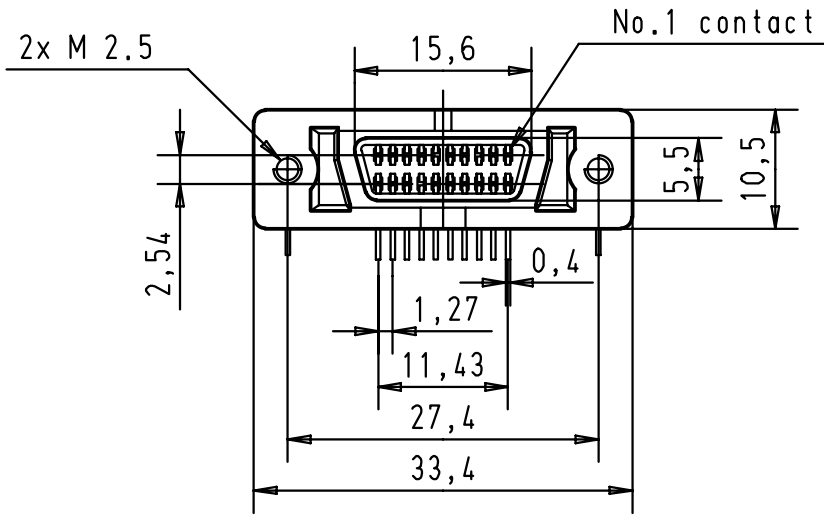
4



3

2

1

Printed board layout
Component side



				Dat.	Name	 All Dim. in mm Orig. Size DIN A 4	har.mik® I/O pin/socket 20 poles female connector with angled solder pins, board lock, fixed latching, panel fixing 2x M2,5	Maßstab/ Scale 1,5:1
			Detail.	21-JUN-01	SG			
			Insp.					
			Stand.					
29686	21-JUN-01	SG	HARTING EURL F-95972 Paris				TB 60 01 020 5140 Sub.	Blatt/ Page 1 / 1
Mod.	Dat.	Name						