

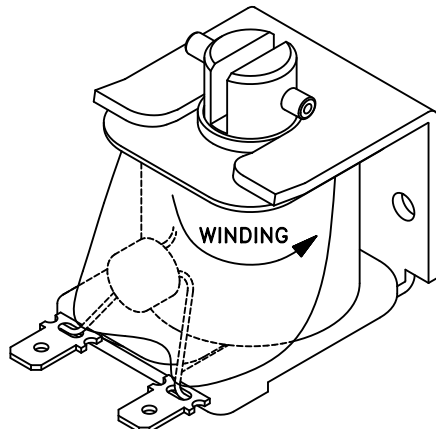
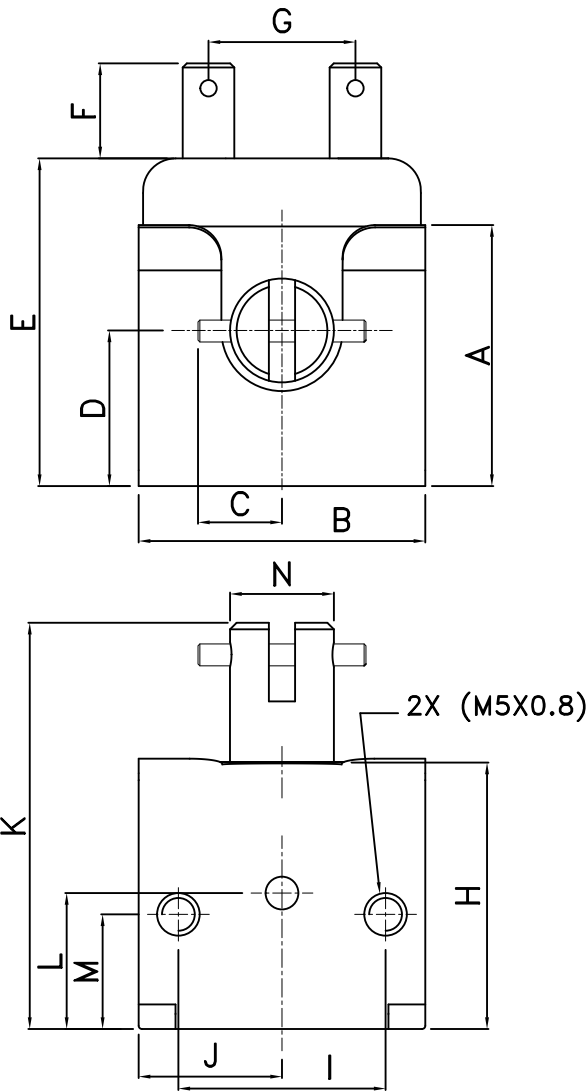
SOLENOID PRODUCT SPECIFICATION

PART No.	VOLTAGE	DUTY CYCLE	POWER (W)	CURRENT (A)	DCR (Ω) *
DSOL-1333-48A	48 VAC	100%	10	0.21	224
DSOL-1333-36A	36 VAC	100%	10	0.28	130
DSOL-1333-24A	24 VAC	100%	10	0.33	73
DSOL-1333-18A	18 VAC	100%	10	0.60	30
DSOL-1333-12A	12 VAC	100%	10	0.89	13.5

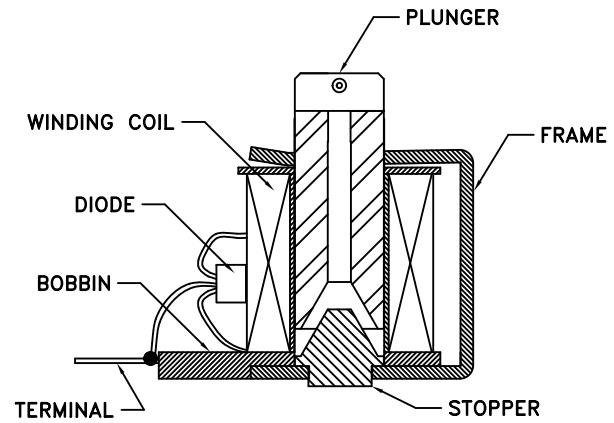
* OPERATION: POWER TO PULL

* DCR VALUES ARE ±10% AT 25°C

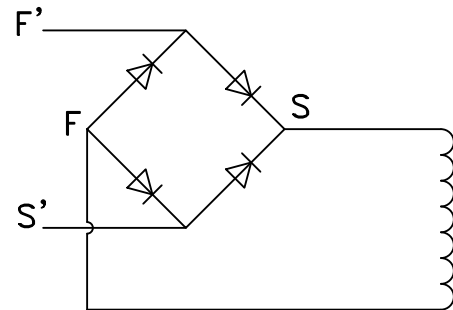
1. MECHANICAL DIMENSIONS :



2. SCHEMATIC AND CONSTRUCTION :



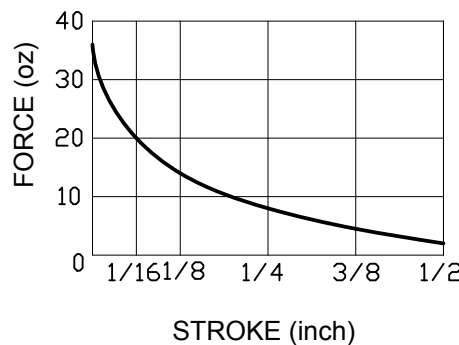
2.1 DIODE CONSTRUCTION :



UNIT : INCH.

- A = 1.25
- B = 1.38
- C = 0.44
- D = 0.75
- E = 1.60
- F = 0.46
- G = 0.86
- H = 1.28
- I = 1.00
- J = 0.69 REF.
- K = 1.65
- L = 0.65
- M = 0.55
- N = 0.50

TOLERANCE: ±0.02



INSULATION MATERIALS: UL CONSTRUCTION, CLASS B 130°C
 LIFE EXPECTANCY: 100K CYCLES OPERATIONS
 COULD OPERATED BY VDC, BUT PERFORMANCE WILL BE DIFFERENT.

LAYER TEST	IR. @500 Vdc.	HI-POT
(S-F): 1KVp. MIN.	COIL TO CASE	@50/60Hz.,.2mA
TEST ONLY COIL	100 MOHM MIN.	COIL TO CASE
		1500Vac.,.60s