

4

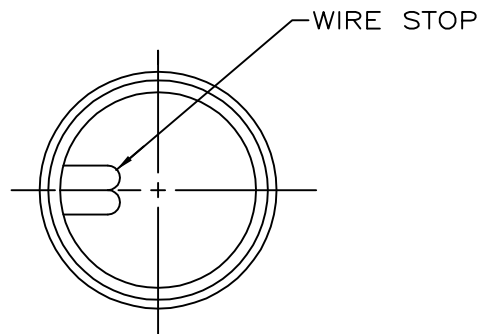
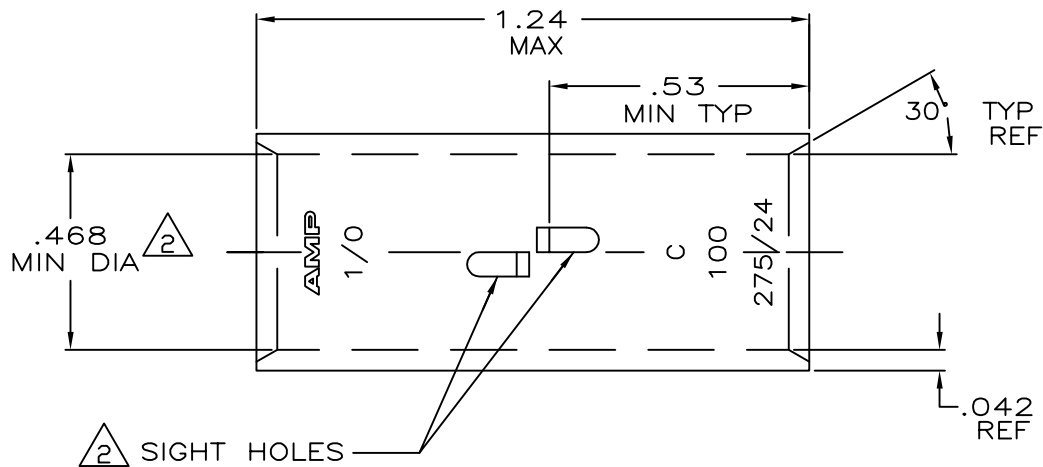
3

2

1

THIS DRAWING IS UNPUBLISHED. RELEASED FOR PUBLICATION  
 © COPYRIGHT - By - ALL RIGHTS RESERVED.

LOC	DIST	REVISIONS			
P	LTR	DESCRIPTION	DATE	DWN	APVD
G	86	N	ECR-13-000998	08FEB2013	PK HS



1 TIN PL .000150 MIN THK  
MIL-T-10727

2 .045 MAX BURR ALLOWED INSIDE THE WIRE BARREL ID  
IN AREA OF SIGHT HOLE.

CLEANED	83,700-119,500 CM	COPPER ASTM-B-75 ANNEALED	1-324458-0
FINISH	WIRE RANGE	MATERIAL	PART No

THIS DRAWING IS A CONTROLLED DOCUMENT.		DWN DK SCHRUM 4/24/89		
DIMENSIONS: INCHES		CHK MS FEHER 4/24/89		
TOLERANCES UNLESS OTHERWISE SPECIFIED:		APVD WJ VOCKROTH 11/8/89		
		NAME		
MATERIAL SEE TABLE		FINISH SEE TABLE	SPLICE, BUTT, AMPPOWER WIRE SIZE: 1/0 AWG	
		WEIGHT .027 LB.	SIZE A3	CAGE CODE 00779
		CUSTOMER DRAWING	DRAWING NO C=324458	RESTRICTED TO
		SCALE 4:1	SHEET 1 OF 1	REV N