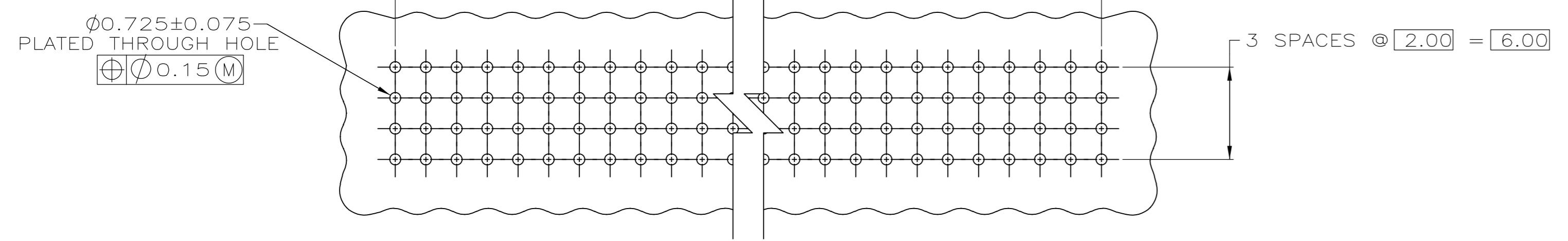
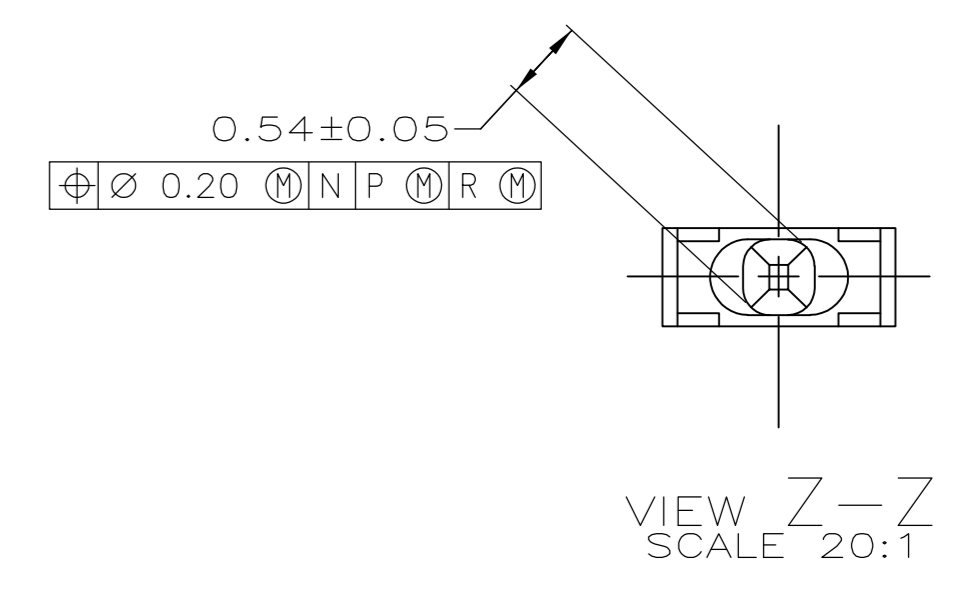
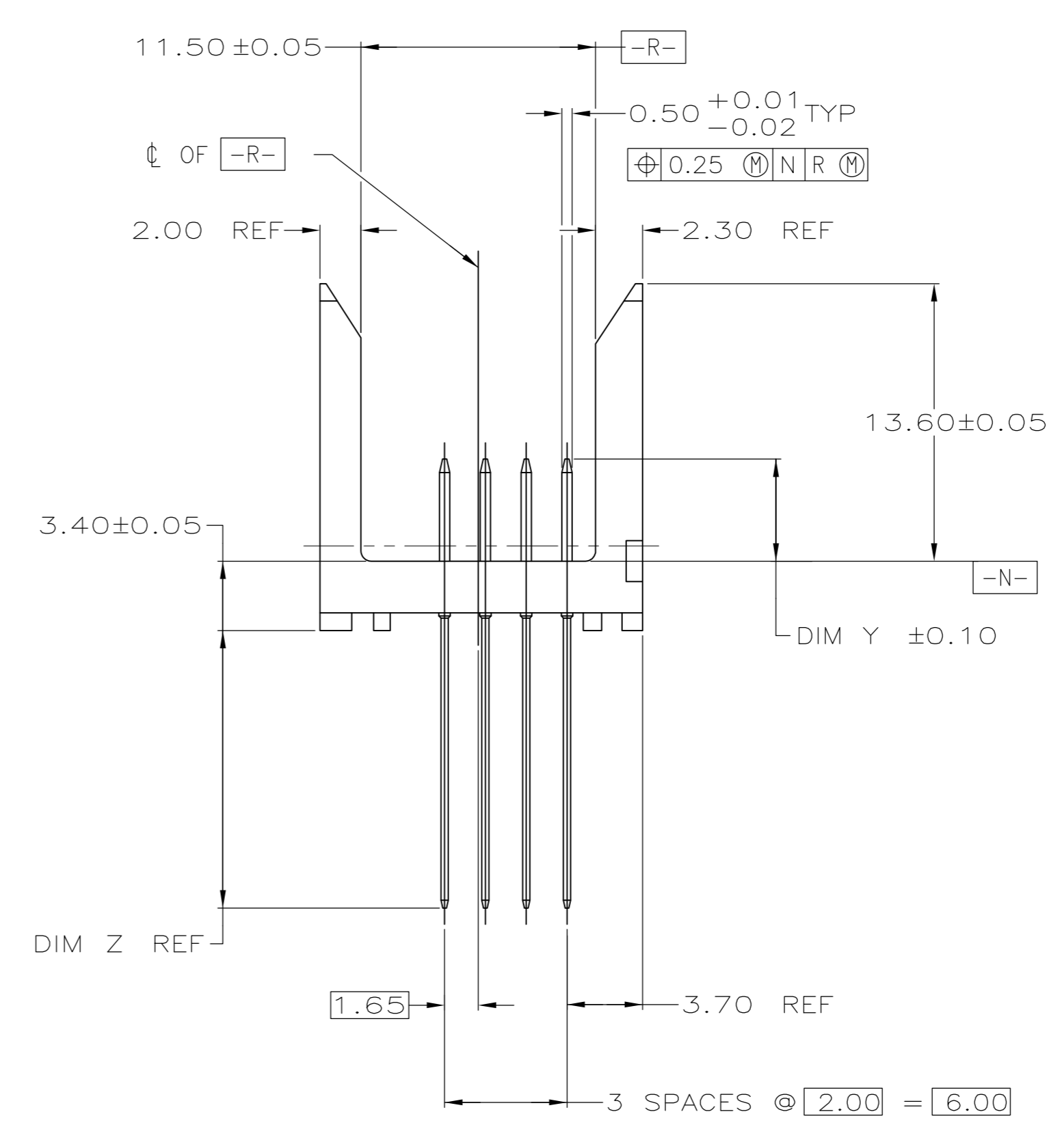
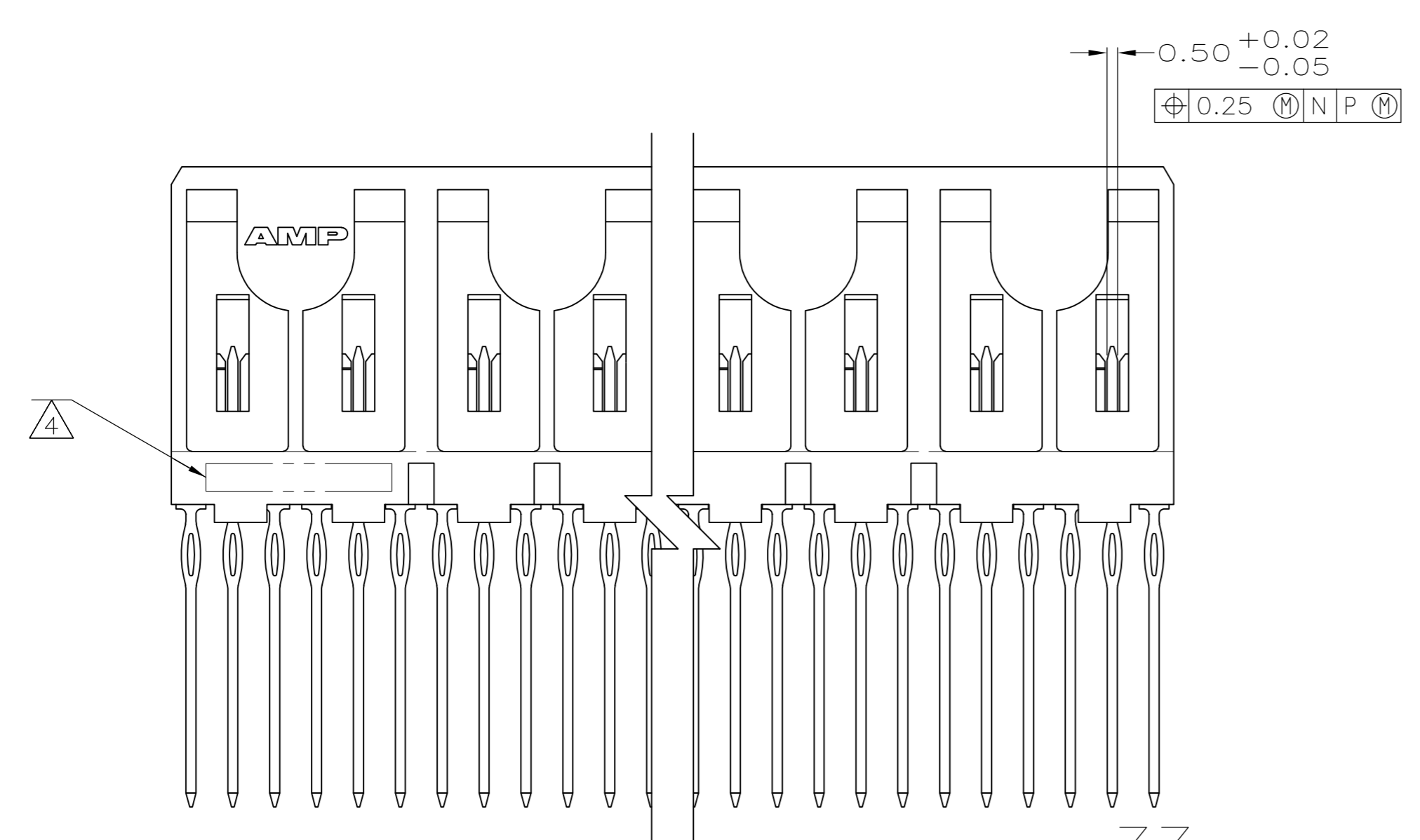


- 1 HOUSING MATERIAL: LIQUID CRYSTAL POLYMER. COLOR: NATURAL.
- 2 CONTACT MATERIAL: PHOSPHOR BRONZE.
- 3 CONTACT FINISH:(B)
UNDERPLATE (ENTIRE CONTACT):
0.00127 MIN NICKEL PER SAE-AMS-QQ-N-290
ON MATING SURFACES:
CONFORMS TO ALL TESTING SPECIFIED FOR TELCORDIA UNCONTROLLED ENVIRONMENT.
ON LEADS:
0.0006 MIN MATTE TIN PER ASTM B 545 OVER UNDERPLATE.
LUBRICATION (MIN MATING SURFACES):
SURFACE CONDITIONER AFTER PLATING.
- 4 PART MARKING, LOCATED APPROXIMATELY AS SHOWN.



RECOMMENDED CIRCUIT PATTERN
PER IPC-D300 TYPE II, CLASS C
(COMPONENT SIDE)

46.00	23	47.88	96	5223633-3
22.00	11	23.88	48	5223633-2
10.00	5	11.88	24	5223633-1
C	B	A	NUMBER OF POSITIONS	PART NUMBER

THIS DRAWING IS A CONTROLLED DOCUMENT.		DWN: B.MCMMASTER 15DEC04	 Tyco Electronics Corporation Harrisburg, Pa 17105-3608
DIMENSIONS: mm		CHK: R.WERTZ 15DEC04	
TOLERANCES UNLESS OTHERWISE SPECIFIED:		APVD: R.WERTZ 15DEC04	NAME: PIN ASSEMBLY, Z-PACK 2mm FB, SIGNAL, VERTICAL, 4 ROW, MULTI POSITION, WITH FEED THROUGH PRESS FIT LEADS
0 PLC ± - 1 PLC ± - 2 PLC ± 0.13 3 PLC ± - 4 PLC ± - ANGLES ± -		APPLICATION SPEC: -	RESTRICTED TO: -
MATERIAL: -		WEIGHT: -	SIZE: A1
FINISH: -		CUSTOMER DRAWING	CAGE CODE: 00779
SCALE: 4:1		DRAWING NO: 5223633	DRAWING NO: 5223633
SHEET 1 OF 2		REV A	REV A

