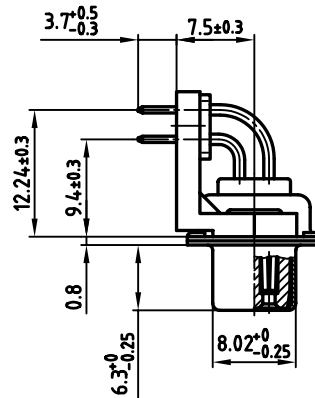
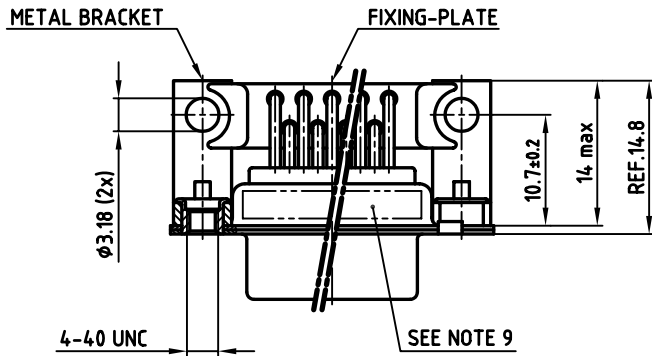
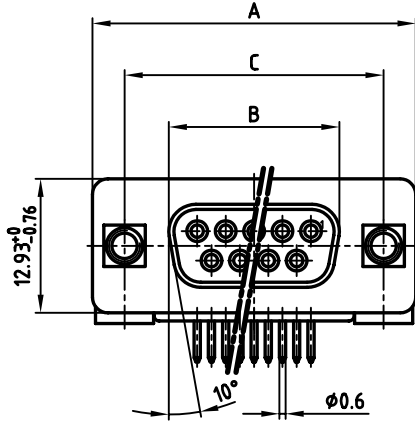


used for: D-SUB

| POS. | A ^{-0.76} | B ^{-0.25} | C ^{+0.12} ^{-0.13} | PART NO. |
|------|--------------------|--------------------|--|------------|
| 9 | 31.19 | 16.46 | 25.00 ^{+0.12} ^{-0.13} | 164A10969X |
| 15 | 39.52 | 24.79 | 33.30 ^{+0.15} ^{-0.1} | 164A10979X |
| 25 | 53.42 | 38.50 | 47.04 ^{+0.13} | 164A10989X |
| 37 | 69.70 | 54.96 | 63.50 ^{+0.13} | 164A10999X |



NOTES:

- METALSHELLS: STEEL; min. 315µin TIN over 40-80µin NICKEL
- INSULATORS: PBT GF UL 94 V-0, BLACK
- CONTACTS: COPPER ALLOY
PLATING: 8µin HARD GOLD OVER min. 50µin NICKEL
- METAL BRACKET: ZINC DIE CAST; 300µin COPPER/40-120µin NICKEL/120-200µin TIN
- THREADED INSERT: COPPER ALLOY; min. 200µin TIN over 80µin NICKEL
- FIXING-PLATE: PBT GF UL 94 V-0, BLACK
- P.C.B. HOLE DRILLINGS ON SHEET 2
- MAXIMUM TORQUE VALUE FOR THREAD: 6 in.LB
- CONNECTOR IS PART MARKED: PART-NO. CONEC ABC

Directive 2002/95 EC
"RoHS"
Compliant

| | |
|---|---|
| APPROVAL # FREIGABE # DEBLOCAGE # AUTORIZACION # APPROVAL | APPROVAL # FREIGABE # DEBLOCAGE # AUTORIZACION # APPROVAL |
| CUSTOMER APPROVAL DATE: | |
| NAME: | TITLE: |
| COMPANY NAME: | |
| APPROVAL # FREIGABE # DEBLOCAGE # AUTORIZACION # APPROVAL | |

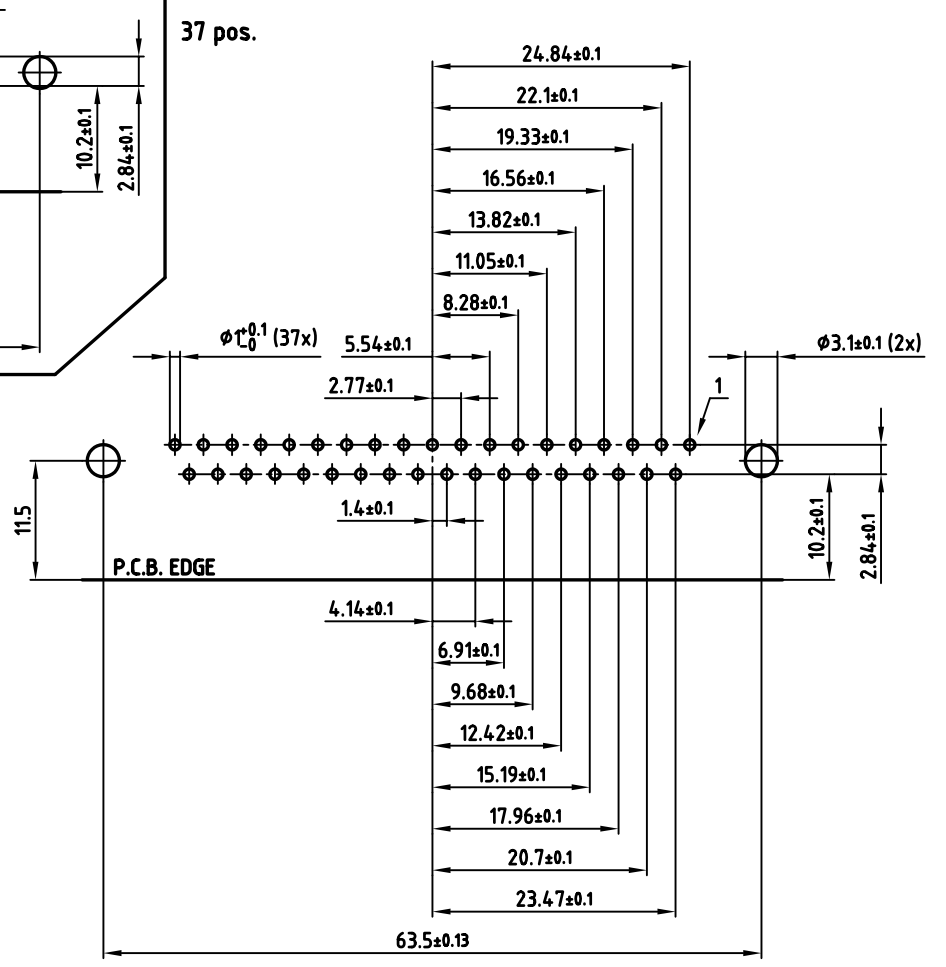
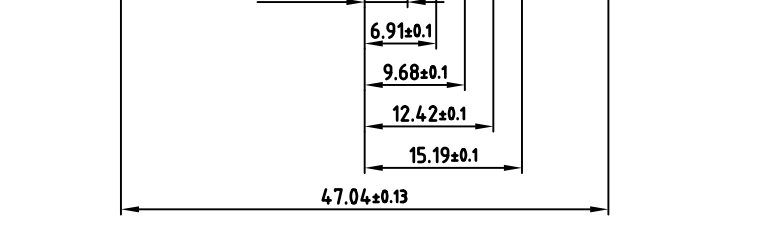
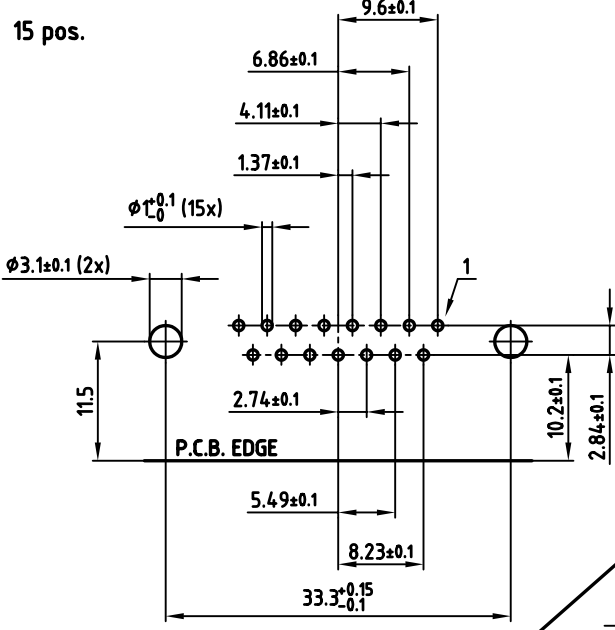
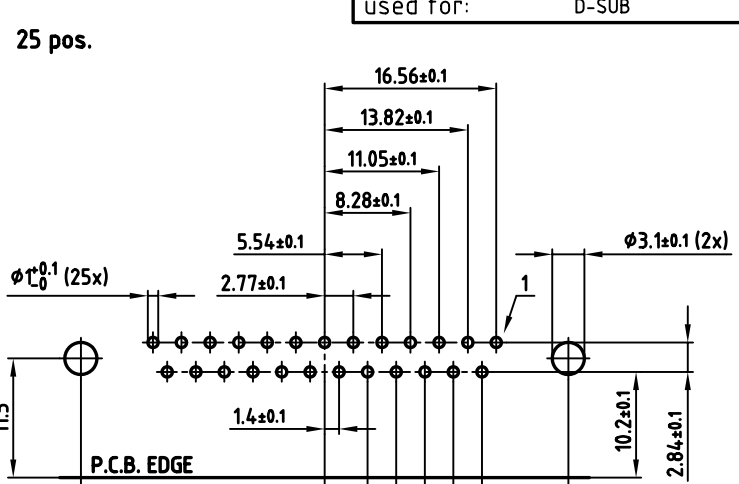
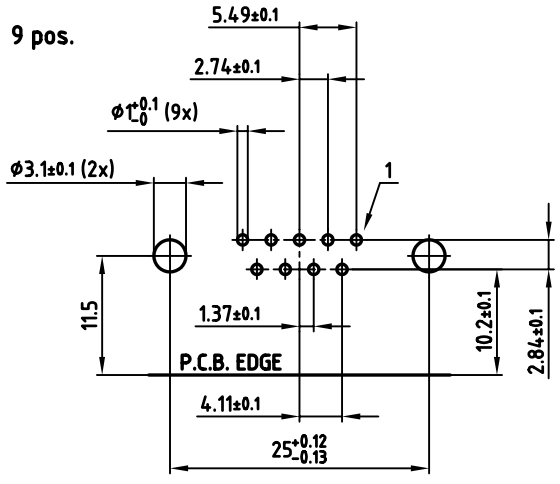
THIS DRAWING MAY NOT BE COPIED OR REPRODUCED IN ANY WAY, AND MAY NOT BE PASSED ON TO A THIRD PARTY, WITHOUT WRITTEN PERMISSION. OWNERSHIP AND COPYRIGHT OF CONEC GmbH DO NOT ALTER CAD DRAWING BY HAND

| rev. | description | date | name |
|------|-------------|------|------|
| a | Origin | | |

| | |
|-----------|---|
| tolerance | |
| scale: | 2:1 |
| material: | SEE NOTES |
| title: | D-SUB FEMALE 90° 9-37pos. 0.370inch threaded insert, metal bracket, fixing-plate |
| dwg no: | AutoCAD 2006 16K1A1978 |
| part no: | SEE TABLE |

| | |
|---------|----------------------------------|
| norm | DIN 41652 |
| d-old | |
| dwg no: | AutoCAD 2006 16K1A1978 |
| DIN-A | 3 |
| sh: | 1/2 |





APPROVAL # FREIGABE # DEBLOCAGE # AUTORIZACION # APPROVAL

CUSTOMER APPROVAL DATE:

NAME: TITLE:

COMPANY NAME:

APPROVAL # FREIGABE # DEBLOCAGE # AUTORIZACION # APPROVAL

THIS DRAWING MAY NOT BE COPIED OR REPRODUCED IN ANY WAY, AND MAY NOT BE PASSED ON TO A THIRD PARTY, WITHOUT WRITTEN PERMISSION. OWNERSHIP AND COPYRIGHT OF CONEC GmbH DO NOT ALTER CAD DRAWING BY HAND

| rev. | description | date | name |
|------|-------------|------|------|
| a | Origin | | |

tolerance

scale: 2:1

material: SEE SHEET 1

title: P.C.B. HOLE DRILLINGS
D-SUB FEMALE 90° 9-37pos. 0.370inch threaded insert, metal bracket, fixing-plate

dwg no: AutoCAD 2006 DIN-A 3 sh:2/2

part no: SEE SHEET 1

CONEC