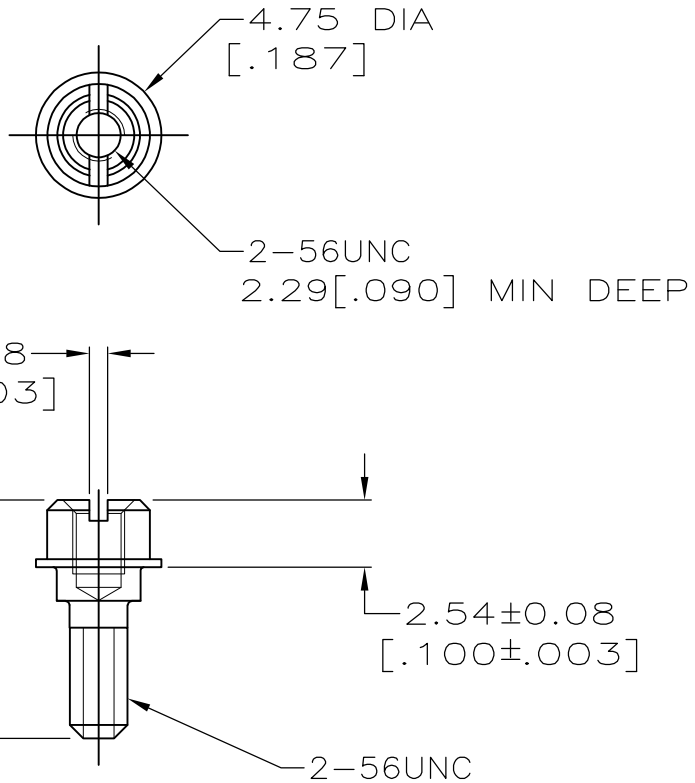



LOC	DIST	REVISIONS					
BD	95	P	LTR	DESCRIPTION	DATE	DWN	APVD
		B1		REVISED PER ECO-11-004835	11MAR11	RK	HMR



THIS DRAWING IS UNPUBLISHED. ALL RIGHTS RESERVED.

BULK	2	786585-3
INDIVIDUALLY	2	786585-2
PACKAGING TYPE	QTY	PART NO

DIMENSIONS: MM[INCHES]	DWN C.OBERMAN	10/23/92	MATERIAL STAINLESS STEEL	FINISH -		
	CHK W.LENKER	10-25-92	 TE Connectivity			
TOLERANCES UNLESS OTHERWISE SPECIFIED:	APVD T.SPANGLER	10-27-92			NAME SCREWLOCK KIT, FEMALE, UNASSEMBLED, AMPLIMITE™ .050 SERIES	
	0 PLC ± - 1 PLC ± - 2 PLC ± 0.13 [.005] 3 PLC ± - 4 PLC ± - ANGLES ± -	PRODUCT SPEC -	APPLICATION SPEC -	SIZE A4	CAGE CODE 00779	DRAWING NO C-786585
WEIGHT -		CUSTOMER DRAWING		SCALE 4:1	SHEET 1 OF 1	REV B1