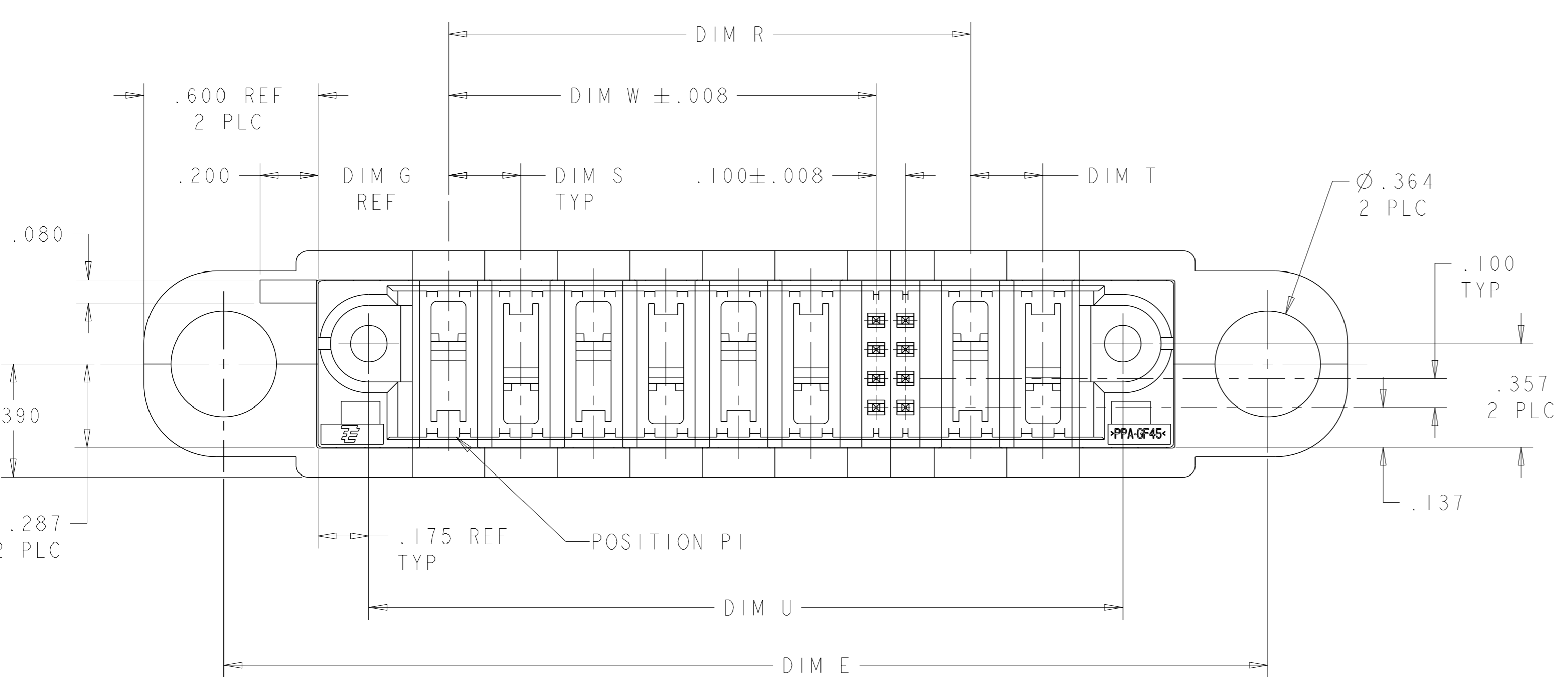
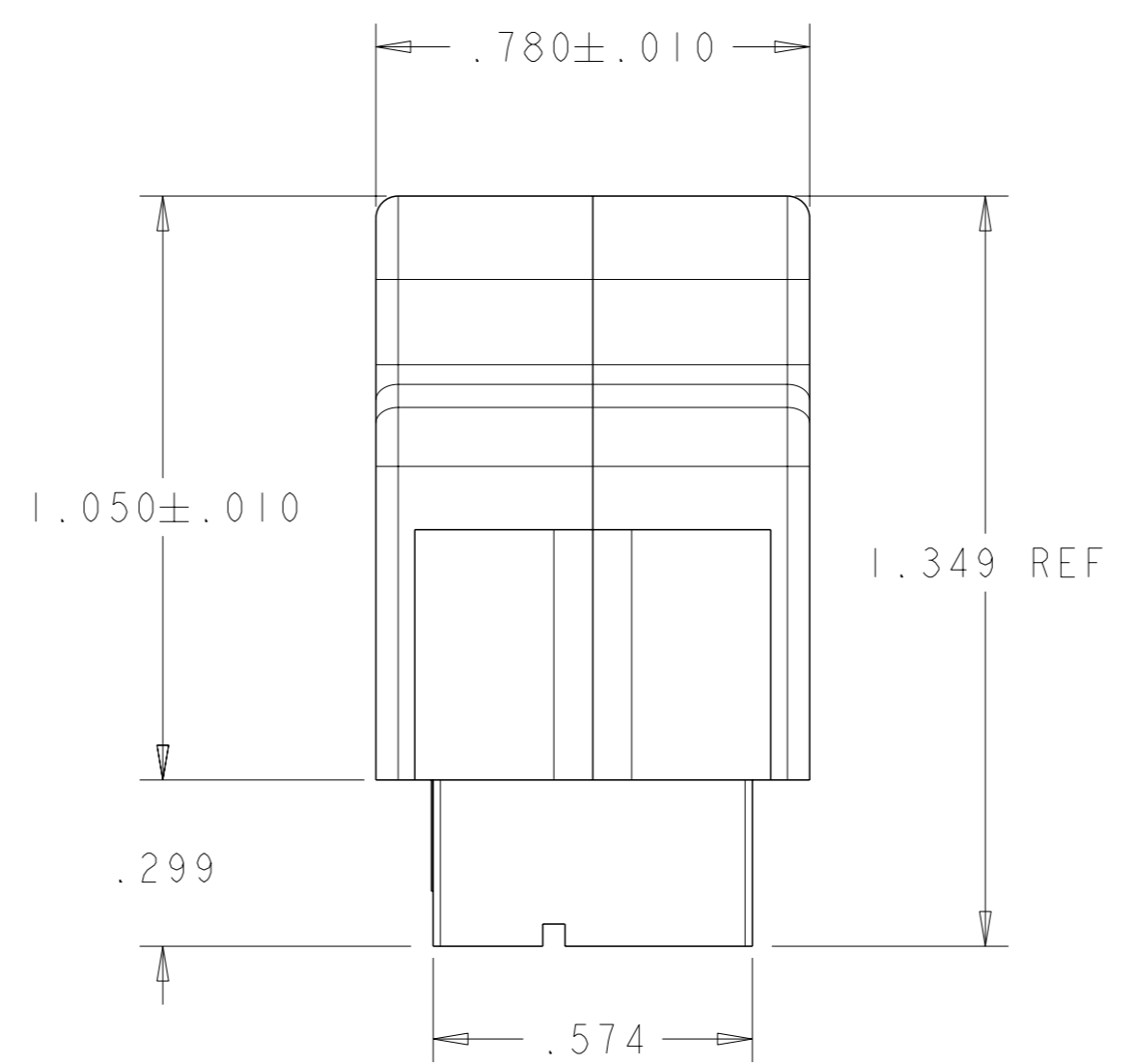
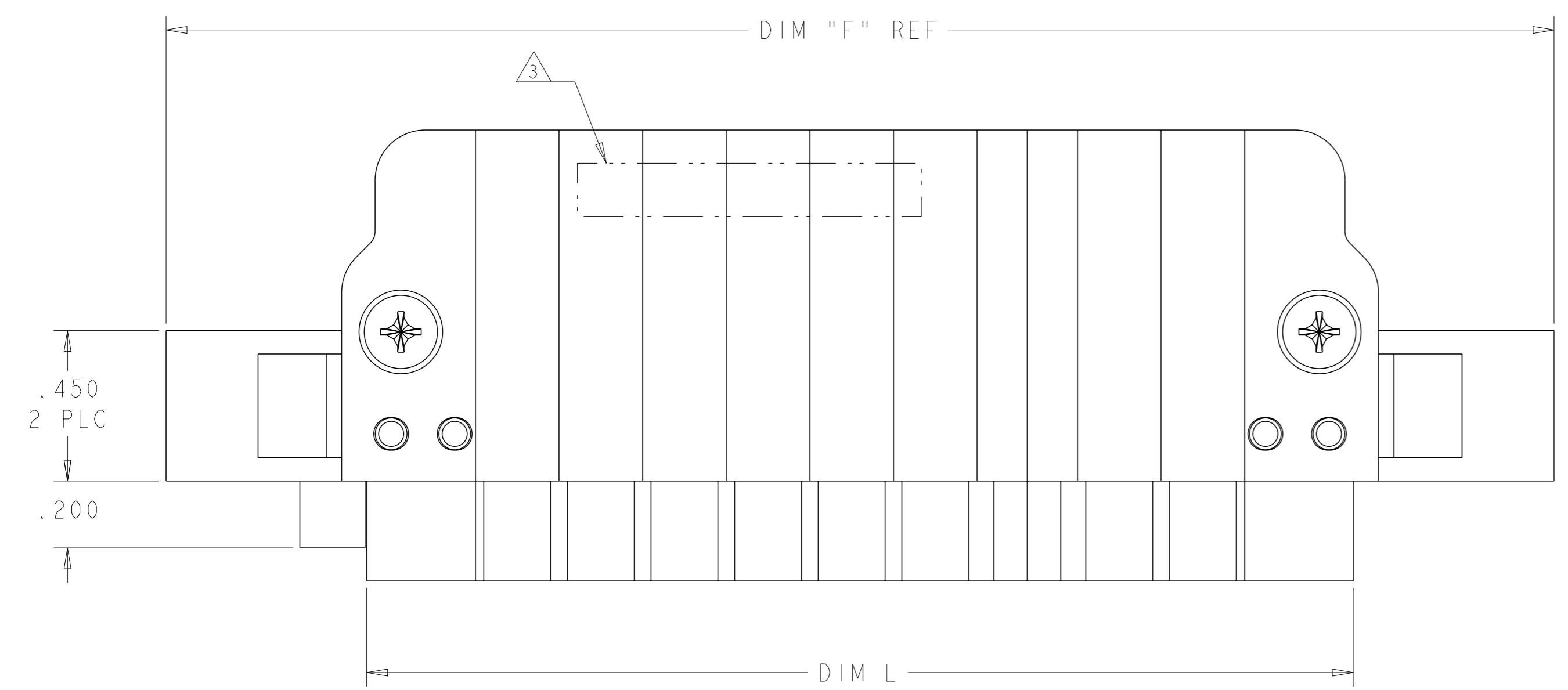


ISOMETRIC VIEW
SCALE 2:1

- 1 CLAMSHELLS AND HEADER HOUSING: THERMO PLASTIC, UL94 V-0, CONTACTS: COPPER ALLOY; SCREWS: STEEL.
- 2 CONTACTS: .000030 MIN GOLD IN MATING AREA, .000050 MIN TIN IN CRIMP AREA, BOTH OVER .000050 MIN NICKEL ALL OVER; SCREWS: ZINC.
- 3 TE PART NUMBER AND DATE CODE MARKED IN AREA.
- 4 CONNECTOR KEEP OUT ZONE.
- 5 CONNECTOR MATED TO PANEL FROM OPPOSITE SIDE.
- 6 NO BURRS ALLOWED ON OPPOSITE (MATED) SIDE.
- 7 DATUM LOCATIONS AND BASIC DIMENSIONS TO BE ESTABLISHED BY CUSTOMER.
- 8 MOUNT CONNECTOR WITH TE HARDWARE KIT 1600914-1 FOR .050 (1.27mm) MIN RADIAL FLOAT.
- 9 FOR CONFIGURATION "S", PLEASE REFER TO SHEET 2.

REVISONS		DATE	OWN	APVD
E6	ADDED DASH NUMBER 2-5	30MAR2016	CZ	SZ
E7	REV PER ECO-17-003604	03MAR2017	WY	SZ



.425	1.700	.250	.250	.900	2.050	.450	3.250	2.700	2P(12AWG) + 16S + 2P(12AWG)	2-1600236-6
.425	1.700	.250	.250	.900	2.050	.450	3.250	2.700	2P(10AWG) + 16S + 2P(10AWG)	2-1600236-5
.675	2.400	.250	.250	1.350	2.750	.450	3.950	3.400	3P(10AWG) + 24S + 3P(10AWG)	2-1600236-4
.425	1.700	.250	.250	.900	2.050	.450	3.250	2.700	2P(12AWG) + 16S + 2P(12AWG)	2-1600236-3
.725	2.300	.250	.250	1.250	2.650	.450	3.850	3.300	3P(10AWG) + 16S + 3P(10AWG)	2-1600236-2
-	2.000	-	-	-	2.350	.425	3.550	3.000	64S	2-1600236-1
.850	1.500	-	.300	-	1.850	.475	3.050	2.500	3ACP(10AWG) + 8S	2-1600236-0
.850	3.000	.300	.300	1.800	3.350	.475	4.550	4.000	3ACP(8AWG) + 32S + 3ACP(8AWG)	1-1600236-8
.550	2.200	.300	.300	1.300	2.550	.475	3.750	3.200	2ACP(8AWG) + 24S + 2ACP(8AWG)	1-1600236-7
.550	2.200	.300	.300	1.300	2.550	.475	3.750	3.200	2ACP(8AWG) + 24S + 2ACP(8AWG)	1-1600236-6
.725	2.300	.250	.250	1.250	2.650	.450	3.850	3.300	3P(12AWG) + 16S + 3P(12AWG)	1-1600236-5
.975	3.250	.250	.250	1.700	3.600	.450	4.800	4.250	4P(10AWG) + 24S + 5P(10AWG)	1-1600236-1
.975	3.250	.250	.250	1.700	3.600	.450	4.800	4.250	4P(10AWG) + 24S + 5P(10AWG)	1-1600236-0
.850	2.800	.300	.300	1.600	3.150	.475	4.350	3.800	3ACP(10AWG) + 24S + 3ACP(10AWG)	1600236-9
.850	2.800	.300	.300	1.600	3.150	.475	4.350	3.800	3ACP(12AWG) + 24S + 3ACP(12AWG)	1600236-8
.850	2.800	.300	.300	1.600	3.150	.475	4.350	3.800	3ACP(8AWG) + 24S + 3ACP(8AWG)	1600236-7
.475	2.000	.250	.250	1.200	2.350	.450	3.550	3.000	2P(10AWG) + 24S + 2P(10AWG)	1600236-6
.225	1.300	-	-	.750	1.650	.450	2.850	2.300	1P(10AWG) + 16S + 1P(10AWG)	1600236-5
.225	1.575	-	-	.950	1.925	.475	3.125	2.575	1P(10AWG) + 24S + 1P(10AWG)	1600236-4
1.975	4.200	.300	.250	2.725	4.550	.450	5.750	5.200	8P(12AWG) + 24S + 4ACP(8AWG)	1600236-3
1.975	4.200	.300	.250	2.725	4.550	.450	5.750	5.200	8P(10AWG) + 24S + 4ACP(8AWG)	1600236-2
1.475	2.600	.250	.250	1.800	2.950	.450	4.150	3.600	6P(10AWG) + 8S + 2P(10AWG)	1600236-1
DIM W	DIM U	DIM T	DIM S	DIM R	DIM L	DIM G	DIM F	DIM E	DESCRIPTION	PART NO

THIS DRAWING IS A CONTROLLED DOCUMENT. DWN: R. GRZYBOWSKI, 0AUG2004
 CHK: D. TROUT, 10AUG2004
 APVD: B. WHYNE, 10AUG2004

DIMENSIONS: INCHES
 TOLERANCES UNLESS OTHERWISE SPECIFIED:
 0 PLC ±.01
 1 PLC ±.02
 2 PLC ±.02
 3 PLC ±.005
 4 PLC ±.005
 ANGLES FINISH ±2°

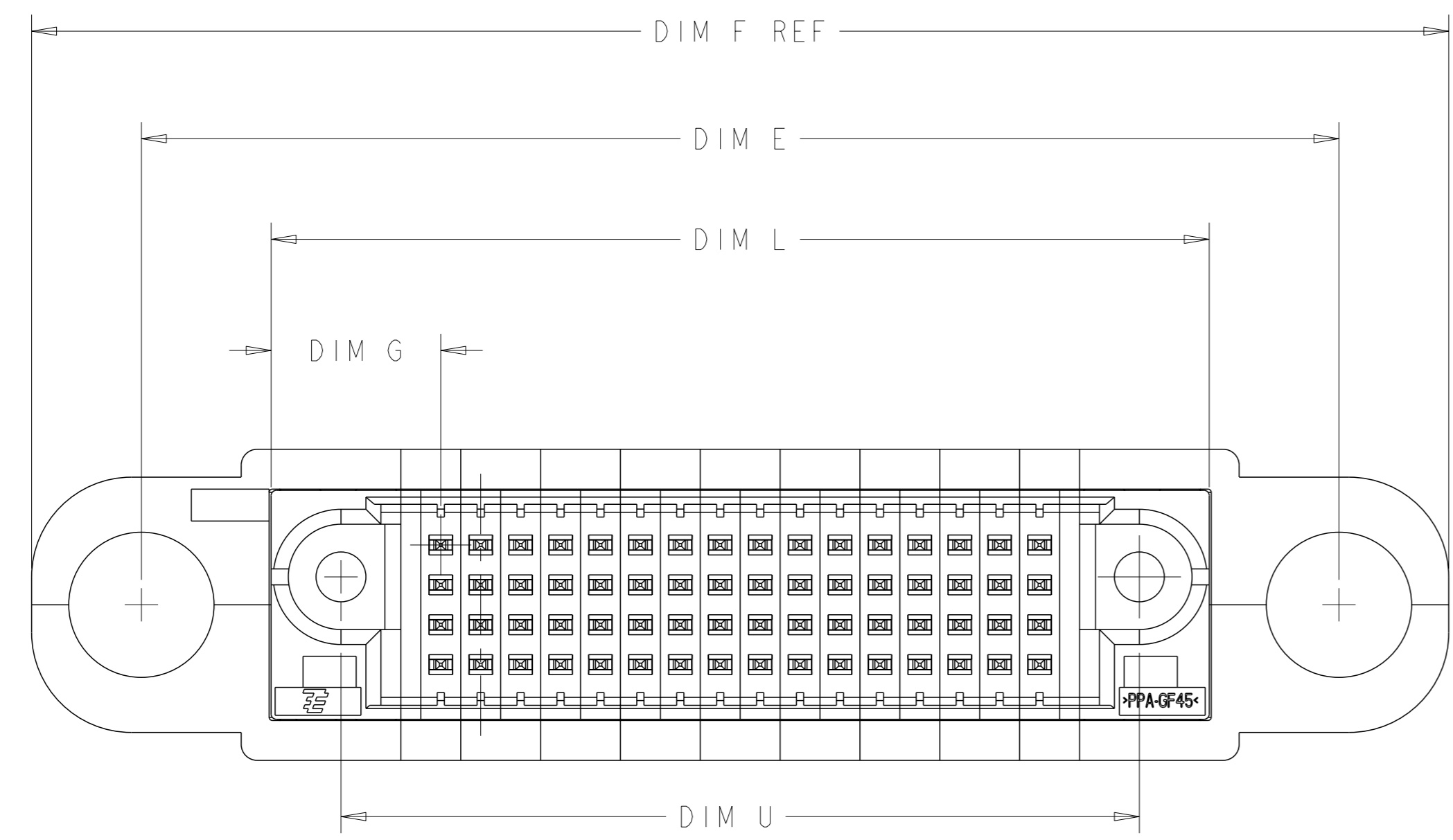
MATERIAL:

CUSTOMER DRAWING

TE Connectivity
 NAME: PANEL MOUNT CABLE PLUG, WITH FUIDES TYPE PSP, MUTLI-BEAM XL
 PRODUCT SPEC: 108-2157-1
 APPLICATION SPEC: 114-13164
 SIZE: A1
 CAGE CODE: 1600236
 DRAWING NO: 100779
 SCALE: 1:1
 SHEET: 1 OF 5
 REV: E7

THIS DRAWING IS UNPUBLISHED. RELEASED FOR PUBLICATION 20
 © COPYRIGHT 20 . ALL RIGHTS RESERVED.

LOC		DIST		REVISIONS			
ES	00	P	LYR	DESCRIPTION	DATE	OWN	APVD
		-		SEE SHEET 1	-	-	-



FOR CONFIGURATION "S", OTHER DIMENSIONS PLEASE REFER TO SHEET 1

THIS DRAWING IS A CONTROLLED DOCUMENT.		OWN R. GRZYBOWSKI CHK D. TROUT APVD R. WHYNE	10AUG2004 10AUG2004 10AUG2004	TE Connectivity STE	NAME PANEL MOUNT CABLE PLUG, WITH FUIDES TYPE PSP, MUTLI-BEAM XL		
DIMENSIONS: INCHES	TOLERANCES UNLESS OTHERWISE SPECIFIED:	PRODUCT SPEC 108-2157-1	APPLICATION SPEC 114-13164		SIZE A1	CAGE CODE 100779	DRAWING NO. 1600236
MATERIAL	FINISH	WEIGHT	CUSTOMER DRAWING	SCALE 1:1	SHEET 2	OF 5	REV E7

PART NUMBER	ROWS	POWER						SIGNAL		POWER	
		P1	P2	P3	P4	P5	P6	1	2	P7	P8
1600236-1	D	CP	CP	CP	CP	CP	CP	CT	CT	CP	CP
	C							CT	CT		
	B							CT	CT		
	A							CV	CT		

6P(10AWG) + 8S + 2P(10AWG)

PART NUMBER	ROWS	POWER								SIGNAL						POWER			
		P1	P2	P3	P4	P5	P6	P7	P8	1	2	3	4	5	6	P9	P10	P11	P12
1600236-2	D	CP	CP	CP	CP	CP	CP	CP	CP	CT	CT	CT	CT	CT	CT	CP	CP	CP	CP
	C									CT	CT	CT	CT	CT	CT				
	B									CT	CT	CT	CT	CT	CT				
	A									CT	CT	CT	CT	CT	CT				

8P(10AWG) + 24S + 4ACP(8AWG)

PART NUMBER	ROWS	POWER								SIGNAL						POWER			
		P1	P2	P3	P4	P5	P6	P7	P8	1	2	3	4	5	6	P9	P10	P11	P12
1600236-3	D	CP	CP	CP	CP	CP	CP	CP	CP	CT	CT	CT	CT	CT	CT	CP	CP	CP	CP
	C									CT	CT	CT	CT	CT	CT				
	B									CT	CT	CT	CT	CT	CT				
	A									CT	CT	CT	CT	CT	CT				

8P(12AWG) + 24S + 4ACP(8AWG)

PART NUMBER	ROWS	POWER	SIGNAL						POWER
		P1	1	2	3	4	5	6	P2
1600236-4	D	CP	CT	CT	CT	CT	CT	CT	CP
	C		CT	CT	CT	CT	CT	CT	
	B		CT	CT	CT	CV	CT	CT	
	A		CT	CT	CT	CT	CT	CT	

1P(10AWG) + 24S + 1P(10AWG)

PART NUMBER	ROWS	POWER	SIGNAL				POWER
		P1	1	2	3	4	P2
1600236-5	D	CP	CT	CT	CT	CT	CP
	C		CT	CT	CT	CT	
	B		CT	CT	CT	CT	
	A		CV	CV	CV	CV	

1P(10AWG) + 16S + 1P(10AWG)

PART NUMBER	ROWS	POWER	SIGNAL						POWER		
		P1	P2	1	2	3	4	5	6	P3	P4
1600236-6	D	CP	CP	CT	CT	CT	CT	CT	CT	CP	CP
	C			CT	CT	CT	CT	CT	CT		
	B			CT	CT	CT	CT	CT	CT		
	A			CV	CV	CV	CV	CV	CV		

2P(10AWG) + 24S + 2P(10AWG)

PART NUMBER	ROWS	POWER	SIGNAL						POWER				
		P1	P2	P3	1	2	3	4	5	6	P4	P5	P6
1600236-7	D	CP	CP	CP	CT	CT	CT	CT	CT	CT	CP	CP	CP
	C				CT	CT	CT	CT	CT	CT			
	B				CT	CT	CT	CT	CT	CT			
	A				CV	CV	CV	CV	CV	CV			

3ACP(8AWG) + 24S + 3ACP(8AWG)

PART NUMBER	ROWS	POWER	SIGNAL						POWER				
		P1	P2	P3	1	2	3	4	5	6	P4	P5	P6
1600236-8	D	CP	CP	CP	CT	CT	CT	CT	CT	CT	CP	CP	CP
	C				CT	CT	CT	CT	CT	CT			
	B				CT	CT	CT	CT	CT	CT			
	A				CV	CV	CV	CV	CV	CV			

3ACP(12AWG) + 24S + 3ACP(12AWG)

PART NUMBER	ROWS	POWER	SIGNAL						POWER				
		P1	P2	P3	1	2	3	4	5	6	P4	P5	P6
1600236-9	D	CP	CP	CP	CT	CT	CT	CT	CT	CT	CP	CP	CP
	C				CT	CT	CT	CT	CT	CT			
	B				CT	CT	CT	CT	CT	CT			
	A				CV	CT	CT	CT	CT	CT			

3ACP(10AWG) + 24S + 3ACP(10AWG)

PART NUMBER	ROWS	POWER				SIGNAL						POWER				
		P1	P2	P3	P4	1	2	3	4	5	6	P5	P6	P7	P8	P9
1-1600236-0	D	CP	CP	CP	CP	CV	CV	CT	CT	CV		CP	CP	CP	CP	CP
	C					CT	CV	CT	CT	CT						
	B					CT	CT	CT	CV	CT						
	A					CV	CT	CV	CT	CT						

4P(10AWG) + 24S + 5P(10AWG)

PART NUMBER	ROWS	POWER				SIGNAL						POWER				
		P1	P2	P3	P4	1	2	3	4	5	6	P5	P6	P7	P8	P9
1-1600236-1	D	CP	CP	CP	CP	CV	CT	CV	CT	CT		CP	CP	CP	CP	CP
	C					CT	CT	CT	CV	CT						
	B					CT	CV	CT	CT	CT						
	A					CV	CV	CT	CT	CV						

4P(10AWG) + 24S + 5P(10AWG)

PART NUMBER	ROWS	POWER	SIGNAL				POWER				
		P1	P2	P3	1	2	3	4	P4	P5	P6
1-1600236-5	D	CP	CP	CP	CT	CT	CT	CV	CP	CP	CP
	C				CT	CT	CT	CT			
	B				CT	CT	CT	CT			
	A				CV	CT	CT	CT			

3P(12AWG) + 16S + 3P(12AWG)

PART NUMBER	ROWS	POWER	SIGNAL						POWER		
		P1	P2	1	2	3	4	5	6	P3	P4
1-1600236-6	D	CP	CP	CT	CT	CT	CT	CT	CT	CP	CP
	C			CT	CT	CT	CT	CT	CT		
	B			CT	CT	CT	CT	CT	CT		
	A			CT	CT	CT	CT	CT	CT		

2ACP(8AWG) + 24S + 2ACP(8AWG)

PART NUMBER	ROWS	POWER	SIGNAL						POWER		
		P1	P2	1	2	3	4	5	6	P3	P4
1-1600236-7	D	CP	CP	CV	CT	CT	CT	CT	CT	CP	CP
	C			CT	CT	CT	CT	CT	CT		
	B			CT	CT	CT	CT	CT	CT		
	A			CT	CT	CT	CT	CT	CT		

2ACP(8AWG) + 24S + 2ACP(8AWG)

PART NUMBER	ROWS	POWER	SIGNAL								POWER				
		P1	P2	P3	1	2	3	4	5	6	7	8	P4	P5	P6
1-1600236-8	D	CP	CP	CP	CT	CT	CT	CT	CT	CT	CT	CT	CP	CP	CP
	C				CT	CT	CT	CT	CT	CT	CT				
	B				CT	CT	CT	CT	CT	CT	CT				
	A				CT	CT	CT	CT	CT	CT	CT				

3ACP(8AWG) + 32S + 3ACP(8AWG)

PART NUMBER	ROWS	POWER	SIGNAL			
		P1	P2	P3	1	2
2-1600236-0	D	CP	CP	CP	CT	CT
	C				CT	CT
	B				CT	CT
	A				CT	CT

3ACP(10AWG) + 8S

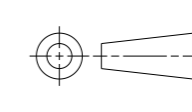
LOC	DIST	REV	DATE	OWN	APVD
ES	00				

NO CONTACTS LOADED

NO CONTACTS LOADED

E

THIS DRAWING IS A CONTROLLED DOCUMENT.

DIMENSIONS: INCHES 	TOLERANCES UNLESS OTHERWISE SPECIFIED: 0 PLC ±. 1 PLC ±.02 2 PLC ±.02 3 PLC ±.005 4 PLC ±. ANGLES FINISH ±2°	MTLBF STANDARD - MATING SEQUENCE DESCRIPTION IDENTIFIER CV CT CP PANEL MOUNT CABLE PLUG, WITH FUIDES TYPE PSP, MUTLI-BEAM XL A100779C=1600236
--	--	--

OWN: R. GRZYBOWSKI 0AUG2004
 CHK: D. TROUT 10AUG2004
 APVD: B. WHYNE 10AUG2004
 PRODUCT SPEC 108-2157-1
 APPLICATION SPEC 114-13164
 WEIGHT
 CUSTOMER DRAWING
 SCALE: 1:1 SHEET 3 OF 5 REV E7

LOC	DIST	REVISIONS			
ES	00	REV	DATE	OWN	APVD
		-	SEE SHEET 1	-	-

PART NUMBER	ROWS	SIGNAL															
		1	2	3	4	5	6	7	8	9	10	11	12	13	14	15	16
2-1600236-1	D	CT	CT	CT	CT	CT	CT	CT	CT	CT	CT	CT	CT	CT	CT	CT	CT
	C	CT	CT	CT	CT	CT	CT	CT	CT	CT	CT	CT	CT	CT	CT	CT	CT
	B	CT	CT	CT	CT	CT	CT	CT	CT	CT	CT	CT	CT	CT	CT	CT	CT
	A	CT	CT	CT	CT	CT	CT	CT	CT	CT	CT	CT	CT	CT	CT	CT	CT

64S

PART NUMBER	ROWS	POWER			SIGNAL				POWER		
		P1	P2	P3	1	2	3	4	P4	P5	P6
2-1600236-2	D	CP	CP	CP	CT	CT	CT	CV	CP	CP	CP
	C				CT	CT	CT	CT			
	B				CT	CT	CT	CT			
	A				CV	CT	CT	CT			

3P(10AWG) + 16S + 3P(10AWG)

PART NUMBER	ROWS	POWER		SIGNAL				POWER	
		P1	P2	1	2	3	4	P3	P4
2-1600236-3	D	CP	CP	CT	CV	CT	CT	CP	CP
	C			CT	CV	CT	CT		
	B			CT	CV	CT	CT		
	A			CT	CV	CT	CT		

2P(12AWG) + 16S + 2P(12AWG)

PART NUMBER	ROWS	POWER			SIGNAL						POWER		
		P1	P2	P3	1	2	3	4	5	6	P4	P5	P6
2-1600236-4	D	CP	CP	CP	CV	CT	CT	CT	CT	CT	CP	CP	CP
	C				CV	CT	CT	CT	CT				
	B				CV	CT	CT	CT	CT				
	A				CV	CT	CT	CT	CT				

3P(10AWG) + 24S + 3P(10AWG)

PART NUMBER	ROWS	POWER		SIGNAL				POWER	
		P1	P2	1	2	3	4	P3	P4
2-1600236-5	D	CP	CP	CT	CV	CT	CT	CP	CP
	C			CT	CV	CT	CT		
	B			CT	CV	CT	CT		
	A			CT	CV	CT	CT		

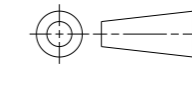

2P(10AWG) + 16S + 2P(10AWG)

PART NUMBER	ROWS	POWER		SIGNAL				POWER	
		P1	P2	1	2	3	4	P3	P4
2-1600236-6	D	CP	CP	-	-	CT	-	CP	CP
	C			-	-	CT	-		
	B			-	-	CT	-		
	A			-	-	CT	-		

2P(12AWG) + 16S + 2P(12AWG)

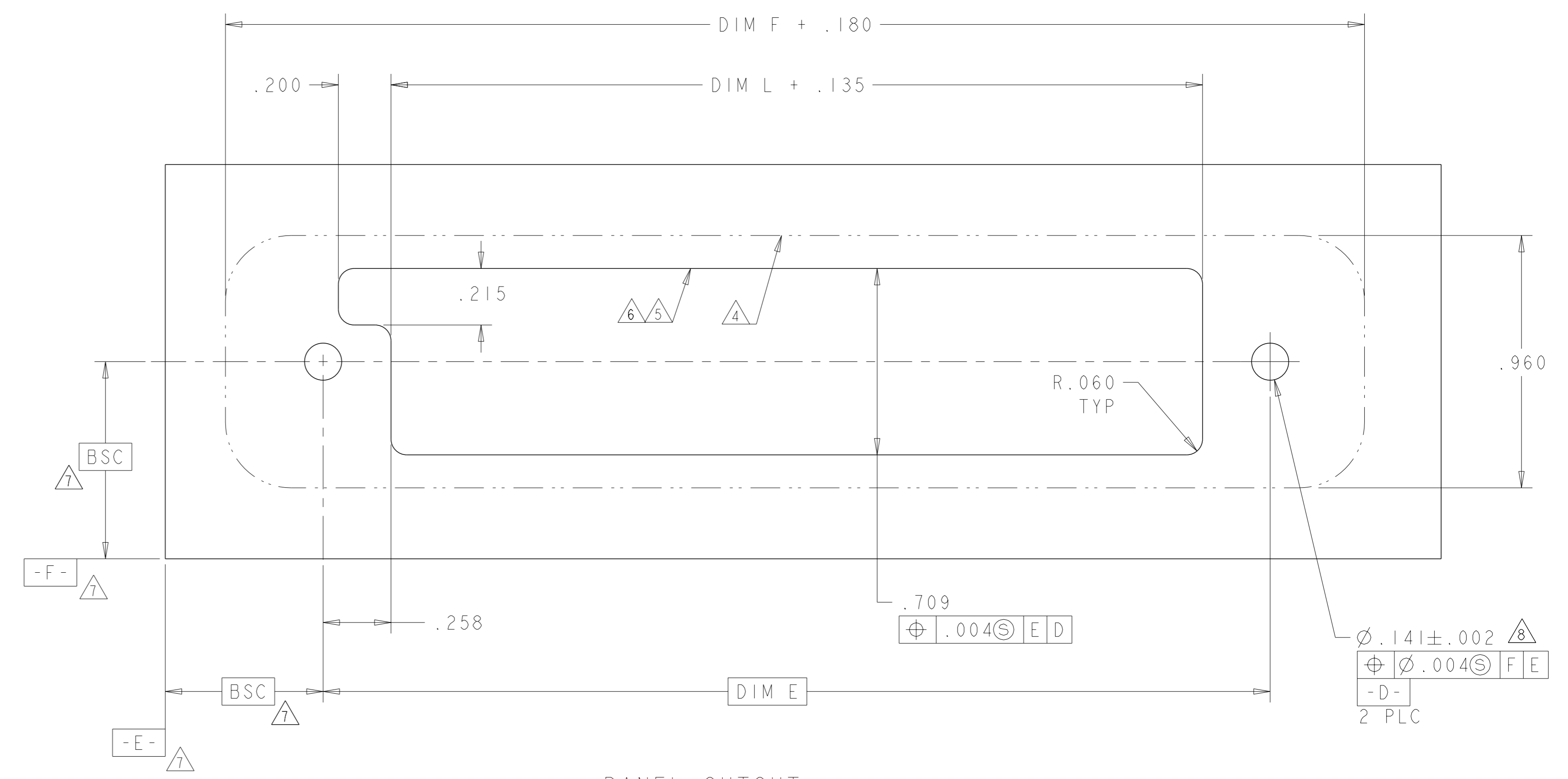
NO CONTACT LOADED
NO CONTACTS LOADED

THIS DRAWING IS A CONTROLLED DOCUMENT.

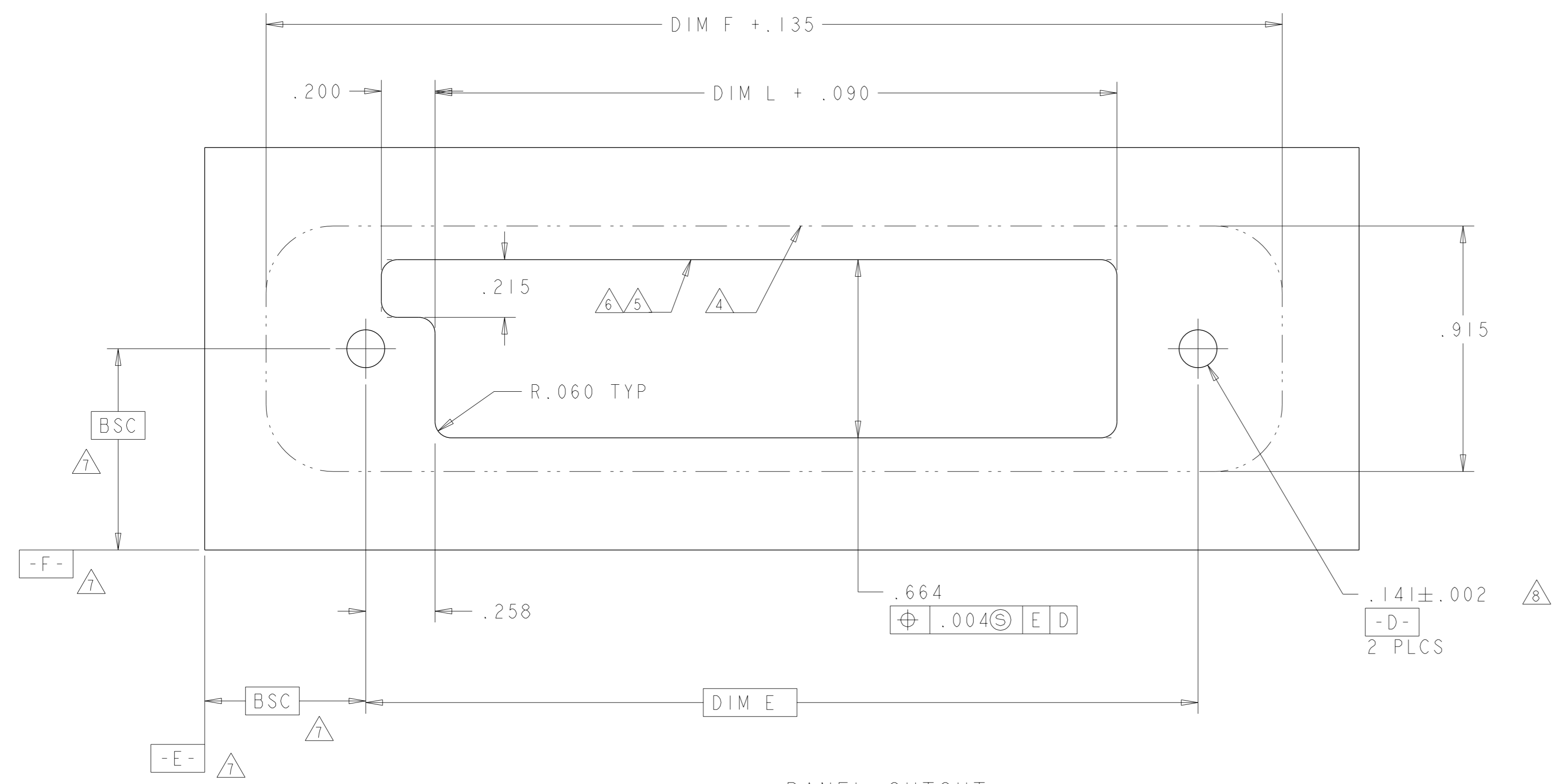
DIMENSIONS: INCHES 	TOLERANCES UNLESS OTHERWISE SPECIFIED: 0 PLC ±. 1 PLC ±. 2 PLC ±.02 3 PLC ±.005 4 PLC ±. ANGLES ±2° FINISH	OWN: R. GRZYBOWSKI 10AUG2004 CHK: D. TROUT 10AUG2004 APVD: R. WHYNE 10AUG2004 PRODUCT SPEC: 108-2157-1 APPLICATION SPEC: 114-13164 WEIGHT:	 TE Connectivity NAME: PANEL MOUNT CABLE PLUG, WITH FUIDES TYPE PSP, MUTLI-BEAM XL SIZE: A1 CAGE CODE: 100779 DRAWING NO: 1600236 RESTRICTED TO:
--	---	---	--

CUSTOMER DRAWING SCALE 1:1 SHEET 4 OF 5 REV E7

LOC	DIST	REVISIONS			
		REV	DATE	BY	APPV
ES	00				



PANEL CUTOUT:
WHEN MATING TO BOARD MOUNT RECEPTACLE
AND PMT CABLE RECEPTACLE



PANEL CUTOUT:
WHEN MATING TO SLIDE-TO-LOCK CABLE RECEPTACLE

THIS DRAWING IS A CONTROLLED DOCUMENT.		OWN: R. GRZYBOWSKI 10AUG2004	TE Connectivity										
DIMENSIONS: INCHES		CHK: D. TROUT 10AUG2004											
TOLERANCES UNLESS OTHERWISE SPECIFIED:		APVD: R. WHYNE 10AUG2004	NAME: PANEL MOUNT CABLE PLUG, WITH FUIDES TYPE PSP, MUTLI-BEAM XL										
<table border="1"> <tr><td>0 PLC</td><td>±</td></tr> <tr><td>1 PLC</td><td>±.02</td></tr> <tr><td>2 PLC</td><td>±.02</td></tr> <tr><td>3 PLC</td><td>±.005</td></tr> <tr><td>4 PLC</td><td>±</td></tr> </table>		0 PLC	±	1 PLC	±.02	2 PLC	±.02	3 PLC	±.005	4 PLC	±	PRODUCT SPEC: 108-2157-1	SIZE: A1
0 PLC	±												
1 PLC	±.02												
2 PLC	±.02												
3 PLC	±.005												
4 PLC	±												
MATERIAL: -		APPLICATION SPEC: 114-13164	CAGE CODE: 1600236										
FINISH: -		WEIGHT: -	RESTRICTED TO: -										
CUSTOMER DRAWING		SCALE: 1:1	SHEET 5 OF 5 REV E7										