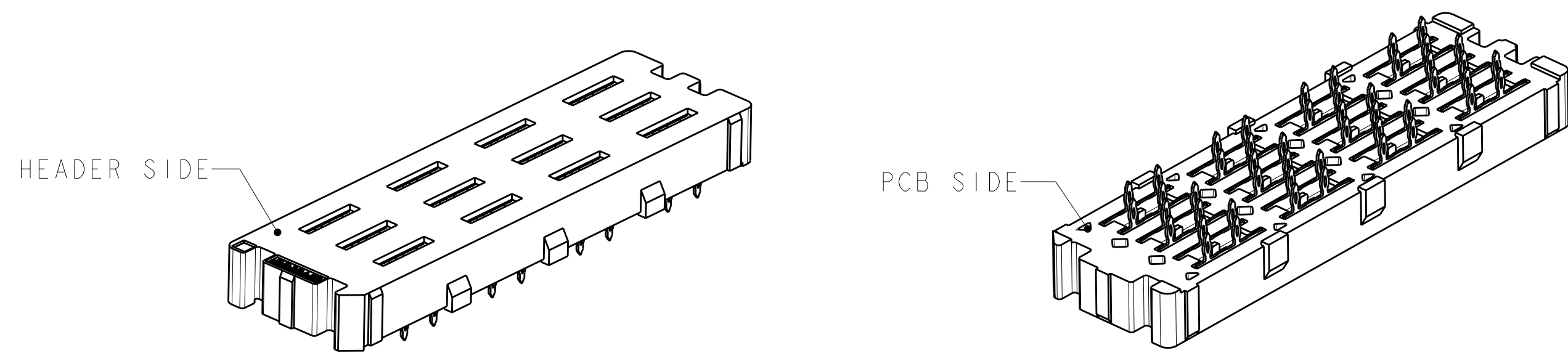
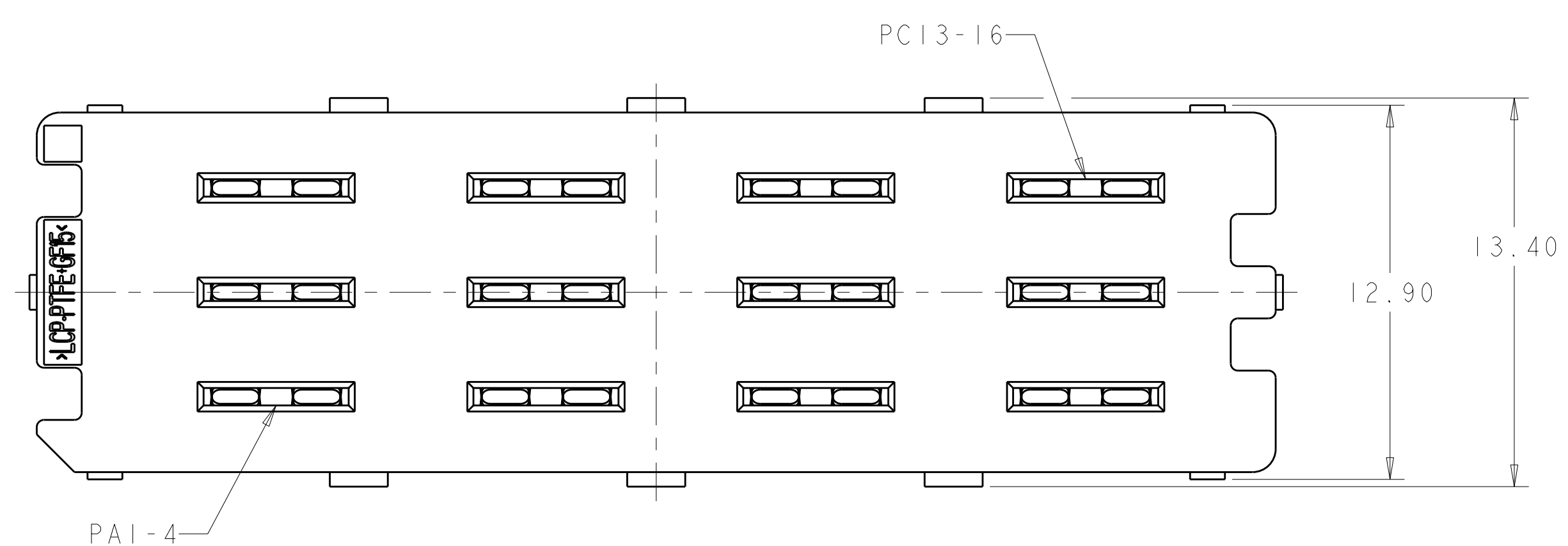


LOC	DIST	REVISIONS			
GP	00	REV	DATE	DWN	APVD
		2	REVISÉ	12JAN2011	WS MH
		3	REVISÉ	14MAY2012	REH DT



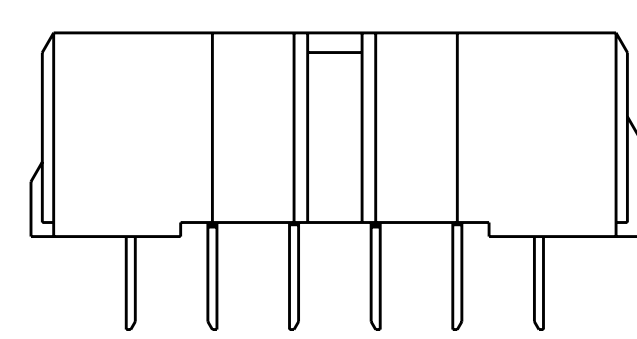
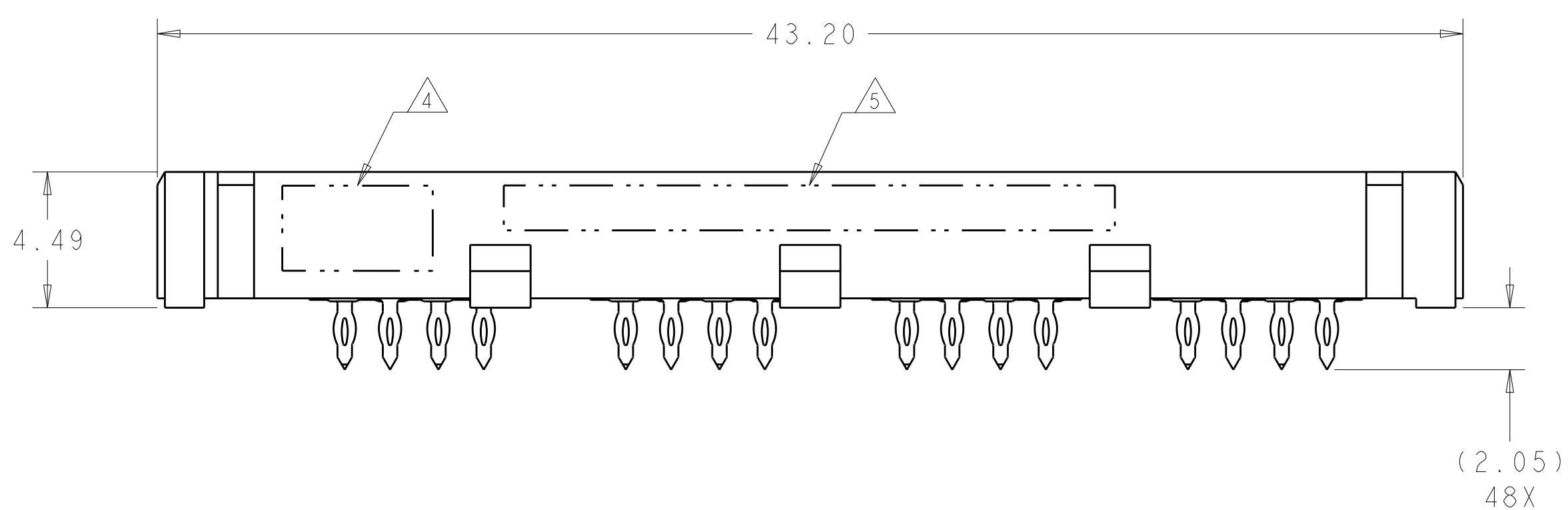
ISOMETRIC VIEWS  
SCALE 3:1

- 1 MATERIAL:  
HOUSING: THERMOPLASTIC, FLAMMABILITY RATING UL94 V-0  
CONTACT: COPPER ALLOY
- 2. CONFORMS TO THE REQUIREMENTS OF TE PRODUCT SPECIFICATION, 108-2375; BASED ON TELCORDIA GR-1217-CORE FOR SYSTEM QUALITY LEVEL III, APPLICATIONS IN CONTROLLED ENVIRONMENTS (CENTRAL OFFICE).  
SEE TE PRODUCT SPECIFICATION 108-2375 FOR TEST SEQUENCES.
- 3 SPECIFIED POSITIONAL TOLERANCE DEFINES HOLE TO HOLE LOCATION WITHIN HOLE PATTERN. POSITIONAL TOLERANCE OF HOLE PATTERN TO FIDUCIAL MARKS OR PCB DATUMS SHALL BE DEFINED BY CUSTOMER.
- 4 AREA RESERVED FOR TE CONNECTIVITY LOGO.
- 5 AREA RESERVED FOR PART NUMBER (X-XXXXXX-X) AND DATE CODE (YYWW).
- 6 USE CENTER LINES INDICATED ON PCB HOLE PATTERN TO ESTABLISH ALIGNMENT BETWEEN HEADER AND RECEPTACLE BOARDS.
- 7 PLATED THROUGH HOLE REQUIREMENTS:  
HOLE SIZE PRIOR TO PLATING =  $\varnothing 0.700 \pm 0.025$   
COPPER PLATING THICKNESS =  $0.038 \pm 0.013$   
CALCULATED FINISHED HOLE SIZE =  $\varnothing 0.624 \pm 0.051$   
THESE DIMENSIONS APPLY TO THE TOP 1.50mm OF THE PCB THICKNESS FROM THE CONNECTOR MOUNTING SIDE.



**SIZE 2 HALF-WIDE \***  
**12 POWER CONTACTS**

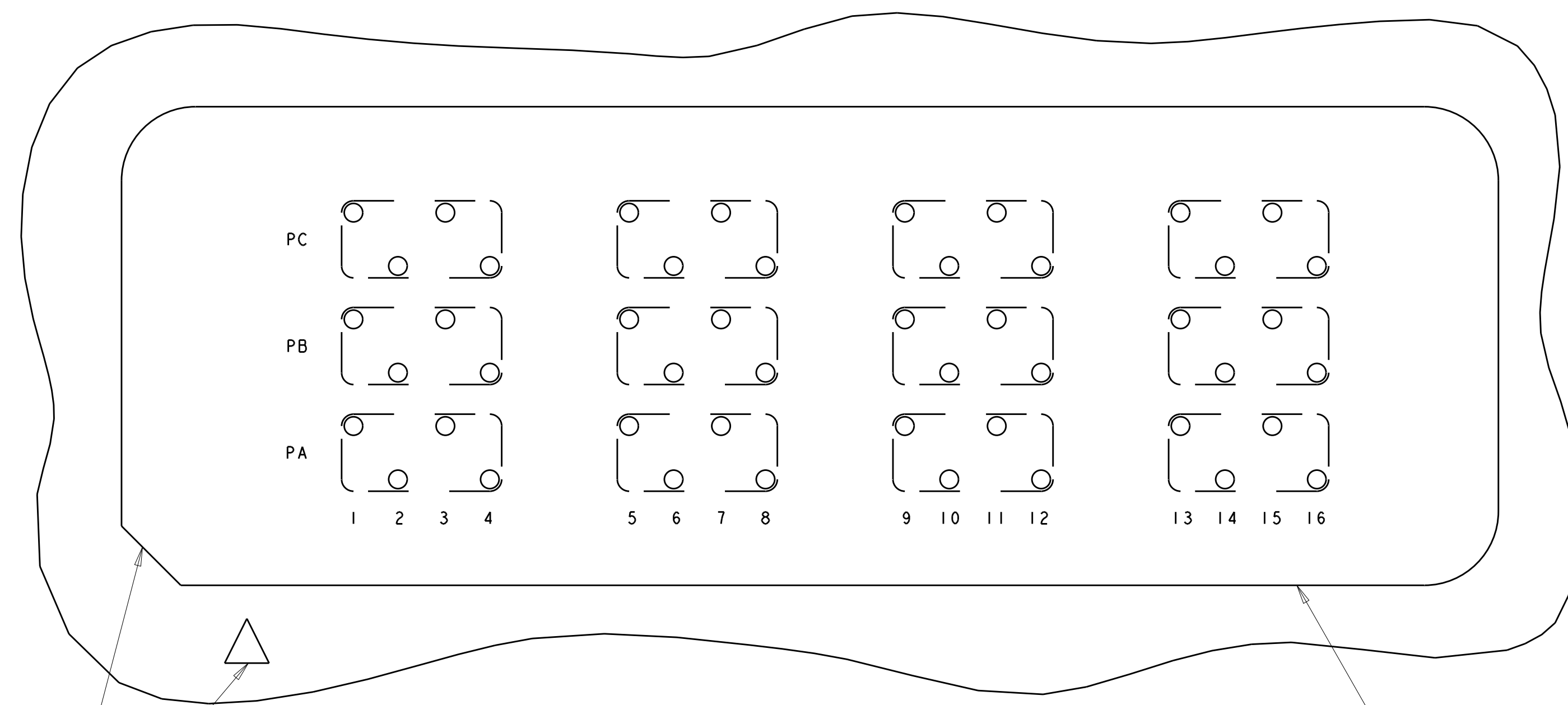
\* SIZE 1 AND SIZE 3 ARE ALSO AVAILABLE



THIS PRODUCT HAS NOT COMPLETED VALIDATION AND QUALIFICATION TESTING

THIS DRAWING IS A CONTROLLED DOCUMENT.		DWN HAMNER 28OCT2010	TE Connectivity	
DIMENSIONS: mm		CHK D. TROUT 27OCT2010	NAME RECEPTACLE ASSEMBLY, HALF-WIDE, 12P, STRADA MESA MEZZANINE CONNECTOR	
TOLERANCES UNLESS OTHERWISE SPECIFIED:		APVD J. FEDDER 27OCT2010	SIZE CAGE CODE DRAWING NO. RESTRICTED TO	
9 PLC ±		PRODUCT SPEC 108-2375	A100779C=2149531	
1 PLC ±0.13		APPLICATION SPEC 114-13249	SCALE 6:1 SHEET 1 OF 3 REV 3	
3 PLC ±0.013		WEIGHT -		
4 PLC ±		CUSTOMER DRAWING		
ANGLES #1				
FINISH				

LOC	DIST	REVISIONS			
GP	00	REV	DATE	BY	APPD
-	-	1	SEE SHEET 1	-	-
-	-	-	-	-	-
-	-	-	-	-	-



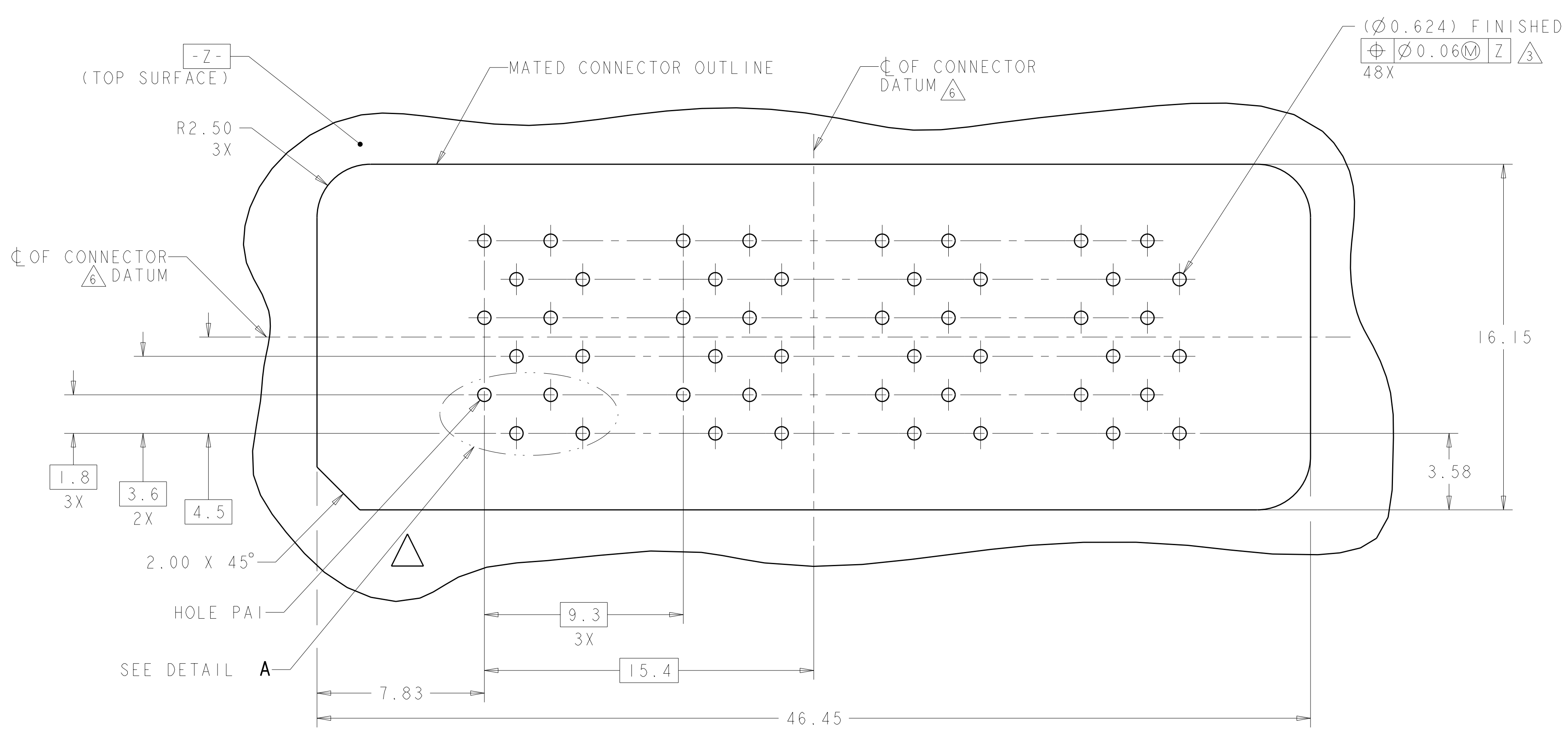
MATED CONNECTOR OUTLINE  
 SEE SHEET 3 FOR LOCATION TO HOLES

A1 CORNER  
 INDICATORS.

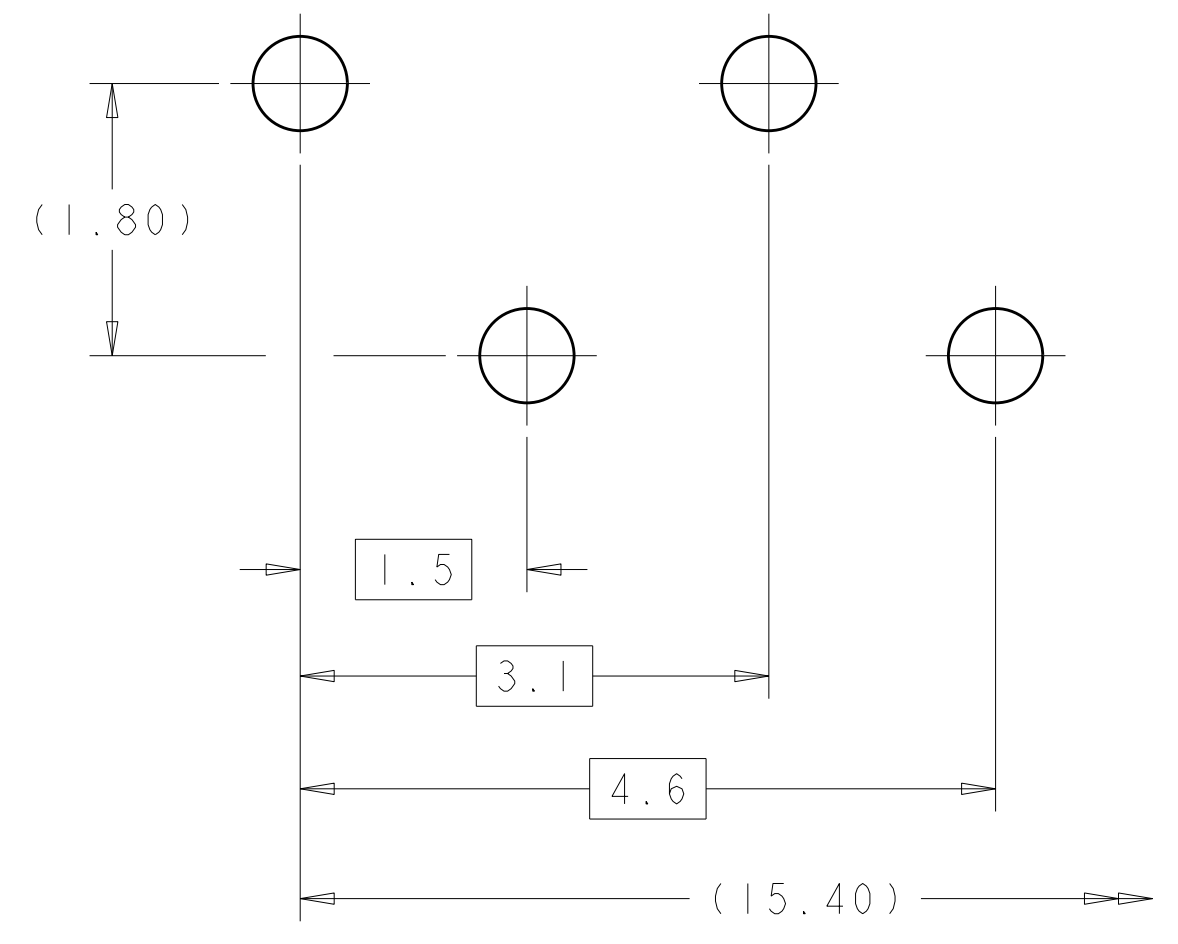
**PCB LAYOUT AND PIN IDENTIFICATION**  
 SHOWN FROM CONNECTOR SIDE  
 SCALE 7:1

THIS DRAWING IS A CONTROLLED DOCUMENT.		DWN HAMNER 28OCT2010	TE Connectivity
DIMENSIONS: mm		CHK D. TROUT 27OCT2010	
TOLERANCES UNLESS OTHERWISE SPECIFIED: 9 PLC ± 2 PLC ±0.13 5 PLC ±0.013 4 PLC ± ANGLES ±#1 FINISH		APVD FEDEER 27OCT2010	NAME RECEPTACLE ASSEMBLY, HALF-WIDE, 12P, STRADA MESA MEZZANINE CONNECTOR
MATERIAL		PRODUCT SPEC 108-2375	SIZE CAGE CODE DRAWING NO A100779C=2149531
WEIGHT		APPLICATION SPEC 114-13249	RESTRICTED TO
CUSTOMER DRAWING		SCALE 6:1 SHEET 2 OF 3 REV 3	

LOC	DIST	REV	DATE	BY	APPD
GP	00				
REVISIONS					



**PCB HOLE PATTERN**  
SHOWN FROM CONNECTOR SIDE  
SCALE 7:1



**DETAIL A**  
12X  
SCALE 20:1

THIS DRAWING IS A CONTROLLED DOCUMENT.		DWN HAMNER 28OCT2010	TE Connectivity
DIMENSIONS: mm		CHK D. TROUT 27OCT2010	
TOLERANCES UNLESS OTHERWISE SPECIFIED:		APVD J. FEEDER 27OCT2010	NAME RECEPTACLE ASSEMBLY, HALF-WIDE, 12P, STRADA MESA MEZZANINE CONNECTOR
Ø	PLC ±	PRODUCT SPEC 108-2375	SIZE CAGE CODE DRAWING NO. RESTRICTED TO
PLC	±0.13	APPLICATION SPEC 114-13249	A100779C=2149531
PLC	±0.013	WEIGHT	SCALE 6:1 SHEET 3 OF 3 REV 3
PLC	±	CUSTOMER DRAWING	
ANGLES	±		
FINISH	#1		