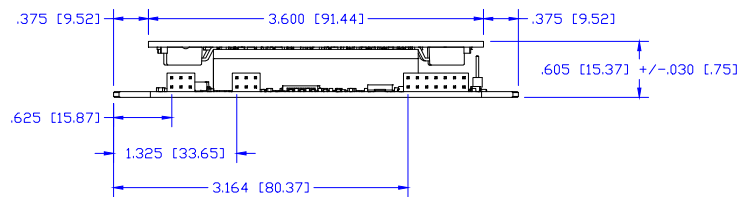
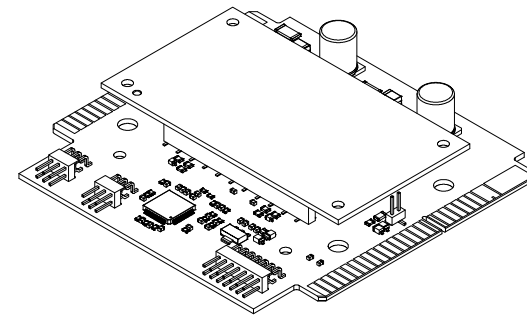
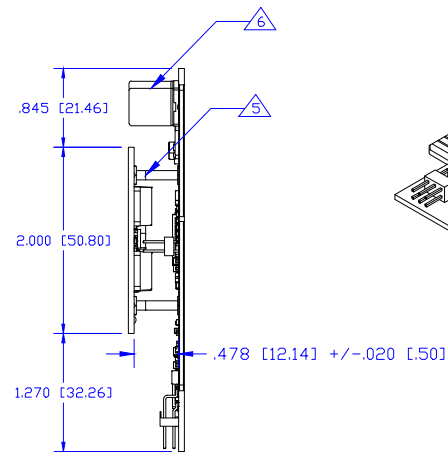
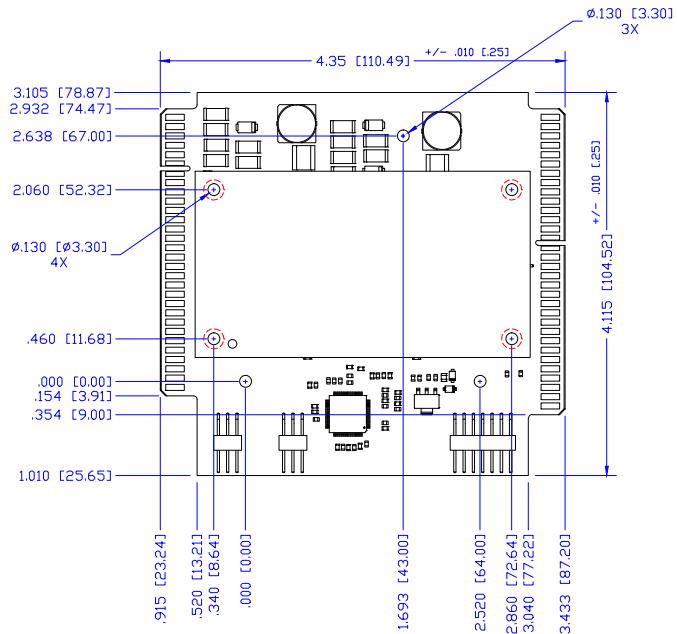


4

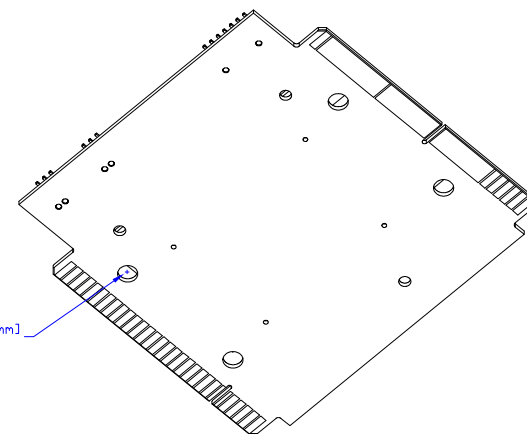
3

2

1



8  $\phi$ .216 [5.5mm] 4X



#### NOTES:

- Dimensions are inches; alternate units are [mm].
- Recommended mating edge connector or equivalent:  
64-pin TE Connectivity p/n 1761469-1  
60-pin TE Connectivity p/n 1-5530843-8
- Material:  
Digital unit - .062 [1.57] thick FR-4, 2 oz. Cu conductors.  
Analog unit - .062 [1.57] thick, 2 oz. Cu conductors over 600V dielectric over aluminum substrate.
- Hard gold plating on edge connector contacts.
- Not recommended that mating connectors between digital and analog unit be used as mechanical support.
- When designing or choosing a heatsink, allow adequate space for components on the digital unit.
- Use #4 or equivalent screws for analog unit to heatsink.
- Four holes in digital unit, used to access mounting holes of analog unit, are .216in. [5.5mm].
- Package weight: 85.00 g

TOLERANCES - UNLESS OTHERWISE SPECIFIED	
.XX = ±.01 [125]	
.XXX = ±.005 [063]	
ANG. = ±2°	



TITLE: <b>Module Edge Conn 60P,64P</b>		MODEL:
SUBJECT: <b>PACKAGE DRAWING</b>		
ENGINEER: <b>J.A</b>	DRAWN BY: <b>J.FAY</b>	DATE: <b>15346</b>
SHEET: <b>1</b>	OF: <b>1</b>	FILENAME: <b>NC.DWG</b>

MODEL: <b>NC</b>	
REV: <b>A</b>	DATE: <b>15OCT15</b>

4

3

2

1