

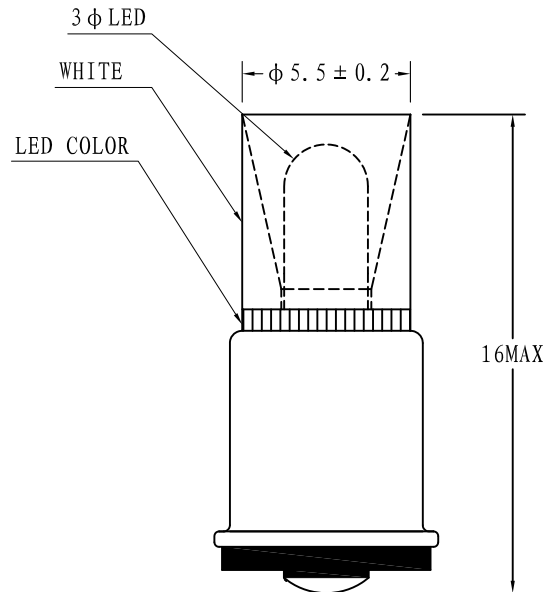


VC15101 Series

T-1 3/4 Midget Flange Based LED

Description and Features

- Replaces incandescent lamp #'s
 - 12V — 394, 330, 382
 - 24V and 28V — 327, 376, 385, 387
- Extremely high brightness with low current draw
- Long life — typically 100K hours vs. 10K hours
- Low heat generation
- Available in five standard colors. Custom colors available upon request
- Shock and vibration proof
- Storage temperature: -40°C - +85°C
- Ambient temperature: -40°C - +85°C
- Due to production tolerances, color temperature variations may be detected within individual consignments



Electro-Optical Characteristics and Ratings

Part Number	Color	Voltage V DC	Current mA	Lumi. Intensity mcd	Peak Wavelength nm	50% Power Angle (deg)
VC1510125UR3	Red	12	14	330	630	20
VC1510125UG3	Green	12	14	910	525	25
VC1510125UY3	Yellow	12	14	280	587	20
VC1510125B3	Blue	12	14	350	470	25
VC1510125W3	White Clear	12	14	700	*	30
VC1510125W3D	White Diffused	12	14	350	*	30
VC1510135UR3	Red	24	14	330	630	20
VC1510135UG3	Green	24	14	910	525	25
VC1510135UY3	Yellow	24	14	280	587	20
VC1510135B3	Blue	24	14	350	470	25
VC1510135W3	White Clear	24	14	700	*	30
VC1510135W3D	White Diffused	24	14	350	*	30
VC1510145UR3	Red	28	14	330	630	20
VC1510145UG3	Green	28	14	910	525	25
VC1510145UY3	Yellow	28	14	280	587	20
VC1510145B3	Blue	28	14	350	470	25
VC1510145W3	White Clear	28	14	700	*	30
VC1510145W3D	White Diffused	28	14	350	*	30