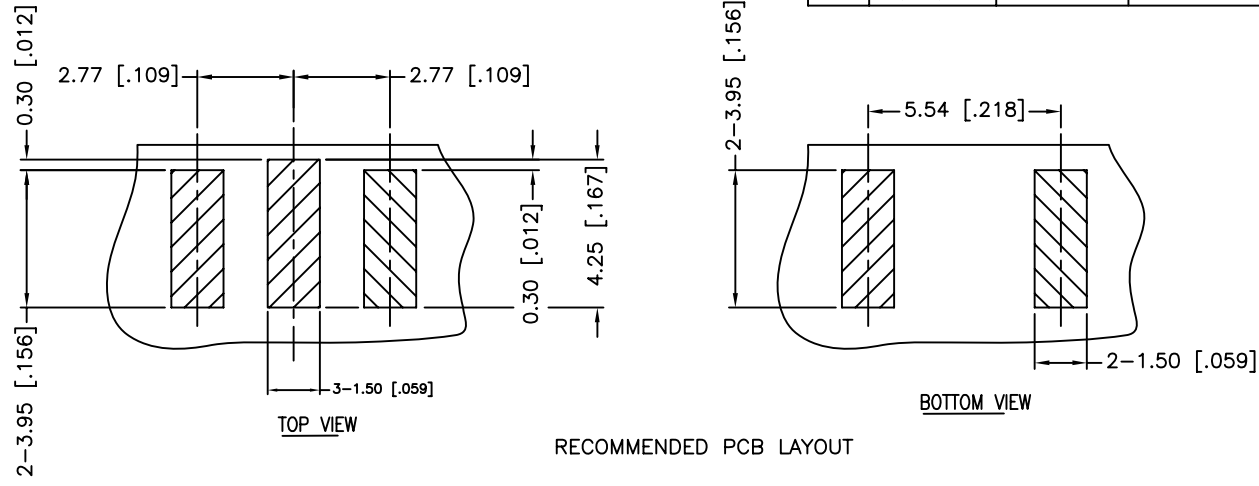
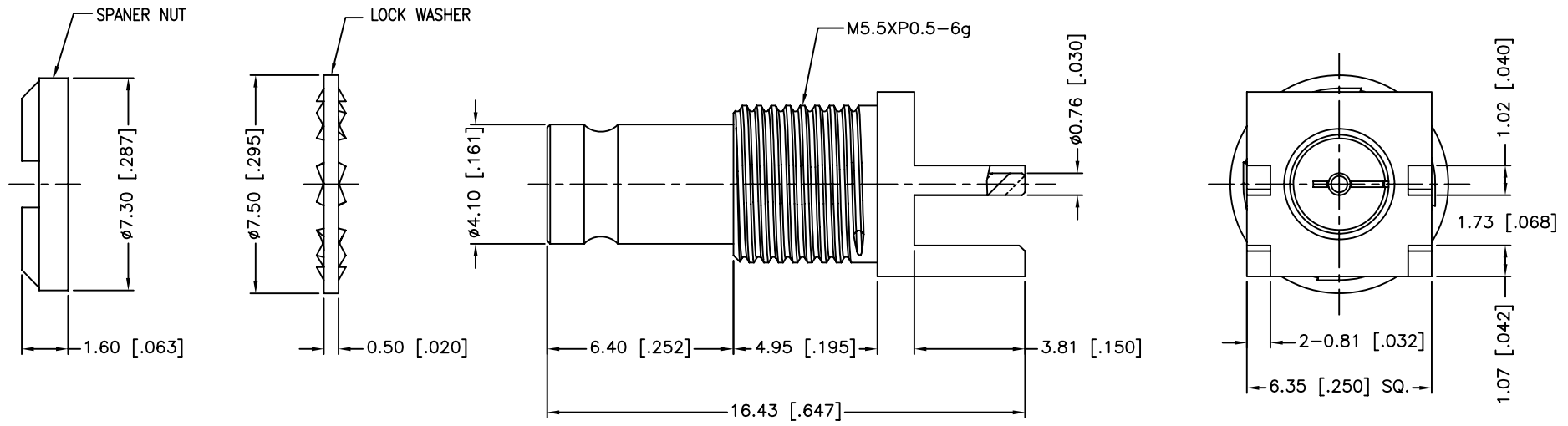


| REV. | DATE | ECR NO. | DESCRIPTION |
|------|----------|---------|-----------------|
| NC | 03/08/10 | XXXXXX | INITIAL RELEASE |



RECOMMENDED PCB LAYOUT



1. FREQUENCY RANGE: 0 - 3 GHz
2. VSWR (RETURN LOSS): 1.15 MAX.

| QTY | DESCRIPTION | MATERIAL | FINISH |
|-----|-------------|-------------|---------|
| 1 | SPANNER NUT | BRASS | GOLD |
| 1 | LOCK WASHER | BRASS | GOLD |
| 1 | CONTACT PIN | BER. COPPER | GOLD |
| 1 | INSULATOR | PTFE | NATURAL |
| 1 | BODY | BRASS | GOLD |

UNLESS OTHERWISE SPECIFIED DIMENSIONS ARE IN MILLIMETERS. DIMENSIONS IN [] ARE IN INCHES AND FOR CUSTOMER REFERENCE ONLY.

UNLESS OTHERWISE SPECIFIED TOLERANCES FOR MILLIMETERS ARE:
0.5 - 8mm ± 0.20mm
8 - 30mm ± 0.40mm
30 - 120mm ± 0.50mm

UNLESS OTHERWISE SPECIFIED TOLERANCES FOR INCHES ARE:
.020 - .315 ± 0.007"
.315 - 1.180 ± 0.015"
1.180 - 4.724 ± 0.020"

DO NOT SCALE DRAWING

| APPROVALS | DATE |
|----------------------------------|----------|
| DRAWN M.ZHANG | 03/08/10 |
| CHECKED | |
| ISSUED | |
| SHEET 1 OF 1 | |
| CAD FILE C:/CONNEX/282133-75.DWG | |

Amphenol Connex

PART DESCRIPTION
**1.0/2.3 END LAUNCH RECEPT. BULK HAND JACK
- 75 OHM (.062" BOARD THICKNESS)**

PART NO.
282133-75

DWG. NO. 282133-75.DWG REV. NC SIZE A SCALE NA