

molex SALES PACKAGING SPECIFICATION

LANGUAGE
JAPANESE
ENGLISH

1. 製品名称 / PRODUCT NAME : 2.0MM PITCH W/B CONN. RECEPTACLE HOUSING

製品番号 / PART NUMBER : 5 0 5 1 5 1 * * 0 0

(* * は極数を示す)

(* * IS CIRCUITS SIZE)

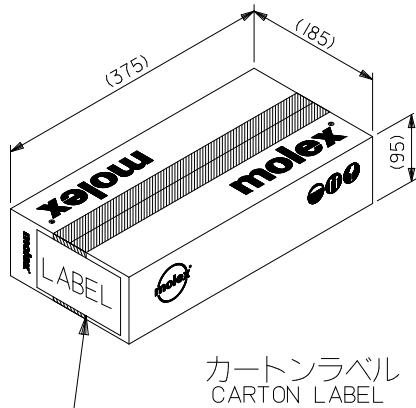
2. 標準梱包数 / STANDARD PACKAGING QUANTITY

極 数 CKT. SIZE	ポリ袋 POLY BAG	内装カートン PRIMARY CARTON		外装カートン SHIPPING CARTON
	1袋中の製品数 QUANTITY IN ONE BAG	ポリ袋の数 NUMBER OF POLY BAG	製品数 QUANTITY	製品数(内装カートン×4) QUANTITY (PRIMARY CARTON X4)
2	1,000	8	8,000	32,000
3	1,000	7	7,000	28,000
4	1,000	6	6,000	24,000
5	500	10	5,000	20,000
6	500	8	4,000	16,000
7	500	8	4,000	16,000
8	500	7	3,500	14,000
9	500	6	3,000	12,000
10	500	5	2,500	10,000
11	500	5	2,500	10,000
12	500	5	2,500	10,000
13	500	4	2,000	8,000
14	500	4	2,000	8,000
15	500	4	2,000	8,000

REV.	C						
SHEET	1~2						
REVISE ON PC ONLY				TITLE:			
C	REVISED J2015-0881 2015/01/08 Y.TOKUZONO			5 0 5 1 5 1 梱包仕様書 SALES PACKAGING SPEC. FOR 505151			
	THIS DOCUMENT CONTAINS INFORMATION THAT IS PROPRIETARY TO MOLEX INC. AND SHOULD NOT BE USED WITHOUT WRITTEN PERMISSION						
REV.	DESCRIPTION			WRITTEN BY:	CHECKED BY:	APPROVED BY:	DATE: YR/MO/DAY
	DESIGN CONTROL J	STATUS		Y.TOKUZONO	T.HARUYAMA	H.HIRATA	2014/06/09

DOCUMENT NUMBER SPK-505151-001	FILE NAME SPK505151001.docx	SHEET 1 OF 2
--	--------------------------------	-----------------

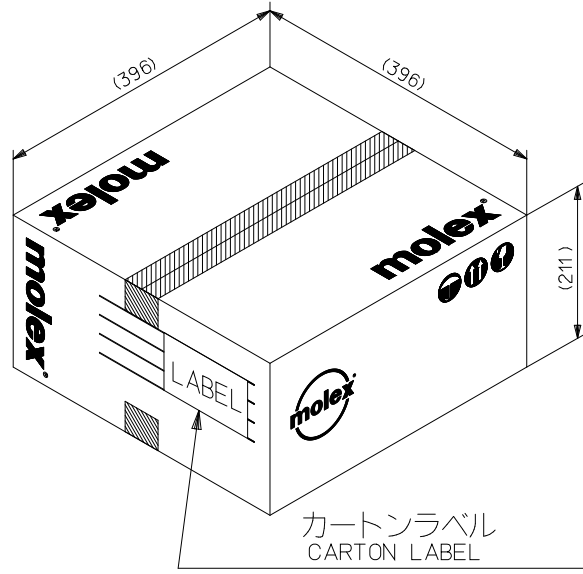
3. カートン外形参考寸法 / CARTON OUTER DIMENSIONS (REFERENCE PURPOSE ONLY) 単位 / UNIT: mm



カートンラベル
CARTON LABEL

(製品型番, 数量, ロットNO. 表示)
INDICATION OF PART No., QUANTITY, LOT No.

内装カートン
PRIMARY CARTON



カートンラベル
CARTON LABEL

(製品型番, 数量, ロットNO. 表示)
INDICATION OF PART No., QUANTITY, LOT No.

外装カートン
SHIPPING CARTON

REVISE ON PC ONLY		TITLE:	
C	SEE SHEET 1 OF 2	505151 梱包仕様書 SALES PACKAGING SPEC. FOR 505151	
	REV.	DESCRIPTION	THIS DOCUMENT CONTAINS INFORMATION THAT IS PROPRIETARY TO MOLEX INC. AND SHOULD NOT BE USED WITHOUT WRITTEN PERMISSION
DOCUMENT NUMBER SPK-505151-001		FILE NAME SPK505151001.docx	SHEET 2 OF 2
EN-037(2013-04 rev.1)			