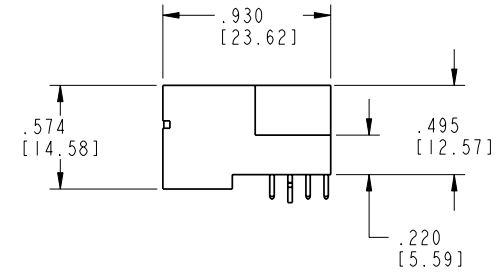
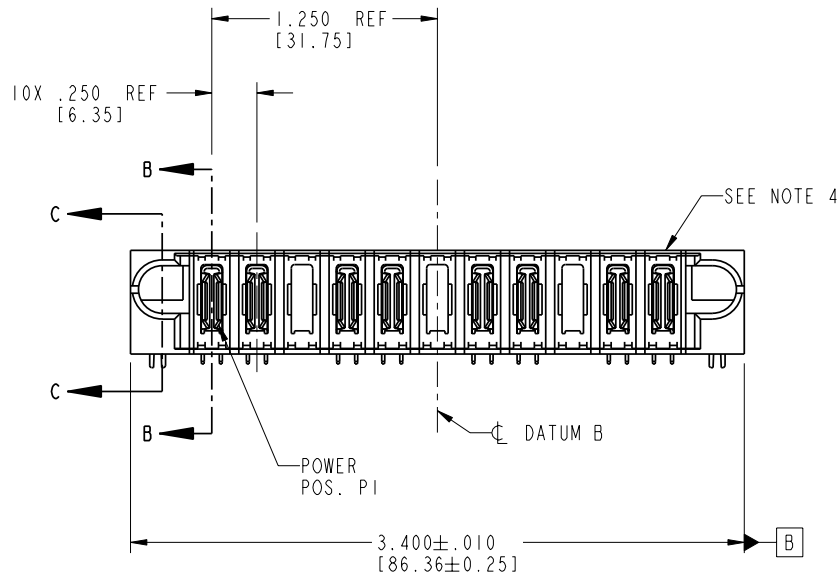
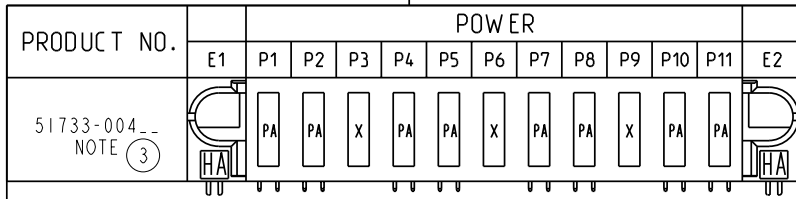


Tous droits strictement réservés. Reproduction ou communication à des tiers interdite sous quelque forme que ce soit sans autorisation écrite du propriétaire. Propriété de c FCI. Droits de reproduction FCI.

All rights strictly reserved. Reproduction or issue to third parties in any form without written authority from the proprietor. Property of FCI. Copyright FCI.



CODE	DIM "M" MATING LENGTH	CONTACT TYPE
PA	N/A [N/A]	POWER
HA	N/A [N/A]	HOLD-DOWN
X	OMITTED	OMITTED

mat'l code SEE NOTE 2				tolerances unless otherwise specified		CUSTOMER		 www.fciconnect.com	
lfr	ecn no.	dr	date	linear	.XX±.01/0.X±0.3	COPY		projection	
A	DG06-0086	RYAN	03/03/06	angles	.XXX±.005/0.XX±0.13	INCH/MM		title	
				dr	.XXX±.002/0.XXX±0.051	scale		RIGHT ANGLE SOLDER HEADER	
				engr	0°±2°	1:1		product family PwrBlade code	
				chr				size	
				appd				dwg no	
								51733-004	
sheet index	revision sheet	A	A	A	A			sheet 213	
		1	2	3	4			1 of 4	

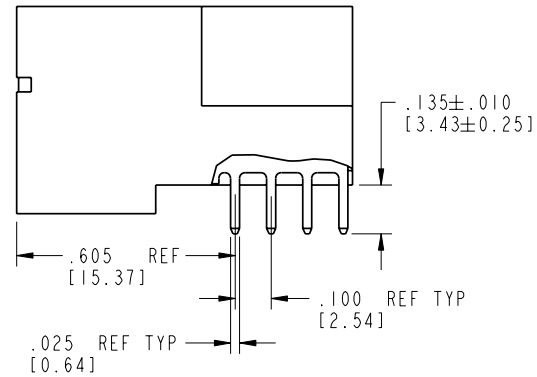
cage code 22526

Pro/E

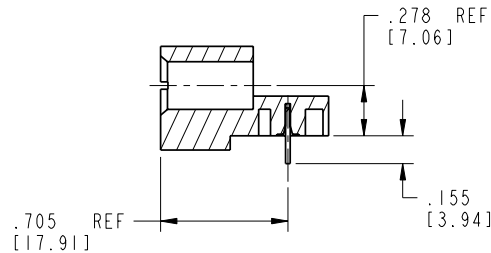
Tous droits strictement reserves. Reproduction ou communication a des tiers interdite sous quelque forme que ce soit sans autorisation ecrite du proprietaire. Propriete de c FCI. Droits de reproduction FCI.

All rights strictly reserved. Reproduction or issue to third parties in any form without is not permitted without written authority from the proprietor. Property of FCI. Copyright FCI.

PRODUCT NUMBER
51733-004
NOTE ③



BROKEN-OUT SECTION B-B
SCALE 2:1



SECTION C-C

mat'l code SEE NOTE 2				tolerances unless otherwise specified		CUSTOMER		A FCI		www.fciconnect.com	
lir	ecn no.	dr	date	linear	.XX±.01/0.X±0.3	COPY		projection	title		
A					.XXX±.005/0.XX±0.13			⊕	IIP		
				angles	.XXX±.002/0.XXX±0.051				RIGHT ANGLE SOLDER HEADER		
				dr	0°±2°			INCH/MM	product family	PwrBlade	code
				enr	RYAN YUAN 03/03/06			scale	size	dwg no	213
				chr	SALLY LUO 03/03/06			1:1	A	51733-004	sheet
				appd	BEER FU 03/03/06						2 of 4
					JOSEPH HSIA 03/03/06						
sheet index	revision sheet										

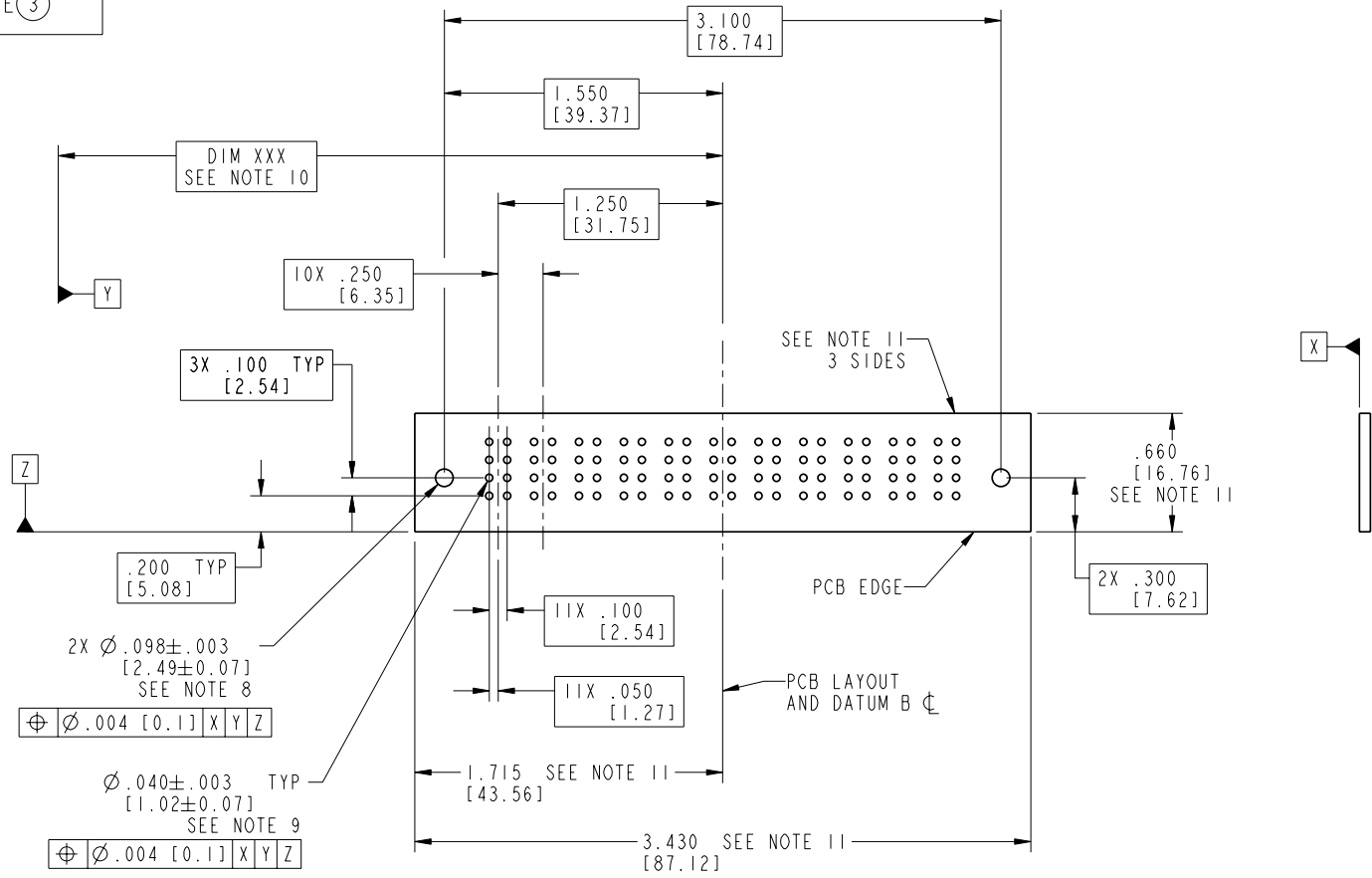
cage code 22526

Pro/E

Tous droits strictement réservés. Reproduction ou communication à des tiers interdite sans quelque forme que ce soit sans autorisation écrite du propriétaire. Propriété de c FCI. Droits de reproduction FCI.

All rights strictly reserved. Reproduction or issue to third parties in any form whatsoever is not permitted without written authority from the proprietor. Property of FCI. Copyright FCI.

PRODUCT NUMBER
51733-004
NOTE ③



RECOMMENDED PCB LAYOUT

mat'l code SEE NOTE 2				tolerances unless otherwise specified		CUSTOMER		 www.fciconnect.com	
lfr	ecn no.	dr	date	linear	.XX±.01/0.X±0.3	COPY		projection	title
A					.XXX±.005/0.XX±0.13				IIP
				angles	.XXX±.002/0.XXX±0.051				RIGHT ANGLE SOLDER HEADER
				dr	0°±2°	RYAN YUAN 03/03/06		INCH/MM	product family PwrBlade
				enrg		SALLY LUO 03/03/06		scale	code 213
				chr		BEER FU 03/03/06		1:1	product family PwrBlade
				appd		JOSEPH HSIA 03/03/06		size	code 213
sheet index		revision sheet						size	dwg no 51733-004
								scale	sheet 3 of 4

cage code 22526

Pro/E

Tous droits strictement réservés. Reproduction ou communication à des tiers interdite sans quelque forme que ce soit sans autorisation écrite du propriétaire. Propriété de c FCI. Droits de reproduction FCI.



All rights strictly reserved. Reproduction or issue to third parties in any form whatever is not permitted without written authority from the proprietor. Property of FCI. Copyright FCI.

1 | 2

3 |

4

PRODUCT NUMBER

51733-004_ _
NOTE ③

NOTES:

1. DIMENSIONS AND TOLERANCES ARE IN ACCORDANCE WITH ASME Y14.5M, 1994 UNLESS OTHERWISE SPECIFIED.

CONNECTOR NOTES:

② HOUSING MATERIAL: UL 94 V-0 GLASS FILLED HIGH-TEMP THERMOPLASTIC
POWER CONTACT MATERIAL: COPPER ALLOY
SIGNAL PIN MATERIAL: COPPER ALLOY

③ PLATING:
SEE PRINT 10064183 FOR PLATING SPEC OF 51733-004; 51733-004LF

④ MANUFACTURER'S NAME, P/N, AND DATE CODE TO APPEAR ON THIS SURFACE.

5. PRODUCT SPECIFICATION GS-12-149.
APPLICATION SPECIFICATION BUS-20-067.

6. PACKAGED IN TRAYS.

PCB NOTES:

7. ALL HOLE DIAMETERS ARE FINISHED HOLE SIZE.

⑧ MOUNTING HOLES, WHERE APPLICABLE, ARE UNPLATED.

⑨ $\varnothing .0453 \pm .0010$ [1.151 \pm 0.025] DRILLED HOLES PLATED WITH
.0003 [0.008] MIN SnPb OVER .001 [0.03]
TO .003 [0.08] Cu PLATING TO ACHIEVE
 $\varnothing .040 \pm .003$ [1.02 \pm .07] HOLE.

⑩ "DIM XXX" TO BE DETERMINED BY THE CUSTOMER.

⑪ CONNECTOR KEEP-OUT ZONE.

A

A

B

B

mat'l code				SEE NOTE 2		tolerances unless otherwise specified		CUSTOMER		 www.fciconnect.com	
lfr	ecn no.	dr	date	linear	.XX±.01/0.X±0.3	COPY		projection	title		
A					.XXX±.005/0.XX±0.13				IIP		
				angles	.XXX±.002/0.XXX±0.051				RIGHT ANGLE SOLDER HEADER		
				dr	0° ± 2°	RYAN YUAN 03/03/06		INCH/MM	product family	PwrBlade	code
				enrg		SALLY LUO 03/03/06		scale	size	dwg no	213
				chr		BEER FU 03/03/06		1:1	A	51733-004	sheet
				appd		JOSEPH HSIA 03/03/06					4 of 4
sheet index		revision sheet									

1 | 2

3 |

4

Pro/E

cage code 22526