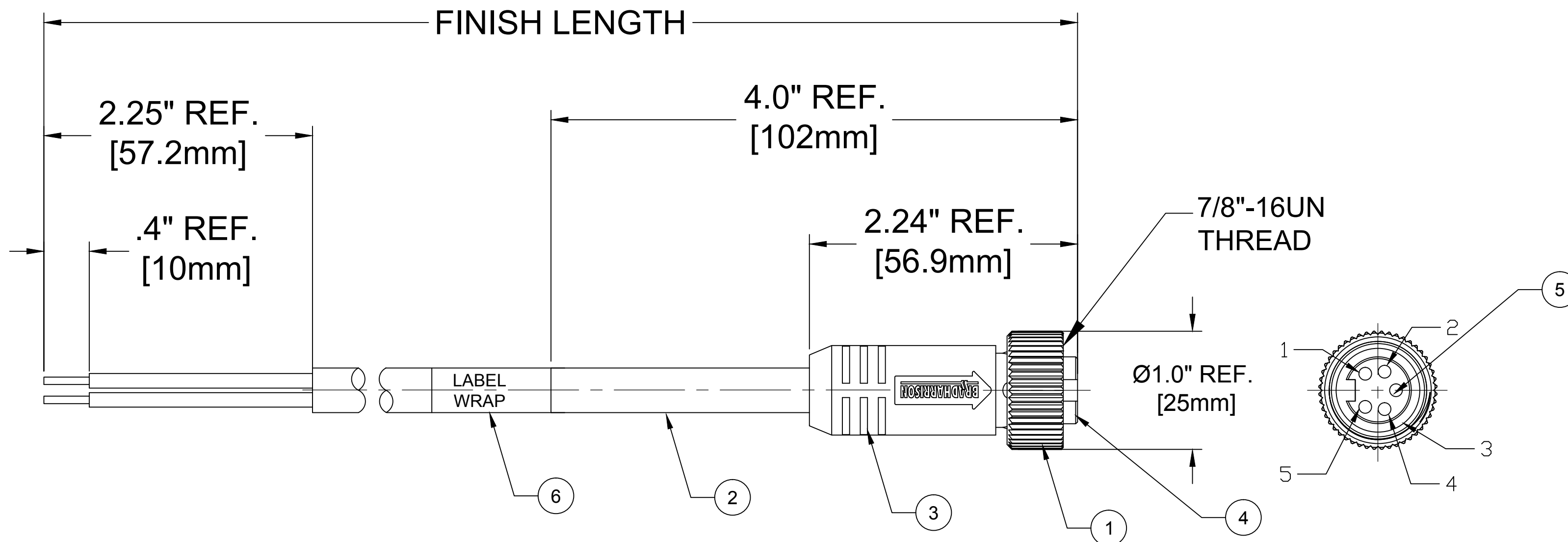


PART NO.	ENGINEERING NO.	FINISHED LENGTH
1300060048	105000K13M010	1.0M+55.6mm-0 [3'3"+2.19-0]
1300060049	105000K13M020	2.0M+88.9mm-0 [6'7"+3.50-0]

CHART  
①



NOTES: ①

- MATERIAL: AS NOTED
- FINISH: AS NOTED
- ELECTRICAL:  
VOLTAGE: 400V PER IEC60664  
600V PER UL2238  
CURRENT: 10A
- TEMP RATING: -40°TO +90°C
- PROTECTION: IP67 (WHEN MATED)
- ALL DIMS ARE FOR REFERENCE UNLESS NOTED OTHERWISE
- UL LISTED PER FILE: E152210

105000K13M010

cable type  
16/5C AWG  
TPE YELLOW

cable length  
M005= 0.5 METER  
M010= 1 METER  
M100= 10 METER

WIRING DIAGRAM

1	WHITE
2	RED
3	GREEN/YELLOW
4	ORANGE
5	BLACK

MECHANICAL CHARACTERISTICS:

TORSIONAL FLEX TEST	20 MILLION CYCLES PER MIL-C-13777G
BEND FLEX TEST	20 MILLION CYCLES PER MIL-C-13777G
WELD SLAG RESISTANCE	WOODHEAD STANDARD S-300

① CABLE LENGTH TOLERANCES

>.3M [1FT]: +19mm-0 [+ .75in-0]
.3 - .9M [1 - 3FT]: +44.5mm-0 [+1.75in-0]
.9 - 1.8M [3 - 6FT]: +55.6mm-0 [+2.19in-0]
1.8 - 3.7M [6 - 12FT]: +88.9mm-0 [+3.50in-0]
3.7 - 7.3M [12 - 24FT]: +165.1mm-0 [+6.50in-0]
7.3-14.6M [24 - 48FT]: +317.5mm-0 [+12.50in-0]
14.6 - 30.5M [48-100FT]: +622.3mm-0 [+24.50in-0]
OVER 30M [100FT] +2% OF FINISHED LENGTH

ITEM	DESCRIPTION	MATERIAL	FINISH
6	WRAP LABEL	VINYL	BLACK/YELLOW
5	CONTACT PIN	COPPER ALLOY	GOLD OVER Ni
4	INSERT	ARNITEL	YELLOW
3	OVERMOLD	ARNITEL	YELLOW
2	CABLE, 16/5C	STDOV FLX TPE	YELLOW
1	COUPLING NUT	ZINC DIE CAST	BLACK/E-COATED

ADD TABLE FOR PARTS EC NO: IPG2018-0001 DRWN: AAKHTAR 2017/07/06 CHKD: MZIELIN 2017/07/06 APPR: BWOODMAN2013/12/02	QUALITY SYMBOL	GENERAL TOLERANCES (UNLESS SPECIFIED)	DIMENSION STYLE	SCALE	DESIGN UNITS	THIRD ANGLE PROJECTION
	▽=0	mm INCH	IN/MM	---	INCH	
	∇=0	4 PLACES ±--- ±---	DRAWN BY DATE	TITLE		
		3 PLACES ±--- ±---	GGUSTAFS 2013/11/22	MINI CHANGE		
	2 PLACES ±--- ±.01	CHECKED BY DATE	5 POLE FEMALE STRAIGHT			
	1 PLACE ±--- ±---	TWOLDEGE 2013/12/17	16/5 AWG TPE YELLOW			
		APPROVED BY DATE	MOLEX INCORPORATED			
		BWOODMAN 2013/12/02	MOLEX INCORPORATED			
		MATERIAL NO.	DOCUMENT NO.			
		SEE CHART	SD-130006-069			
		SIZE C	SHEET NO. 1 OF 1			
		THIS DRAWING CONTAINS INFORMATION THAT IS PROPRIETARY TO MOLEX INCORPORATED AND SHOULD NOT BE USED WITHOUT WRITTEN PERMISSION				

ANGULAR ±.5°  
DRAFT WHERE APPLICABLE  
MUST REMAIN WITHIN DIMENSIONS

SIZE C

THIS DRAWING CONTAINS INFORMATION THAT IS PROPRIETARY TO MOLEX INCORPORATED AND SHOULD NOT BE USED WITHOUT WRITTEN PERMISSION