

THIS DRAWING IS UNPUBLISHED.

RELEASED FOR PUBLICATION

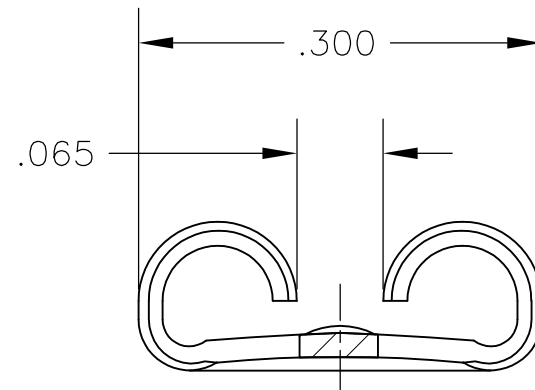
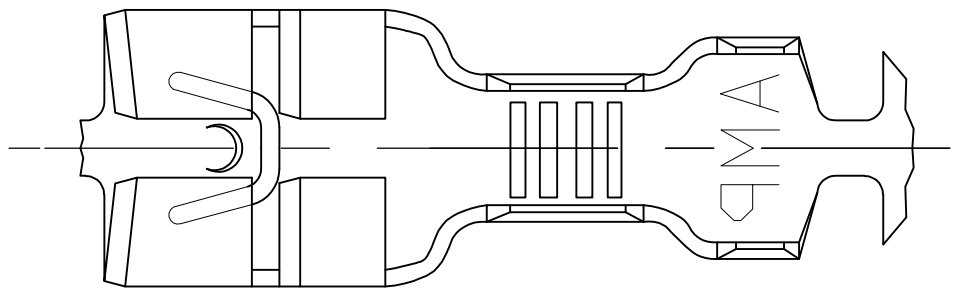
ALL RIGHTS RESERVED.

© COPYRIGHT - By -

LOC AF DIST 50

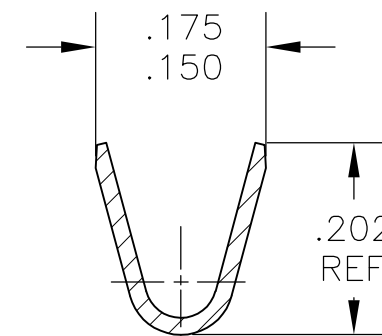
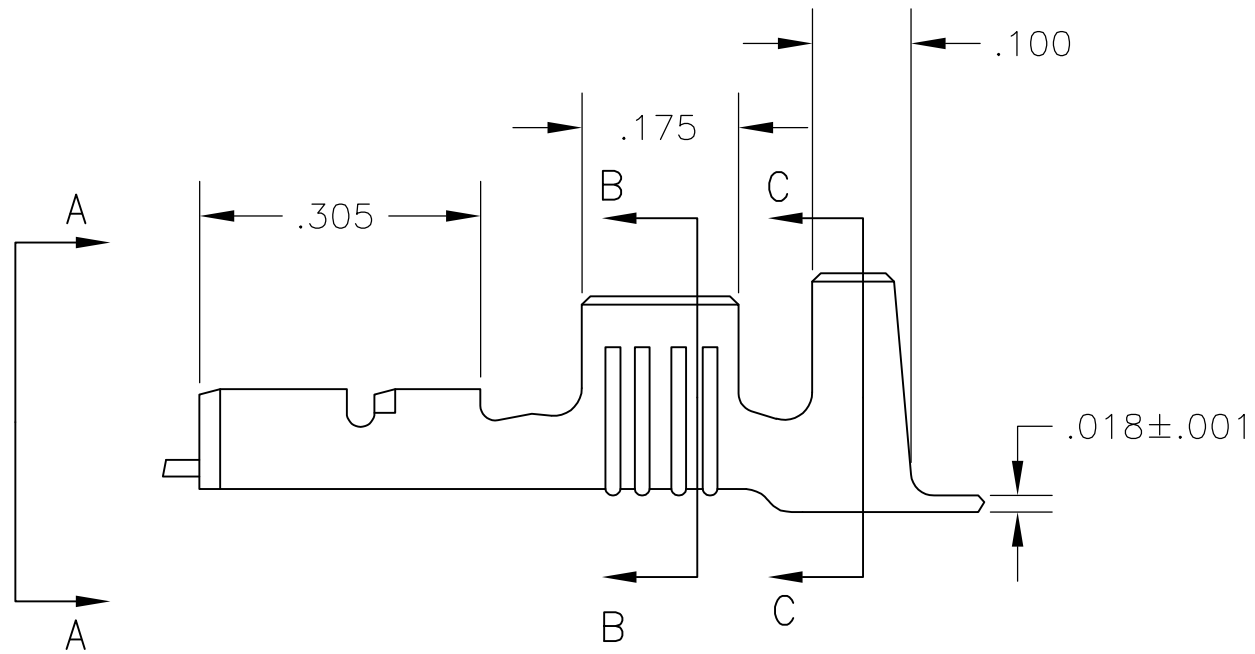
REVISIONS

P	LTR	DESCRIPTION	DATE	DWN	APVD
E		REVISED PER ECR-12-013518	23NOV2012	KH	PD

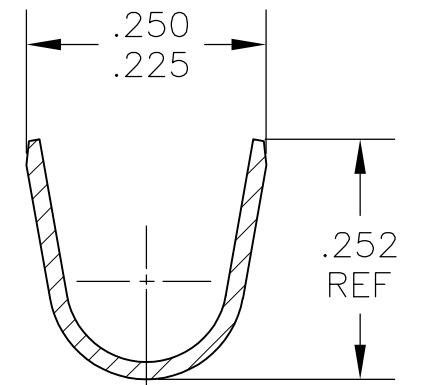


VIEW A-A

- 1 CONTINUOUS STRIP ON REELS.
- 2 MATING TAB THK IS $.032 \pm .001$
- 3 WIRE SIZE IS #14-#10 AWG
- 4 INSULATION RANGE IS .150-.200 DIA
- 5 SPECIAL PACKAGING
- 6 PRELIMINARY - NOT FOR PRODUCTION




SECTION B-B



SECTION C-C

5	6	63435-3
		63435-1
PART NO.		

THIS DRAWING IS A CONTROLLED DOCUMENT.		DWN JR RUTH 10/10/86	 TE Connectivity				
DIMENSIONS: INCHES		CHK G YETTER 10/12/86					
TOLERANCES UNLESS OTHERWISE SPECIFIED:		APVD R KUZO 10/12/86	NAME				
0 PLC ± - 1 PLC ± - 2 PLC ± - 3 PLC ± .010 4 PLC ± - ANGLES ± -		PRODUCT SPEC	RECEPTACLE, FASTON, LOW-INSERTION, .250 SERIES				
MATERIAL BRASS		FINISH SILVER	APPLICATION SPEC	SIZE	CAGE CODE	DRAWING NO	RESTRICTED TO
					A300779	C-63435	
CUSTOMER DRAWING			SCALE 5:1	SHEET 1 OF 1	REV E		