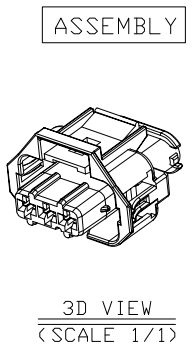
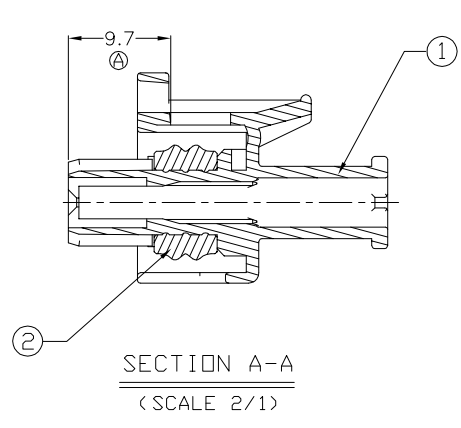
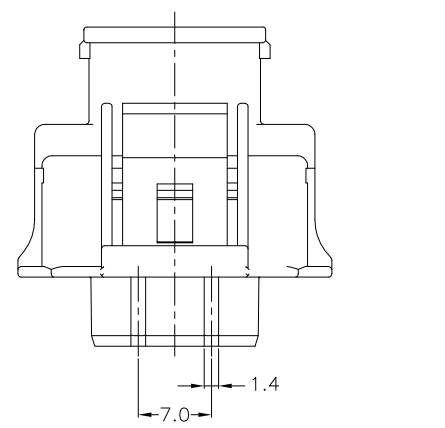
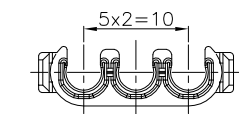
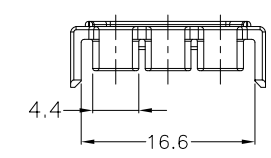


REVISIONS					
P	LTR	DESCRIPTION	DATE	DWN	APVD
	D	REVISED<ECR-05-016170>	06, OCT, '05	YD.	CS
	E	REVISED<ECR-13-000208>	08, JAN, '13	JM	HG
	E1	REVISED<ECR-13-008839>	01, JUN, '13	JM	HG
	E2	REVISED<ECR-14-014192>	29, SEP, '14	JM	HG
	E3	REVISED<ECR-16-008211>	08, JUN, '16	JM	JW

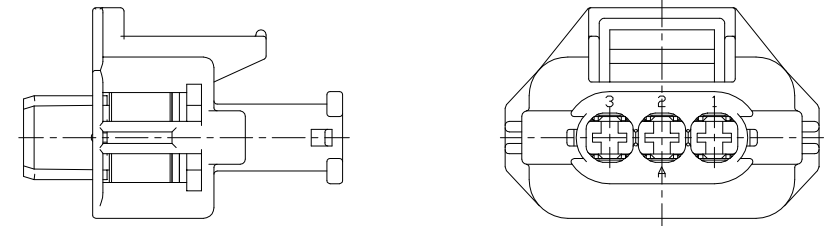
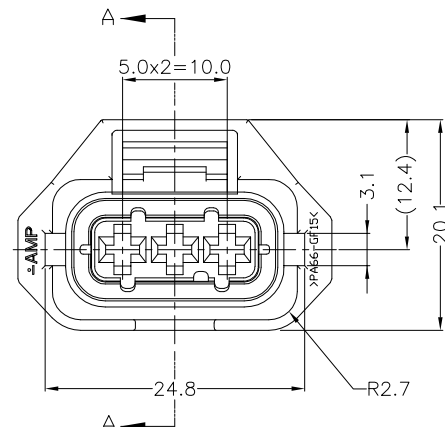
D
C
B
A



ACCESSORIES DRAWING
 1. DBL HSG : P/N:936106
 SCALE : 2/1

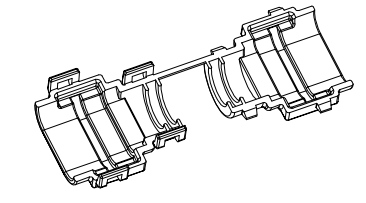


NOTE;
 1) MATERIAL : PBT



2. COVER HSG : P/N:936112
 SCALE : 2/1

NOTE;
 1) MATERIAL : NYLON 66
 2) CORRUGATOR DIAMETER : Ø7.0



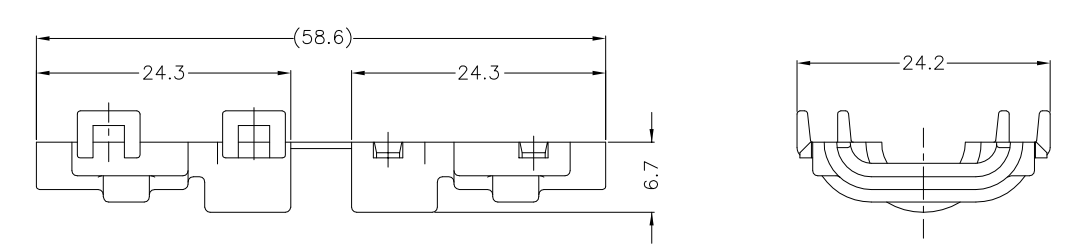
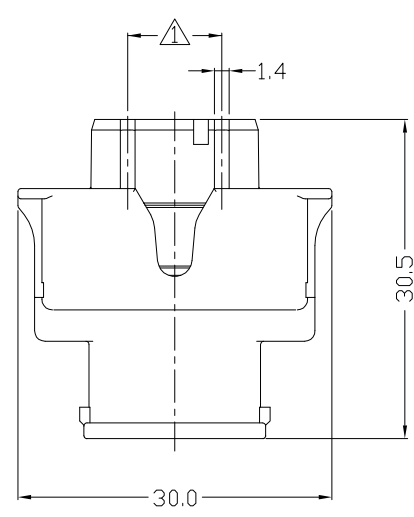
3D VIEW<SCALE 1:1>

4. APPLIED RECEPTACLE CONTACT P/N:

DESCRIPTION	2.8mm SENSOR-FLAT RECEPTACLE	
Part NO.	967542	967543
WIRE SIZE(mm ²)	0.5 ~ 1.0	1.25 ~ 2.5

5. APPLIED WIRE SEAL P/N:

DESCRIPTION	SINGLE-WIRE SEAL(5mm Hole)	
Part NO.	828904	828905
INSULATION DIA. (Ø)	1.2 ~ 2.1mm	2.2 ~ 3.0mm



(TABLE 1)

CODE I: 936060-1, -2, -3 1-936060-3	CODE II : N/A
	SEE DRAWING 936061
CODE III : 2-936060-1, -3	CODE IV : TBD

NOTE;
 1. CODING IS AS FOLLOWS; SEE TABLE 1.
 2. 0.15 MAX. WARPAGE AND 0.2 MAX. FLASH ARE PERMISSIBLE
 3. SURFACE DEFECTS ARE NOT ACCEPTABLE AS FOLLOWS: SINK, WELD LINES, HAIRCRACKS, STAINS & SCORES

QTY	P/N	DESCRIPTION	MATERIAL	COLOR	NO
1	936801-5	INNER SEAL	SILICONE	YELLOW	2
1	936801-3	INNER SEAL	SILICONE	BLUE	2
1	936801-1	INNER SEAL	SILICONE	RED ORANGE	2
1	2-936105-3	PLUG HSG	PA 66 GF15	GRAY	1
1	2-936105-1	PLUG HSG	PA 66 GF15	BLACK	1
1	936105-3	PLUG HSG	PA 66 GF15	GRAY	1
1	936105-1	PLUG HSG	PA 66 GF15	BLACK	1

ASSEMBLY P/N 2-936060-3 2-936060-1 1-936060-3 936060-2 936060-3 936060-1	DIMENSIONS: MM		TOLERANCES UNLESS OTHERWISE SPECIFIED: 0 <XX<10 ± 0.2 10 <XX<30 ± 0.25 30 <XX < 60 ± 0.3 ANGLES ± 3°		DWN JM JEON CHK - APVD JW JUNG		TE Connectivity 2.8mm SEALED 3P PLUG ASSEMBLY (FLAT SENSOR CONNECTOR)	
	3rd ANGLE PROJECTION		FINISH		PRODUCT SPEC			
	MATERIAL		SEE TABLE		APPLICATION SPEC		SIZE CAGE CODE DRAWING NO	
	MATERIAL		SEE TABLE		WEIGHT		RESTRICTED TO	

CUSTOMER DRAWING SCALE 2/1 SHEET 1 OF 1 REV E3