

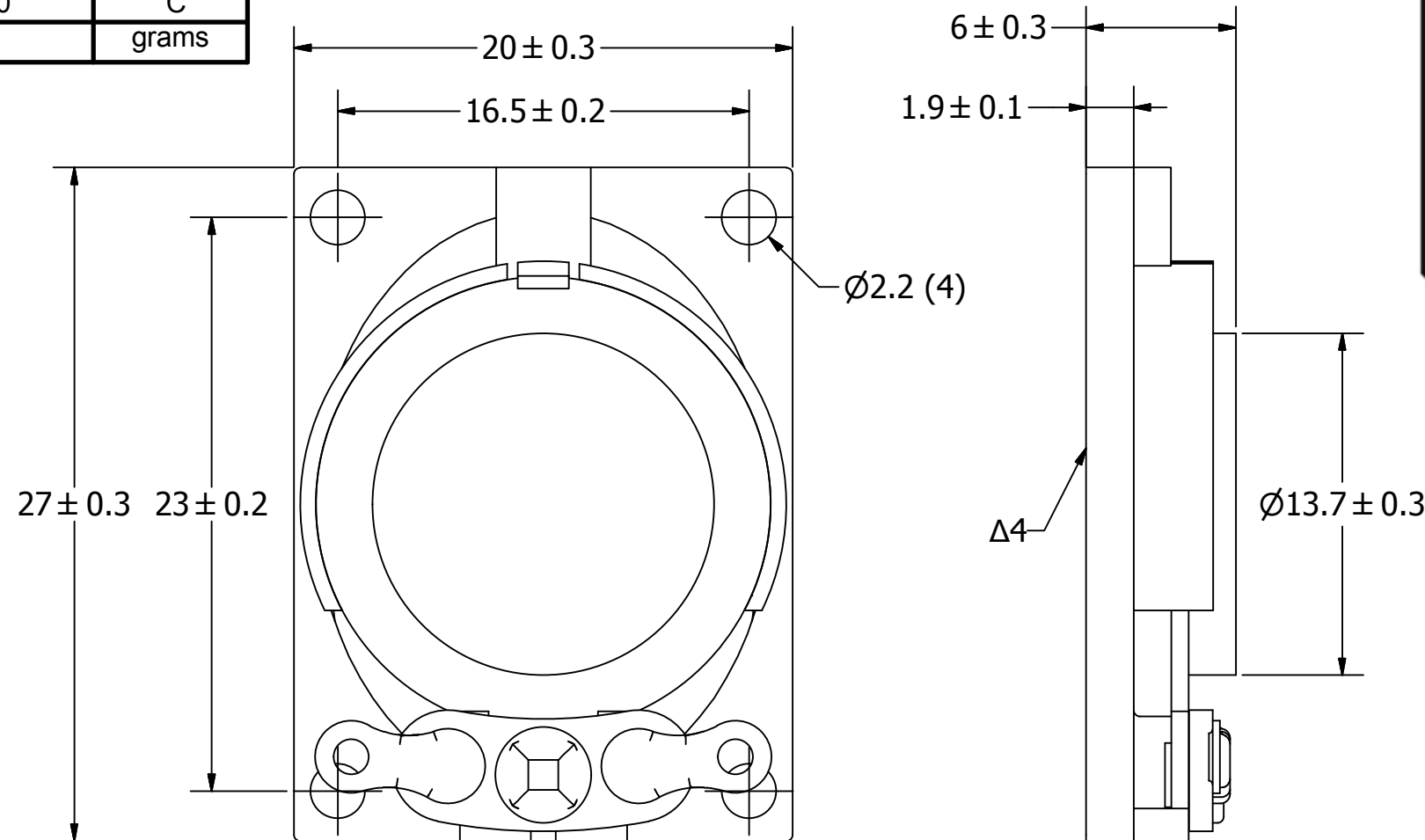
# SPECIFICATIONS

| PARAMETERS  | VALUES        | UNITS |
|---|---------------|-------|
| RATED INPUT POWER                                   | 1             | W     |
| MAX INPUT POWER                                     | 3             | W     |
| IMPEDANCE   | 8 ± 15%       | OHM   |
| OUTPUT SPL @ 1W/0.5M<br>(AT 0.8, 1.0, 1.2, 1.5 kHz) | 80 ± 3        | dBA   |
| DISTORTION (MAX.)                                   | 5%            | -     |
| RESONANT FREQUENCY                                  | 650 ± 20%     | Hz    |
| FREQUENCY RANGE                                     | 250 ~ 20,000  | Hz    |
| HOUSING MATERIAL                                    | ABS           | -     |
| CONE MATERIAL                                       | TREATED CLOTH | -     |
| MAGNET MATERIAL                                     | Nd-Fe-B       | -     |
| OPERATING TEMPERATURE                               | -20 ~ +60     | °C    |
| WEIGHT  | 4.5           | grams |

THIS DOCUMENT CONTAINS DATA PROPRIETARY TO PROJECTS UNLIMITED, INC. ANY USE OR REPRODUCTION, IN ANY FORM, WITHOUT PRIOR WRITTEN PERMISSION OF PROJECTS UNLIMITED, INC. IS PROHIBITED.  
©2003, Projects Unlimited Inc.

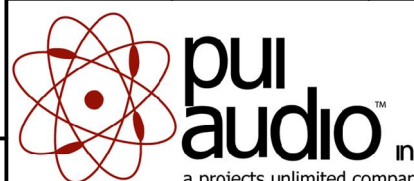
# REVISION HISTORY

| LTR | DESCRIPTION                                  | DATE      | APPROVED |
|-----|--|-----------|----------|
| -   | RELEASED FROM ENGINEERING                    | 8/17/2006 |          |
| A   | REVISED TO INVENTOR 3-D DRAWING TEMPLATE     | 10/7/2008 | B.R.     |
| B   | REVISED WIDTH, HEIGHT, & RESAONANT FREQUENCY | 6/29/2010 | J.D.     |
| C   | ADDED NOTE 5                                 | 8/11/2011 | B.R.     |



## NOTES:

1. ALL DIMENSIONS ARE IN MILLIMETERS.
2. SPECIFICATIONS SUBJECT TO CHANGE OR WITHDRAWL WITHOUT NOTICE.
3. THIS PART IS RoHS 2002/95/EC COMPLIANT.
- Δ4. CONE HAS BEEN TREATED FOR WATER RESISTANCE.
5. BASE SPEAKER PUI# AS02708CO-WR-R.

|  |                   |   |           |                                  |           |             |           |            |       |
|--|-------------------|---|-----------|----------------------------------|-----------|-------------|-----------|------------|-------|
| UNLESS OTHERWISE SPECIFIED:<br>DIMENSIONS ARE IN MILLIMETERS,<br>TOLERANCES ARE ±0.5 AND ANGLES ARE ±3°. | SIZE<br><b>A3</b> | Designed by   | Date      | Checked by                       | Date      | Approved by | Date      | Drawn Date |       |
|  |                   | J.D.  | 8/17/2006 | R.W.                             | 8/17/2006 | B.R.        | 8/17/2006 | 10/7/2008  |       |
| AS02708CO-WR-R.idw   |                   |  |           | <b>AS02708CO-WR-R</b><br>Speaker |           |             |           | Edition    | Sheet |
|  |                   |   |           |                                  |           |             |           | -          | 1 / 1 |