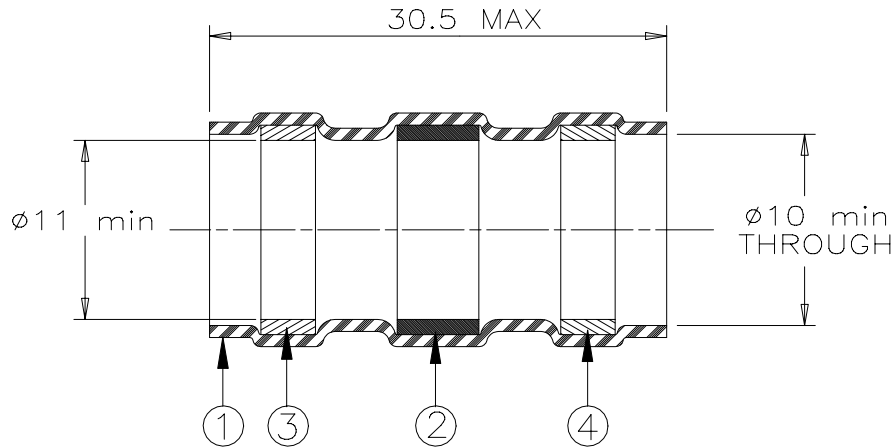


SPECIFICATION CONTROL DRAWING



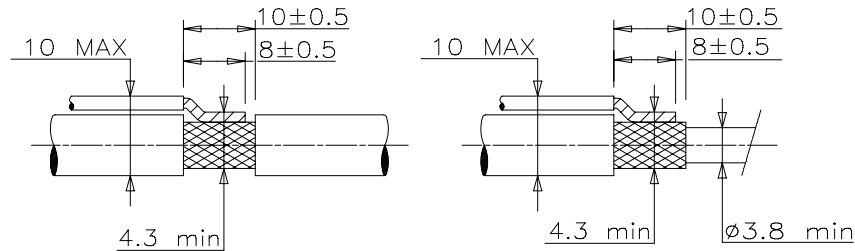
MATERIALS

1. INSULATION SLEEVE: Heat-shrinkable, transparent blue, radiation cross-linked modified polyvinylidene fluoride.
2. SOLDER PREFORM WITH FLUX:
 SOLDER: TYPE Sn96 per ANSI-J-STD-006.
 FLUX: TYPE ROL1 per ANSI-J-STD-004.
3. MELTABLE SEALING RING: Thermally stabilized thermoplastic. Color: blue.
4. MELTABLE SEALING RING: Thermally stabilized thermoplastic. Color: red.

APPLICATION

1. This controlled soldering device is designed for termination of a nickel plated copper shield on a cable having an insulation rated for at least 150°C.
2. Temperature range: -55°C to +175°C. For application tooling, contact your local Raychem technical service.

For best results, prepare the cable as shown:



* A trademark of Raychem Corporation.

| | | | | | | |
|--|---|--|--|---------------------|------------|------------------|
| Raychem | THERMOFIT DEVICES | Raychem Corporation 300 Constitution Drive Menlo Park, CA 94025 USA | TITLE: SOLDERSLEEVE* DEVICE SHIELD TERMINATION HIGH TEMPERATURE | | | |
| UNLESS OTHERWISE SPECIFIED DIMENSIONS ARE IN MILLIMETERS. INCHES DIMENSIONS ARE BETWEEN BRACKETS. | | | DOCUMENT NO.: B-022-06 | | | |
| TOLERANCES: 0.00 N/A 0.0 N/A 0 N/A | ANGLES: N/A ROUGHNESS IN MICRON | Raychem reserves the right to amend this drawing at any time. Users should evaluate the suitability of the product for their application. | DCR NUMBER: D980893 | REPLACES: B02206 | | |
| DRAWN BY: M. FORONDA | DATE: 07/10/98 | PROD. REV. A | DOC ISSUE: 1 | SCALE: None | SIZE: A | SHEET: 1 of 1 |

If this document is printed it becomes uncontrolled. Check for the latest revision.