

REV.	MODIFICATION.	DATE	DRN
01	PRODUCTION RELEASE	19/01/12	SF

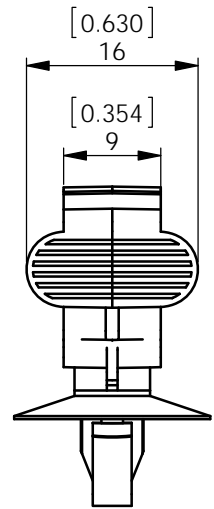


FIG 1

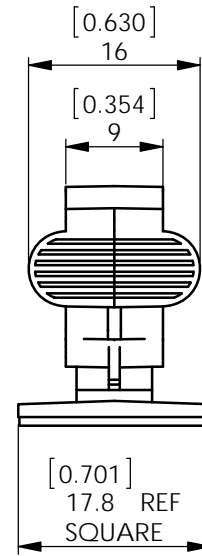
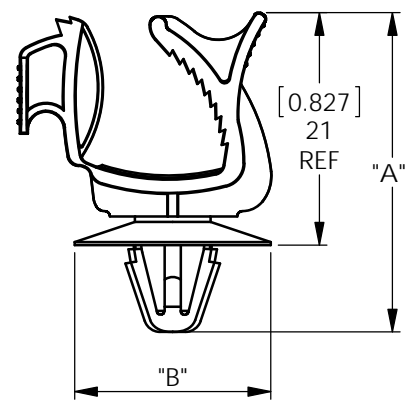
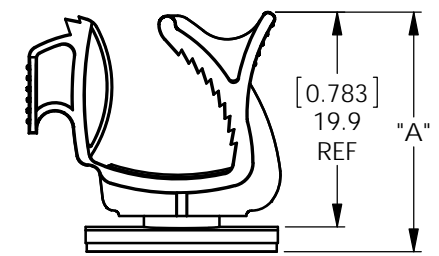


FIG 2



TYPICAL RELEASE TAB POSITION

ALTERNATE UNITS FOR REFERENCE ONLY

INFORMATION CONTAINED IN THIS DOCUMENT IS CONFIDENTIAL TO RICHCO INTERNATIONAL Co. Ltd. AND MAY NOT BE DISCLOSED OR REPRODUCED IN WHOLE OR PART WITHOUT THEIR WRITTEN CONSENT.

PART No	FIG	"A" REF	"B"	MOUNTING HOLE	PANEL THICKNESS	CABLE BUNDLE
WAC1-01	1	26.5 [1.043]	18.4 [0.724]	Ø4-4.8 [.157 - .189]	0.5 - 1.6 [.019 - .063]	Ø3 - 8.5 [.118 - .335]
WAC2-01		29.5 [1.161]		Ø6-6.8 [.236 - .267]	0.5-2.5 [.019 - .098]	
WAC3-01A4-RT	2	22.2 [0.874]	-	-	0.5 - 1.6 [.019 - .063]	
PARTS AVAILABLE IN NYLON 6/6 UL94 V-0(RMS-19) MATERIAL BY SPECIAL ORDER, COLOUR: NATURAL. OTHER COLOURS AVAILABLE BY SPECIAL ORDER.						
ADHESIVE BACKING: RMS-24, DOUBLE SIDED ADHESIVE TAPE WITH RELEASE TAB						

RICHCO, INC. WWW.RICHCO-INC.COM		ALL DIMENSIONS IN mm GENERAL TOLERANCES ±0.25 UNLESS OTHERWISE STATED 1 DECIMAL PLACE ±0.25 2 DECIMAL PLACES ± 0.10 ANGULAR ±1°	THIRD ANGLE
MATERIAL: NYLON 6/6 UL94V-2(RMS-01)		COLOUR: NATURAL	
DESCRIPTION: WEBBED ADJUSTABLE CLIP		PART No: SEE TABLE	
DRG No: 012-004	PROJECT NUMBER: EU12-0020	Mass:(g) 1.7	SHEET SIZE A4
DRN RA	DATE 23/03/12	CHKD NB	DATE 23/03/12
SCALE NTS		SHEET No. 1 OF 1	