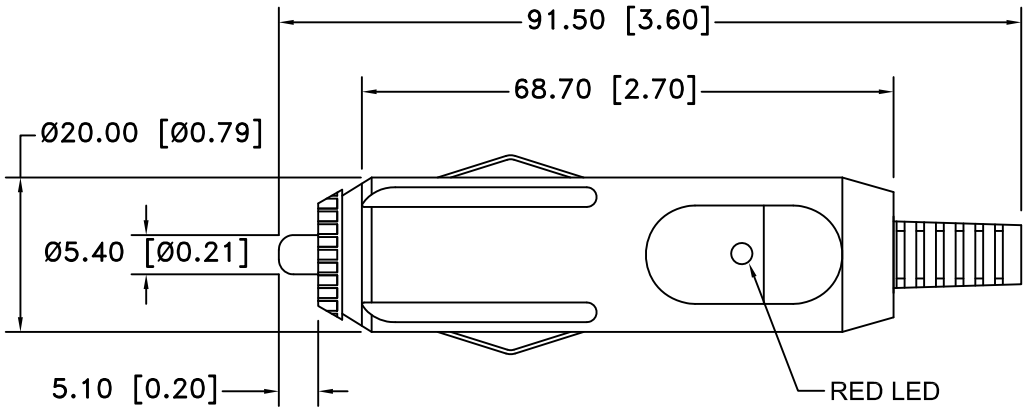



Date	SYM	REVISION RECORD	AUTH	DR.	CK.
12/09/11	A	UPDATED NOTES	T.B.	B.S.	
02/24/12	B	UPDATED NOTES AND TITLE	T.B.	B.S.	



NOTE:  
 CASING: ABS  
 CAP: ABS  
 TERMINALS: STEEL, NICKEL PLATED  
 TIP: BRASS, NICKEL PLATED  
 FUSE: 3AMP., 250V, GLASS  
 LED: RED, T-1, 3mm  
 SPRING: SWG, ZINC PLATED  
 ROHS COMPLIANT  
 CE LISTED

Tolerance (Except as noted)	 <b>Memory Protection Devices, Inc</b> 200 Broad Hollow Road, Farmingdale, New York 11735	Scale	Drawn By B.S.
			Approved By T.B.
decimal $\pm .5$ (.020)	Title AUTO PLUG FOR 21mm AND 22.2mm SOCKETS WITH FUSE AND RED LED		
Fractional $\pm .8$ (.030)	Date 02/24/12	Drawing Number AP-129	