

C0402X6S0G101M020BC

TDK Item Description : C0402X6S0G101MT****

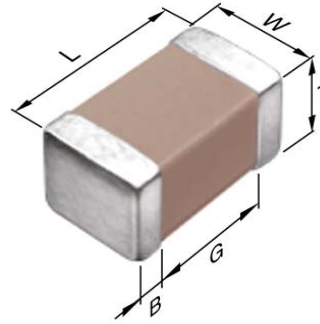


Application & Main Feature

Commercial Grade (General (Up to 50V))

Series

C0402 [EIA CC01005]



Dimensions

L 0.40mm +/-0.02mm
 W 0.20mm +/-0.02mm
 T 0.20mm +/-0.02mm
 B 0.07mm Min.
 G 0.14mm Min.

Temperature Characteristic

X6S (-55 to 105 degC +/-22%)

Rated Voltage

0G (4Vdc)

Capacitance

100pF

Capacitance Tolerance

M (+/-20%)

Dissipation Factor

5% Max.

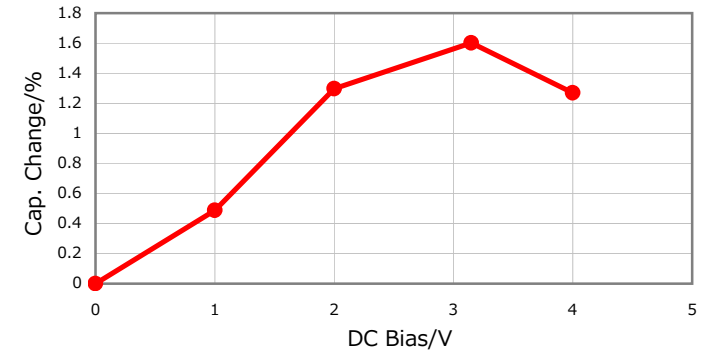
Insulation Resistance

10Gohm Min.

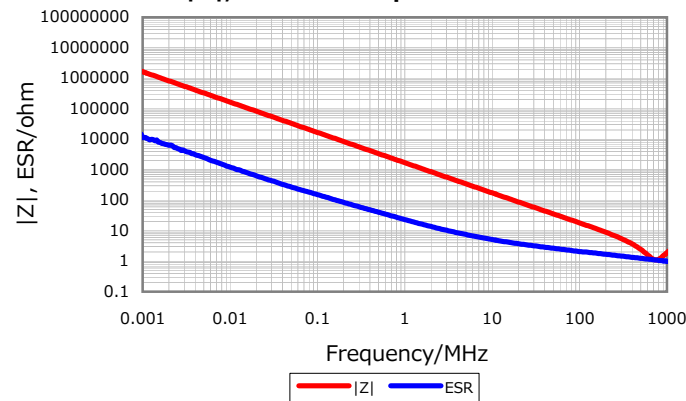
AEC-Q200

Not Applicable

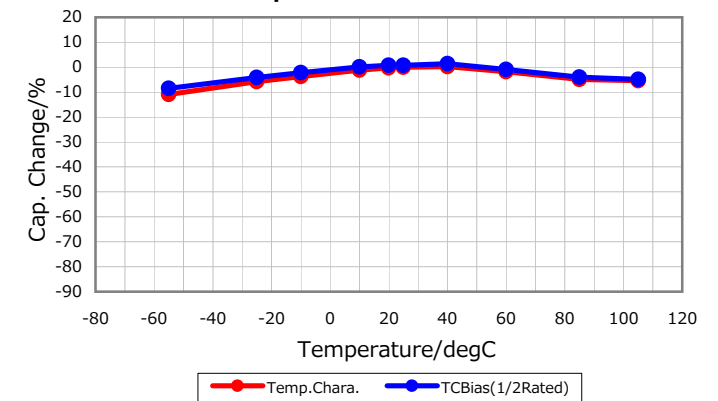
DC Bias Characteristic



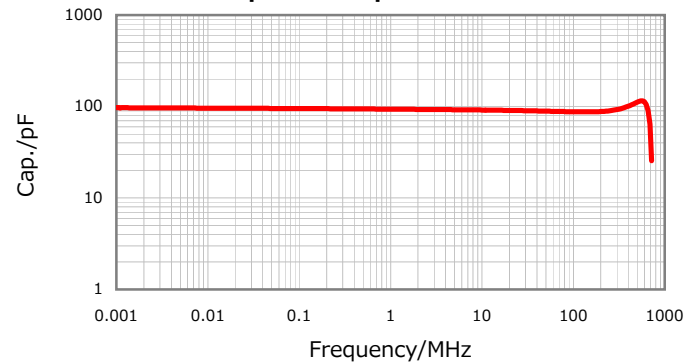
|Z|, ESR vs. Freq. Characteristics



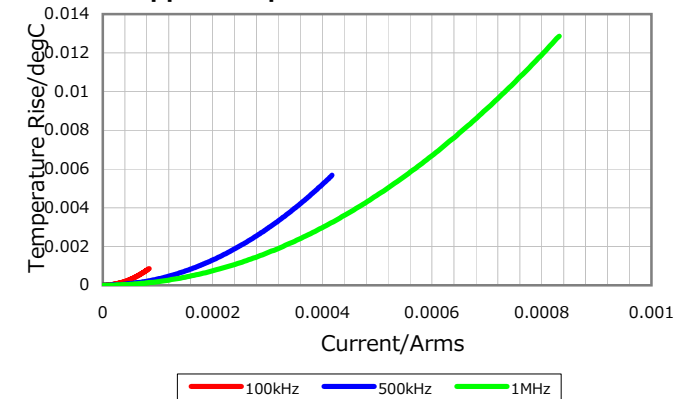
Temperature Characteristics



Cap. vs. Freq. Characteristic



Ripple Temperature Rise Characteristics



Characterization Sheet (Multilayer Ceramic Chip Capacitors)



All specifications are subject to change without notice.

January 2, 2016