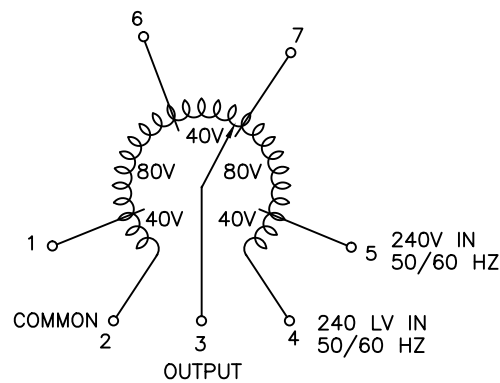
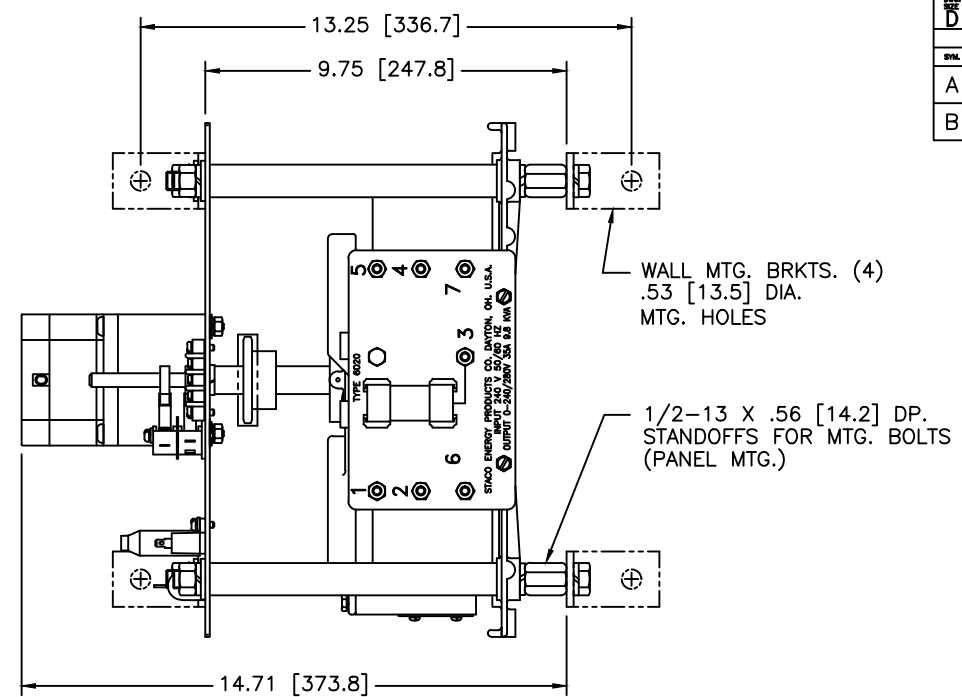
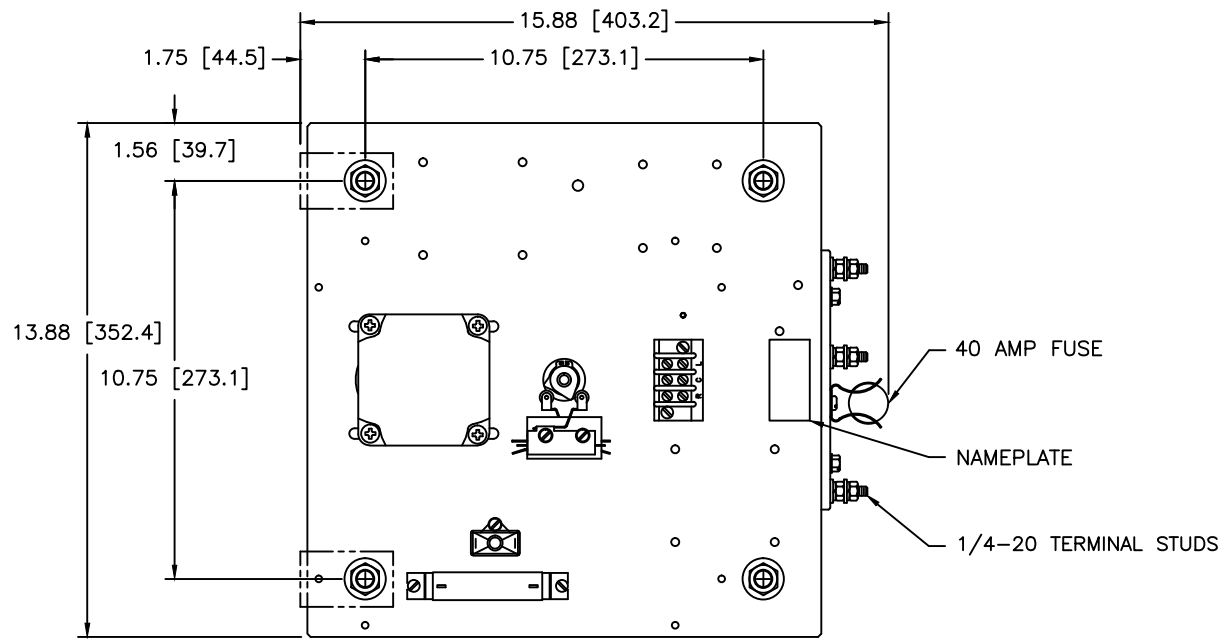
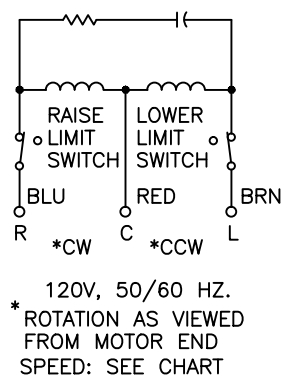


Dwg. No.		032-7585	
REVISIONS			
SYL.	E.C.N.	DATE	APD.
A	23500	9/11/97	
REVISED & REDRAWN			
B	24955	11/20/02	
NEW MOTOR			



SCHMATIC
VIEW FROM BASE END



120V, 50/60 HZ.
* ROTATION AS VIEWED FROM MOTOR END
SPEED: SEE CHART

MOTOR CIRCUIT

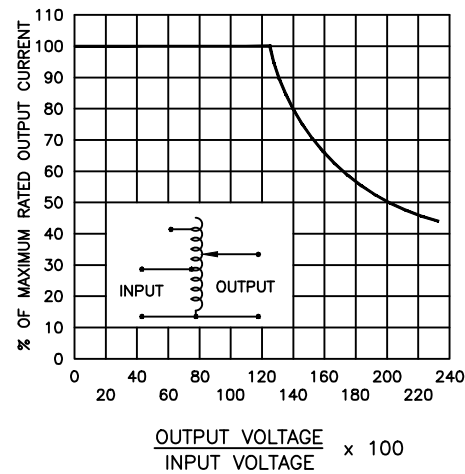


FIGURE A
MAXIMUM OUTPUT CURRENT OF ANY DUAL INPUT VOLTAGE OR VOLTAGE DOUBLER UNIT OPERATED AT LOWER INPUT VOLTAGE.

MAXIMUM OUTPUT CURRENT IN OUTPUT VOLTAGE RANGE FROM 0 TO 25% ABOVE LINE VOLTAGE. AT HIGHER OUTPUT VOLTAGES, OUTPUT CURRENT MUST BE REDUCED ACCORDING TO RATING CURVE, FIGURE A.

‡ MAXIMUM KVA AT MAXIMUM OUTPUT AND CORRESPONDING DE-RATED CURRENT. MAXIMUM KVA AT LOWER OUTPUT VOLTAGES MAY BE CALCULATED FROM RATING CURVE, FIGURE A.

SPEED (SECONDS)	MODEL NUMBER
15	15M6020
30	30M6020
60	60M6020

SPECIFICATIONS								
WIRING	INPUT		OUTPUT			SHAFT ROTATION FOR INCREASE VOLTAGE	TERMINAL CONNECTIONS	
	VOLTS	HERTZ	VOLTS	MAX. AMPS	MAX. KVA		FOR INCREASING VOLTAGE AS VIEWED FROM ROTOR END	
SINGLE PHASE	240	50/60	0-240	35	8.4	CW	2-4	2-3
			0-280	35	9.8	CCW	4-2	4-3
	120	50/60	0-280	35-15# V.D.	4.2 ‡	CW	2-5	2-3
						CCW	4-1	4-3
						CW	2-6	2-3
						CCW	4-7	4-3

UNLESS OTHERWISE SPECIFIED, TOLERANCE IS ±	DECIMALS	HOLES	ANGLES	DIMETS	LINIS	TITLE	
±.0005	±.0012	±.005	1°	1:1-1/2"	1:1-1/2"	SPEC. CONTROL DRAWING MOTORIZED VARIABLE XFMR. TYPE: M6020	
MATERIAL:						DRAWN BY	
ALL DIMENSIONS APPLY UNLESS PLATING						TIM RAU	
The information and design disclosed herein was originated by and is the property of STACO ENERGY PRODUCTS CO., which reserves all patent, proprietary, design, manufacturing, reproduction, use and sale rights therein, and to any articles disclosed therein, except to the extent rights are expressly granted to others. The foregoing does not apply to vendor proprietary parts.						DATE	
						9/11/97	
						FIRST USED ON	
						DO NOT SCALE DWG.	
						CHECKER	
						DATE	
						REVIEW APPROVAL	
						SCALE	
						.5=1	
						SHEET 1 OF 1	
						Dwg. No.	
						032-7585	