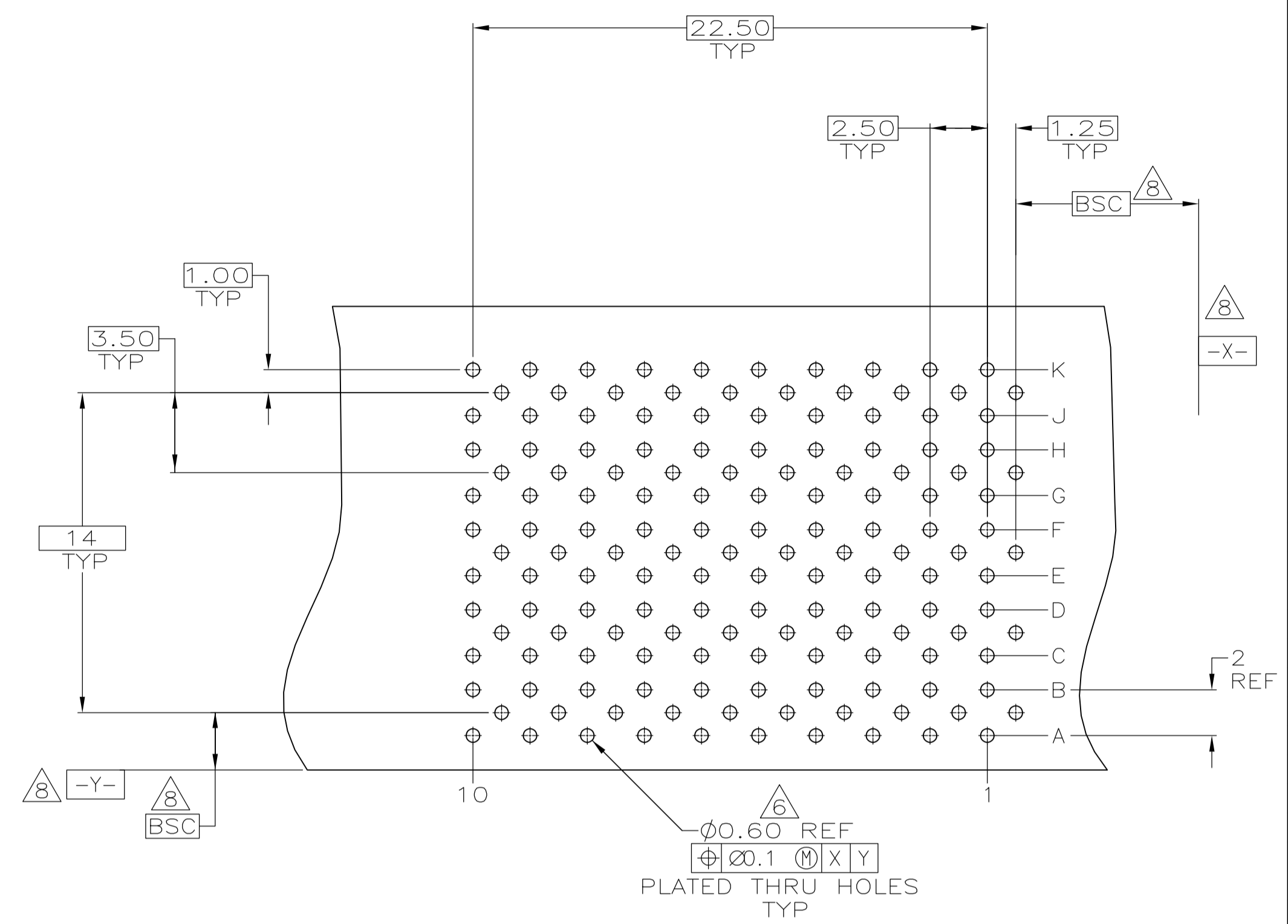
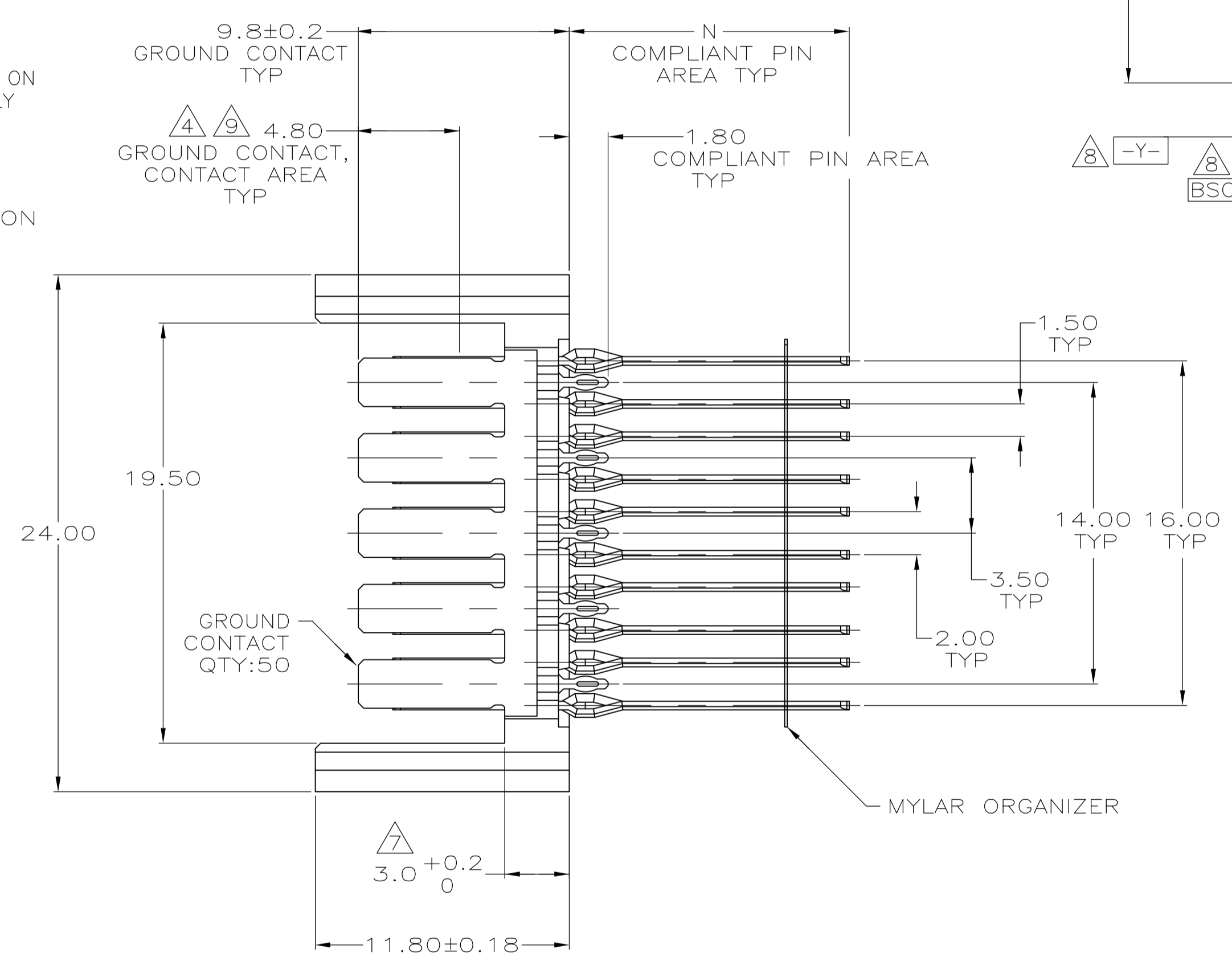
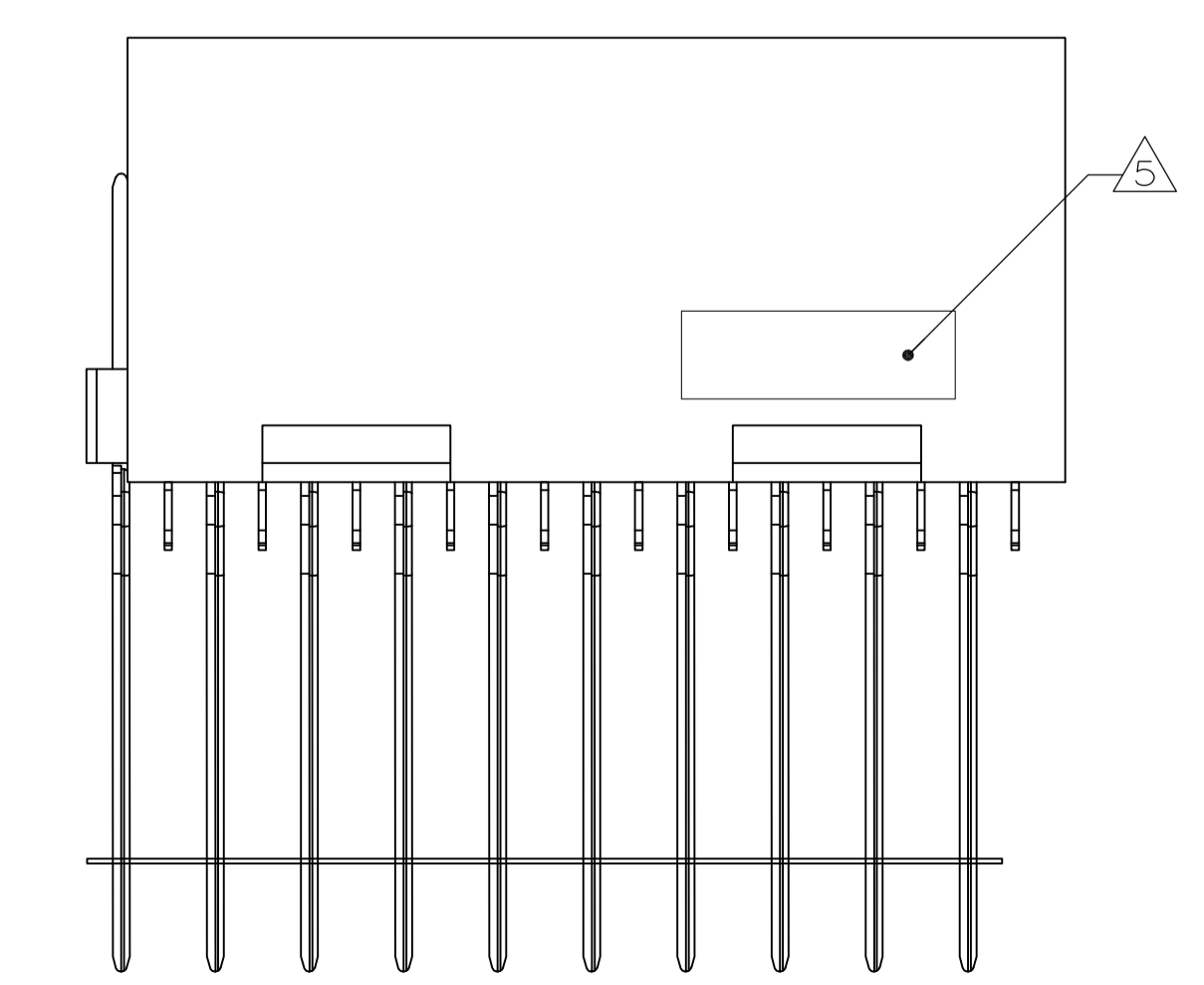
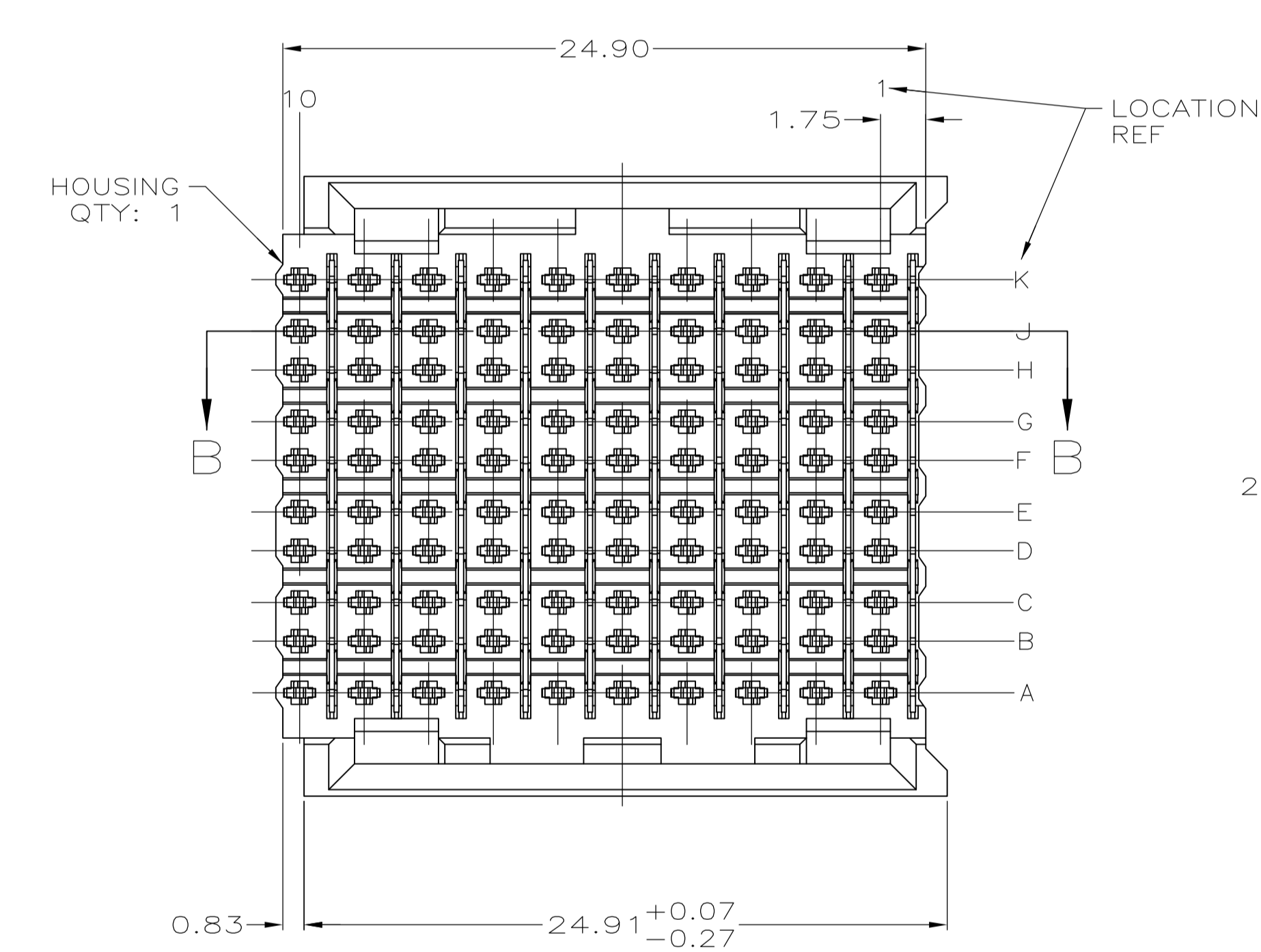
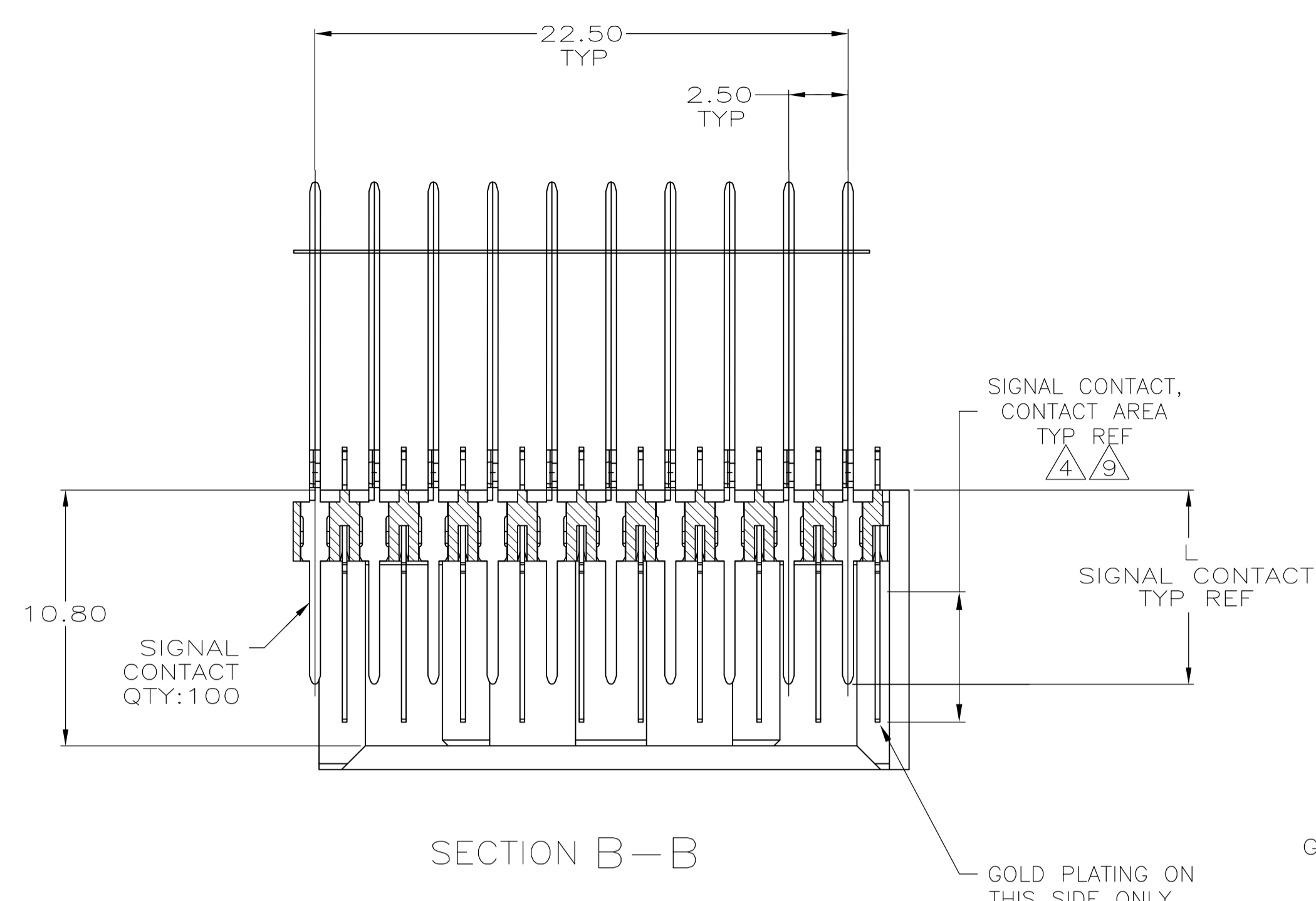


LOC		DIST		REVISIONS			
P	LTR	DESCRIPTION	DATE	DWN	APVD		
A		REVISED PER ECO-12-017504	15OCT12	KH	JE		

- 2 PHOSPHOR BRONZE
- 3 GLASS FILLED POLYESTER
- 4 FINISH:
CONTACT MATING AREA MEETS THE PERFORMANCE REQUIREMENTS OF TE CONNECTIVITY PRODUCT SPECIFICATION 108-1957; BASED ON TELCORDIA GR-1217-CORE, APPLICATIONS IN UNCONTROLLED ENVIRNMENTS.
COMPLIANT PIN AREA: 0.5M MIN MATTE TIN OVER BASE PLATING
- 5 CONNECTOR MARKED WITH PART NUMBER AND DATE CODE
- 6 REFERENCE APPLICATION SPEC 114-13020 FOR RECOMMENDED PLATED THRU HOLE DIAMETER AND PLATING THICKNESS.
- 7 APPLICATION SEATING HEIGHT TO PRINTED CIRCUIT BOARD
- 8 DATUMS AND BASIC DIMENSIONS ESTABLISHED BY CUSTOMER
- 9 CONTACT AREA LUBRICATED WITH BELLCORE APPROVED LUBRICANT
TECHNICAL REFERENCE: GR-1217-CORE, ISSUE 1, NOVEMBER 1995
- 10 HOLE DIAMETER SHOULD BE 3.10 WHEN USING FEED THROUGH GUIDE PIN P/N 120759 CLEARANCE FOR M3x0.5 THREAD.



RECOMMENDED PRINTED CIRCUIT BOARD LAYOUT
COMPONENT SIDE OF PRINTED CIRCUIT BOARD

13.00	5.50	8.2	5120881-1
N	M	L	PART NUMBER

THIS DRAWING IS A CONTROLLED DOCUMENT.

DIMENSIONS: mm	TOLERANCES UNLESS OTHERWISE SPECIFIED:	DIN B. CARDO 09DEC04	09DEC04	TE Connectivity
0. PLC ± -	1. PLC ± -	CHK R. PATTERSON 09DEC04	09DEC04	
2. PLC ± 0.13	3. PLC ± 0.05	APP'D R. PATTERSON 09DEC04	09DEC04	NAME
4. PLC ANGLES ± -				PRODUCT SPEC
MATERIAL HOUSING: 3	FINISH SIGNAL CONTACT: 4	APPLICATION SPEC	SIZE	CAGE CODE
		WEIGHT	A1	00779
		CUSTOMER DRAWING	SCALE	5:1
			SHEET	1 of 1
			REV	A

HEADER ASSEMBLY, 100 POSN, 10 ROW, BACKPLANE CONNECTOR, WITH ORGANIZER, Z-PACK HS3

5120881