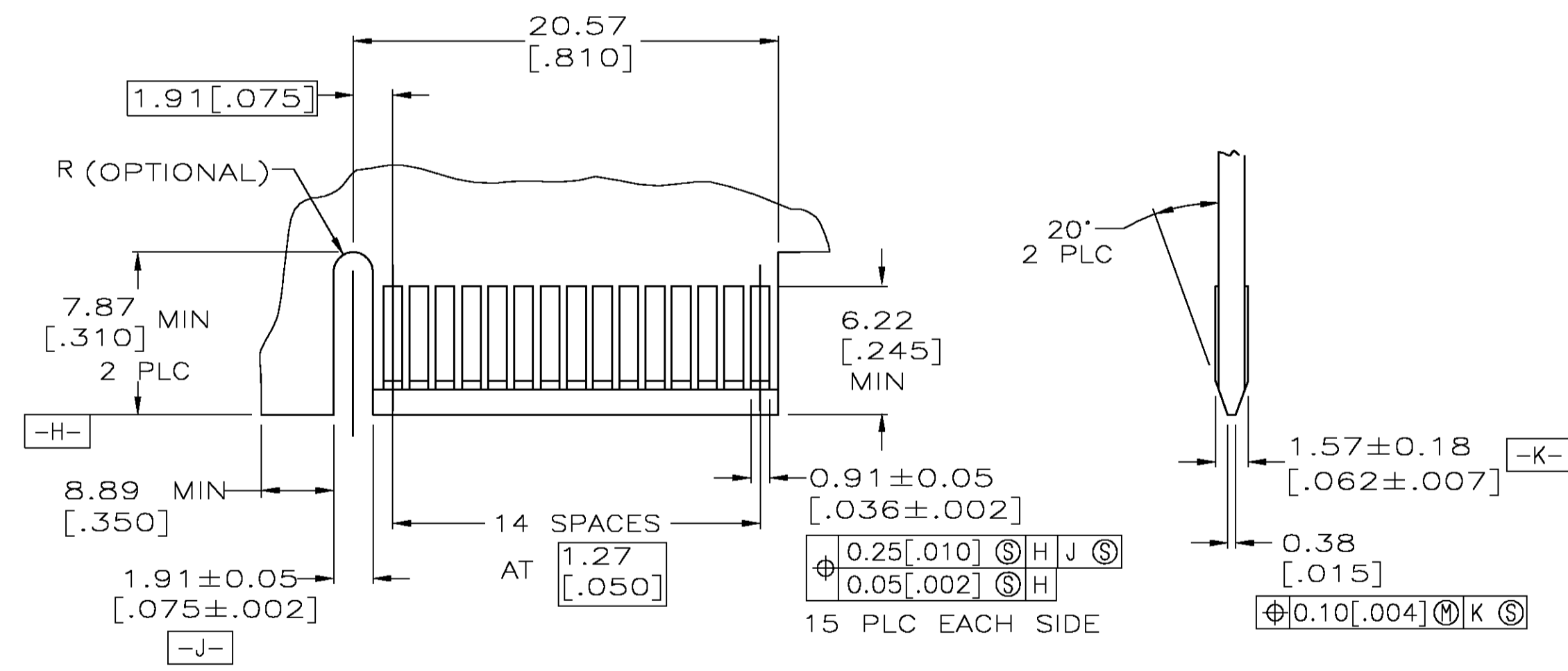
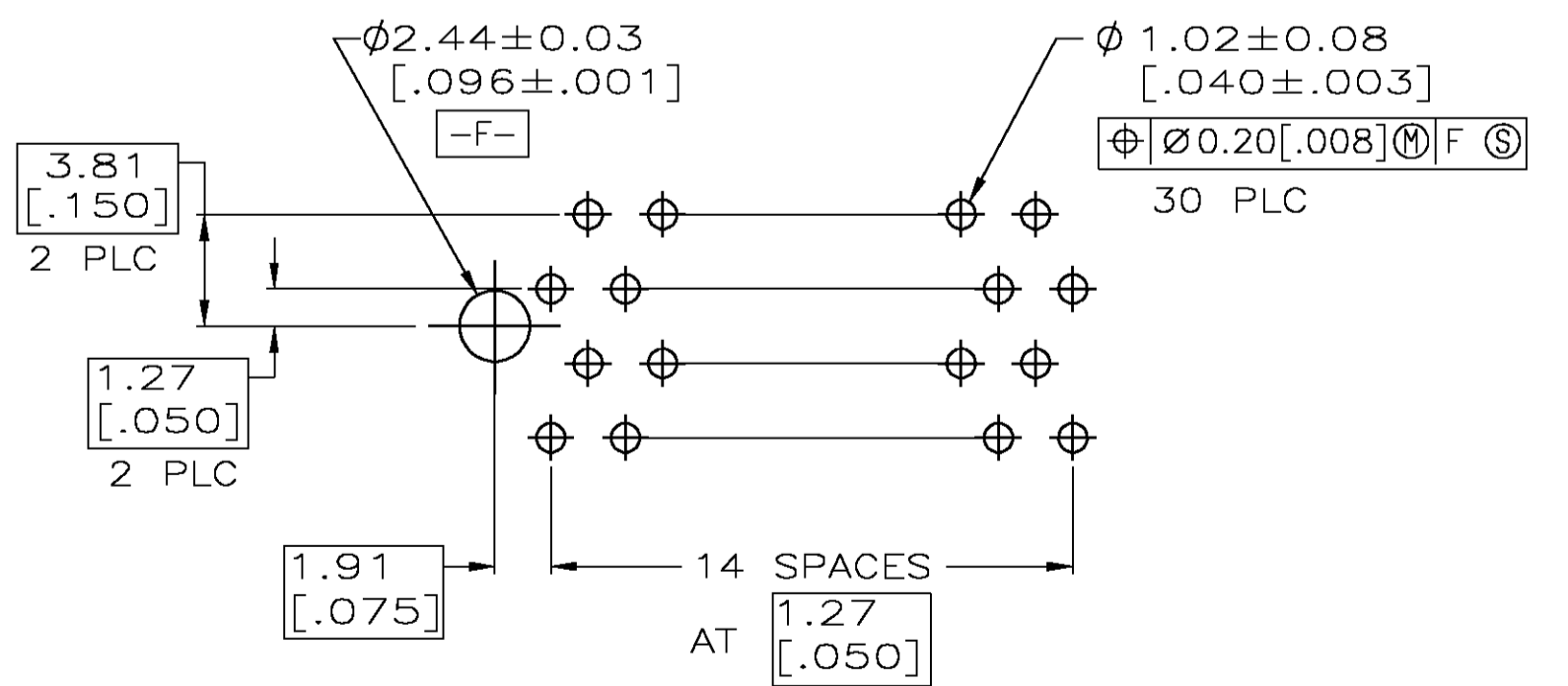


- 1 HOUSING: HIGH TEMPERATURE THERMOPLASTIC. COLOR: BROWN.
- 2 CONTACT: PHOSPHOR BRONZE.
- 3 CONTACT FINISH: .000100 MIN NICKEL ALL OVER. .000030 MIN GOLD OVER NICKEL IN CONTACT AREA. .000100 MIN TIN-LEAD OVER NICKEL ON SOLDER TAILS.
- 4 DISTANCE FROM CONTACT POINT TO BOTTOM OF CARD SLOT.
- 5 AMP PART NUMBER, DATE CODE AND CSA LOGO MARKED IN APPROXIMATE AREA SHOWN.

SECTION L-L
SCALE 8:1



RECOMMENDED MATING BOARD EDGE CONFIGURATION



RECOMMENDED CONNECTOR MOUNTING HOLE PATTERN
(CONNECTOR SIDE SHOWN)

OBSOLETE	-125	650712-3
OBSOLETE	-14	650712-2
	.10	650712-1
	W	PART NUMBER

THIS DRAWING IS A CONTROLLED DOCUMENT.		DWG K.L.CLOUSER/UTA 3/21/91	Tyco Electronics Corporation Harrisburg, Pa 17105-3608	
DIMENSIONS: mm		CHK M.BOWERS	NAME CONTRACTOR ASSEMBLY, END KEYED, 15 DUAL POSITION, .050 SERIES, STANDARD EDGE	
TOLERANCES UNLESS OTHERWISE SPECIFIED:		APVD	PRODUCT SPEC 108-14034	
0 PLC ± -		APPLICATION SPEC 114-26012		
1 PLC ± -		SIZE A1		
2 PLC ± .01		DATE CODE 00779		
3 PLC ± .005		DRAWING NO 650712		
4 PLC ± -		RESTRICTED TO		
ANGLES ± ± Z		CUSTOMER DRAWING		
MATERIAL		SCALE 4:1 SHEET 1 OF 1 REV K		
FINISH				