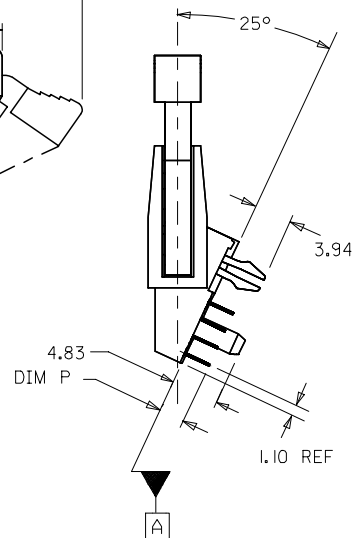
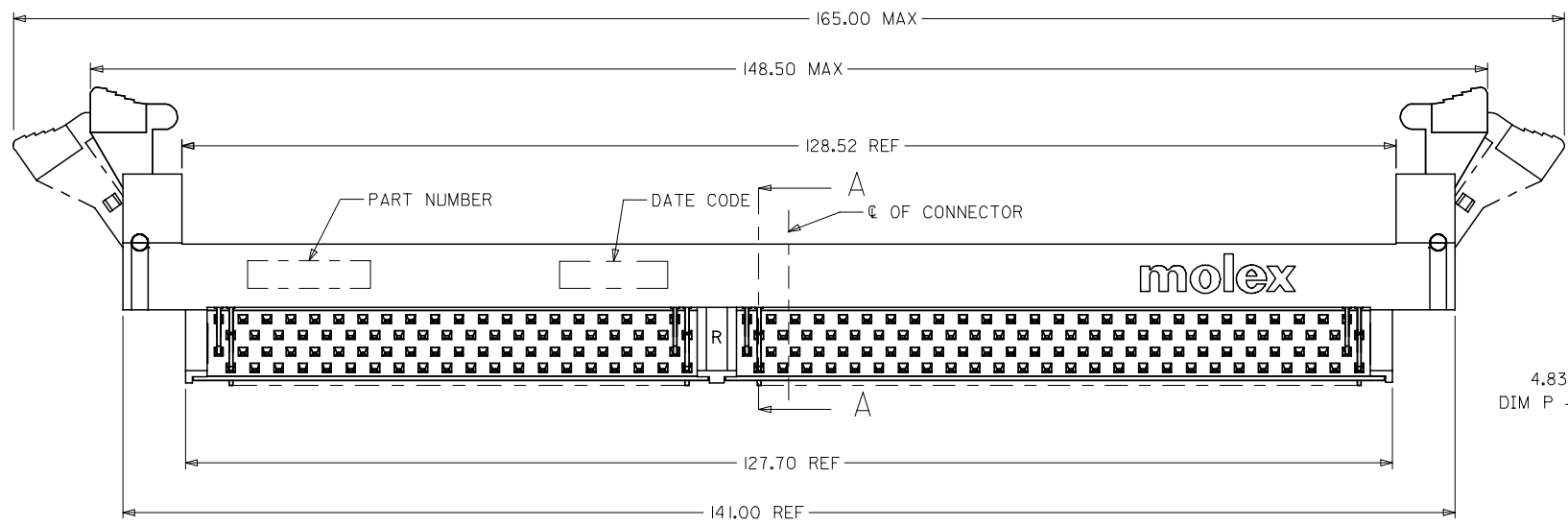
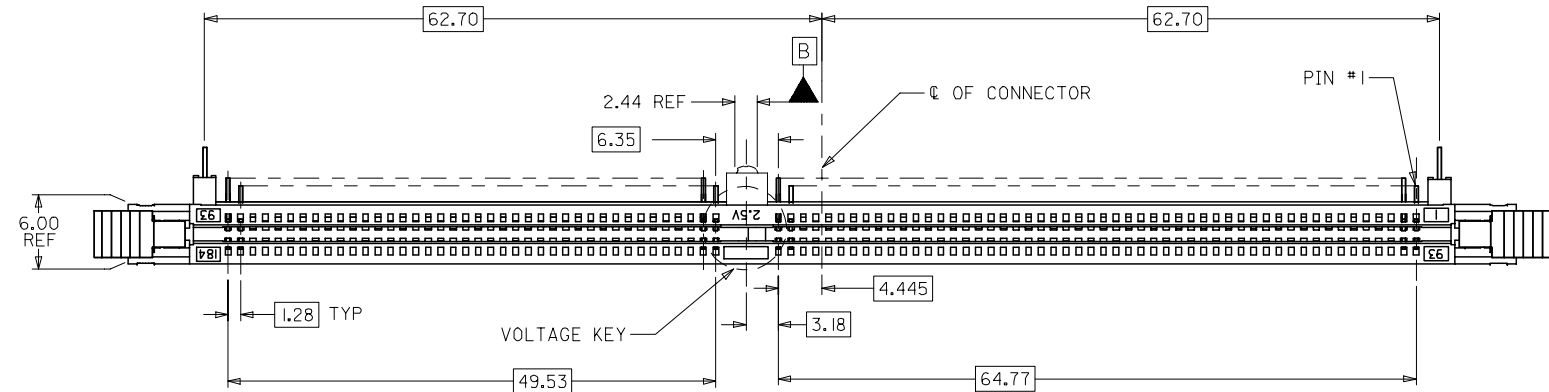


10 9 8 7 6 5 4 3 2 1



- NOTES:
- MATERIALS: HOUSING - LCP, GLASS FILLED, UL 94V-0, COLOR: BLACK
LATCHES - HIGH TEMP NYLON, GLASS FILLED, UL 94V-0
TERMINAL AND FORKLOCK - COPPER ALLOY
 - FINISHES: CONTACT AREA: SEE TABLE ON SHEET 5
SOLDDERTAILS: 2.54um/100u" MIN. TIN
OVER 1.27um/50u" MIN NICKEL
 - PRODUCT SPECIFICATIONS: PS-87639-002 FOR PERFORMANCE SPECIFICATIONS.
 - DATE CODE SHALL BE MARKED LEGIBLY AS SHOWN: XX XX
YEAR WEEK
 - PART NUMBER SHALL BE MARKED LEGIBLY AS SHOWN: 87639-0XXX
REFER TO TABLE

| | | |
|-------------------|-------------|------------|
| OBS TIN/LEAD P/N | 2006/02/27 | 2006/02/28 |
| EC NO: S2006-0746 | 2006/02/27 | 2006/02/28 |
| DRWN:HLONG | 2006/02/28 | 2006/02/28 |
| CHKD:HO | | |
| APPR:GJLEE | | |
| REV | DESCRIPTION | |

| | |
|-----------------|---------------------------------------|
| QUALITY SYMBOLS | GENERAL TOLERANCES (UNLESS SPECIFIED) |
| ▽=0 | |
| ▽=0 | |

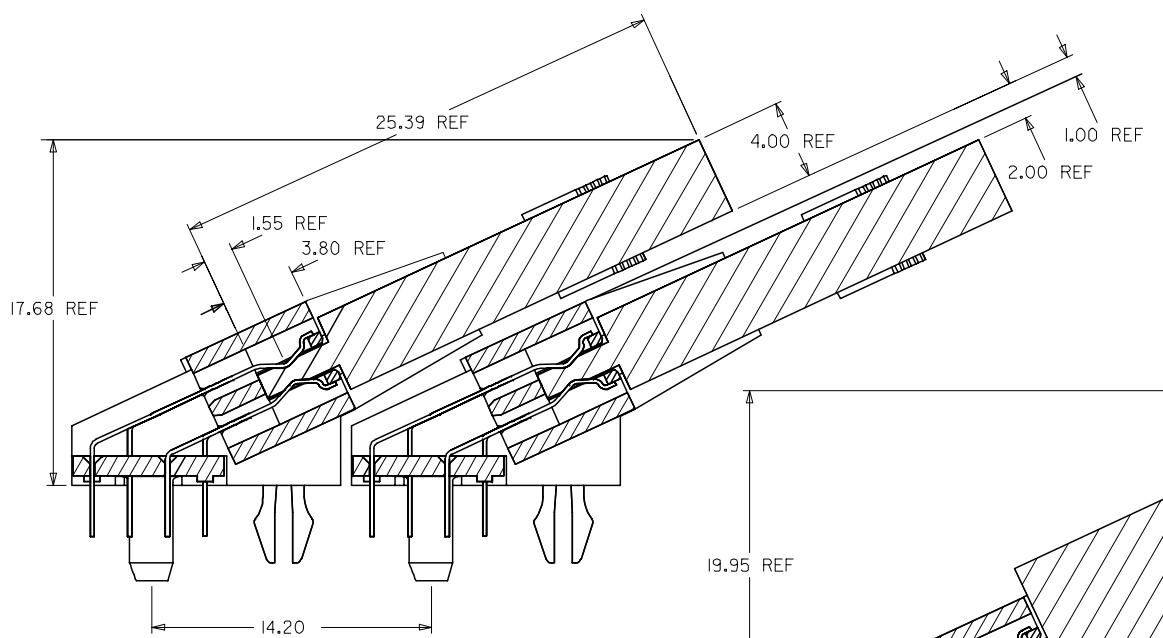
| | | |
|--|--------|-------|
| 4 PLACES | ± --- | ± --- |
| 3 PLACES | ± --- | ± --- |
| 2 PLACES | ± 0.25 | ± --- |
| 1 PLACE | ± --- | ± --- |
| ANGULAR ± 5 ° | | |
| DRAFT WHERE APPLICABLE MUST REMAIN WITHIN DIMENSIONS | | |

| | | | | |
|-----------------|---|--------------------------|--------------|------------------------|
| DIMENSION STYLE | | SCALE | DESIGN UNITS | THIRD ANGLE PROJECTION |
| MM ONLY | | NTS | METRIC | |
| DRAWN BY | DATE | TITLE | | |
| LPLIM | 2000/05/31 | DDR DIMM, 1.27MM PITCH | | |
| CHECKED BY | DATE | 184 CKTS, 25 DEG REVERSE | | |
| DSOH | 2000/07/07 | 1.91MM ROW TO ROW | | |
| APPROVED BY | DATE | MOLEX INCORPORATED | | |
| SKTOH | 2000/07/07 | | | |
| MATERIAL NO. | DOCUMENT NO. | SHEET NO. | | |
| SEE TABLE | SD-87639-001 | 1 OF 5 | | |
| SIZE | THIS DRAWING CONTAINS INFORMATION THAT IS PROPRIETARY TO MOLEX INCORPORATED AND SHOULD NOT BE USED WITHOUT WRITTEN PERMISSION | | | |
| A3 | | | | |

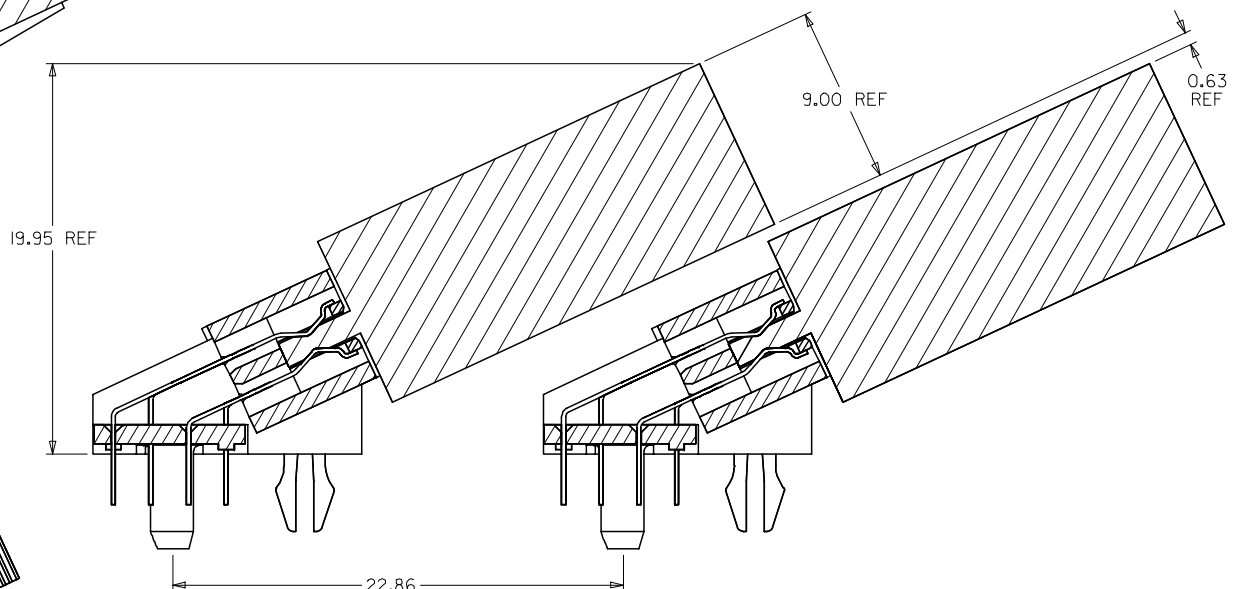
9 8 7 6 5 4 3 2 1

10 9 8 7 6 5 4 3 2 1

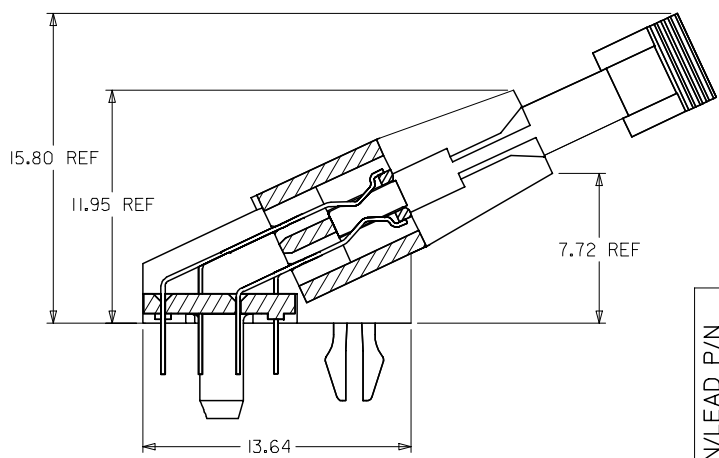
F
E
D
C
B
A



MINIMUM RECOMMENDED ROW TO ROW SPACING
WHEN USING A 4.00 mm THICK
MODULE (TYPICAL TSOP PACKAGING)



MINIMUM RECOMMENDED ROW TO ROW SPACING
WHEN USING A 9.00 mm THICK
MODULE (TYPICAL SOJ PACKAGING)



SECTION A-A

OBS TIN/LEAD P/N
EC NO: S2006-0746
DRWN:MLONG
CHKD:IHO
APPR:GGLLEE

| REV | DESCRIPTION |
|-----|-------------|
| | |

| | |
|--|-------------------|
| QUALITY SYMBOLS | $\nabla=0$ |
| | $\sphericalcap=0$ |
| GENERAL TOLERANCES (UNLESS SPECIFIED) | |
| | mm |
| | INCH |
| 4 PLACES | \pm --- |
| 3 PLACES | \pm --- |
| 2 PLACES | ± 0.25 |
| 1 PLACE | \pm --- |
| ANGULAR $\pm 5^\circ$ | |
| DRAFT WHERE APPLICABLE MUST REMAIN WITHIN DIMENSIONS | |

| | |
|----------------------------|------------|
| DIMENSION STYLE MM ONLY | |
| DRAWN BY | DATE |
| LPL IM | 2000/05/31 |
| CHECKED BY | DATE |
| DSOH | 2000/07/07 |
| APPROVED BY | DATE |
| SKTOH | 2000/07/07 |
| MATERIAL NO. | |
| SEE TABLE | |
| SIZE | A3 |

| | | |
|---|--------------|------------------------|
| SCALE | DESIGN UNITS | THIRD ANGLE PROJECTION |
| NTS | METRIC | |
| TITLE | | |
| DDR DIMM, 1.27MM PITCH | | |
| 184 CKTS, 25 DEG REVERSE | | |
| 1.91MM ROW TO ROW | | |
| MOLEX INCORPORATED | | |
| DOCUMENT NO. | SHEET NO. | |
| SD-87639-001 | 2 OF 5 | |
| THIS DRAWING CONTAINS INFORMATION THAT IS PROPRIETARY TO MOLEX INCORPORATED AND SHOULD NOT BE USED WITHOUT WRITTEN PERMISSION | | |

9 8 7 6 5 4 3 2 1

10 9 8 7 6 5 4 3 2 1

F

E

D

C

B

A

F

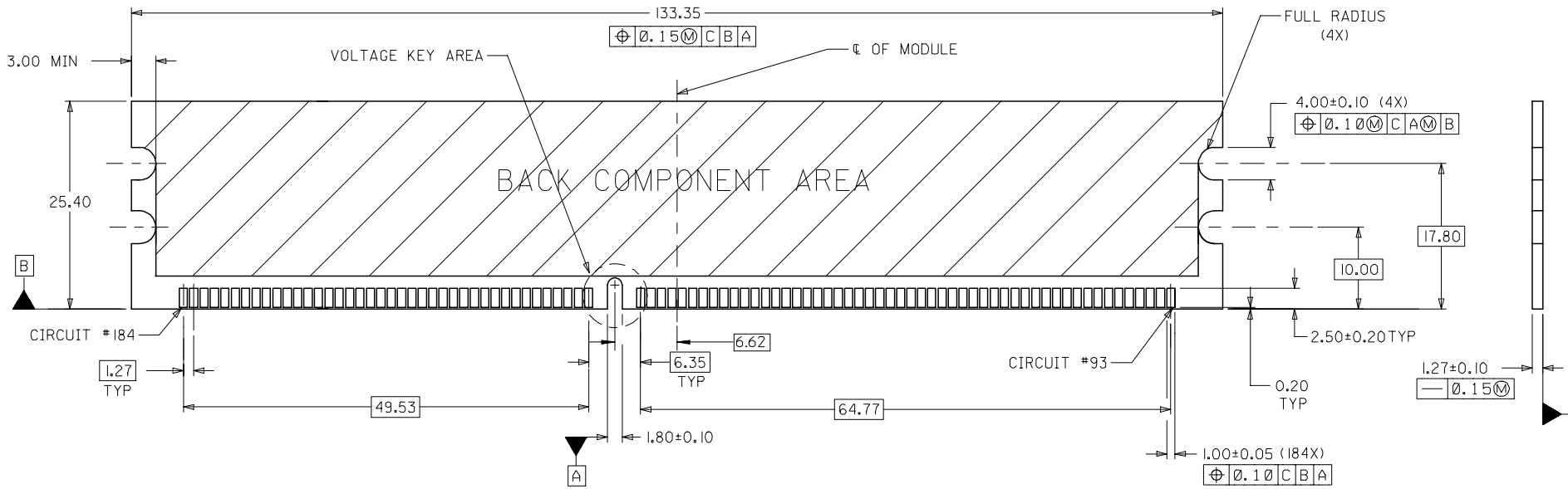
E

D

C

B

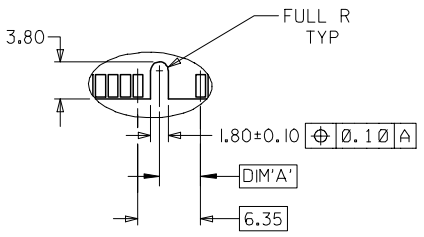
A



RECOMMENDED MODULE LAYOUT
 (PER JEDEC STANDARD MO-206, 184 CKT.)
 UNLESS OTHERWISE SPECIFIED, GENERAL TOLERANCE FOR MODULE = ±0.13

VOLTAGE KEY AREA

| | |
|-------------|---------|
| VOLTAGE KEY | DIM 'A' |
| 2.5V | 4.175 |



| | |
|--------|--------------|
| OBS | TIN/LEAD P/N |
| EC NO: | S2006-0746 |
| DRWN: | MLONG |
| CHKD: | IHO |
| APPR: | GGLEE |
| REV | DESCRIPTION |

| | |
|-----------------|-----|
| QUALITY SYMBOLS | ▽=0 |
| | ∇=0 |

| | | |
|--|--------|-------|
| GENERAL TOLERANCES (UNLESS SPECIFIED) | mm | INCH |
| 4 PLACES | ± --- | ± --- |
| 3 PLACES | ± --- | ± --- |
| 2 PLACES | ± 0.25 | ± --- |
| 1 PLACE | ± --- | ± --- |
| ANGULAR ± 5 ° | | |
| DRAFT WHERE APPLICABLE MUST REMAIN WITHIN DIMENSIONS | | |

| | |
|-----------------|------------|
| DIMENSION STYLE | MM ONLY |
| DRAWN BY | LPL IM |
| DATE | 2000/05/31 |
| CHECKED BY | DSOH |
| DATE | 2000/07/07 |
| APPROVED BY | SKTOH |
| DATE | 2000/07/07 |
| MATERIAL NO. | SEE TABLE |
| SIZE | A3 |

| | | | | |
|---|--------------|--------------|--------|------------------------|
| SCALE | NTS | DESIGN UNITS | METRIC | THIRD ANGLE PROJECTION |
| TITLE | | | | |
| DDR DIMM, 1.27MM PITCH | | | | |
| 184 CKTS, 25 DEG REVERSE | | | | |
| 1.91MM ROW TO ROW | | | | |
| MOLEX INCORPORATED | | | | |
| DOCUMENT NO. | SD-87639-001 | SHEET NO. | 3 OF 5 | |
| THIS DRAWING CONTAINS INFORMATION THAT IS PROPRIETARY TO MOLEX INCORPORATED AND SHOULD NOT BE USED WITHOUT WRITTEN PERMISSION | | | | |

9 8 7 6 5 4 3 2 1

10 9 8 7 6 5 4 3 2 1

F F

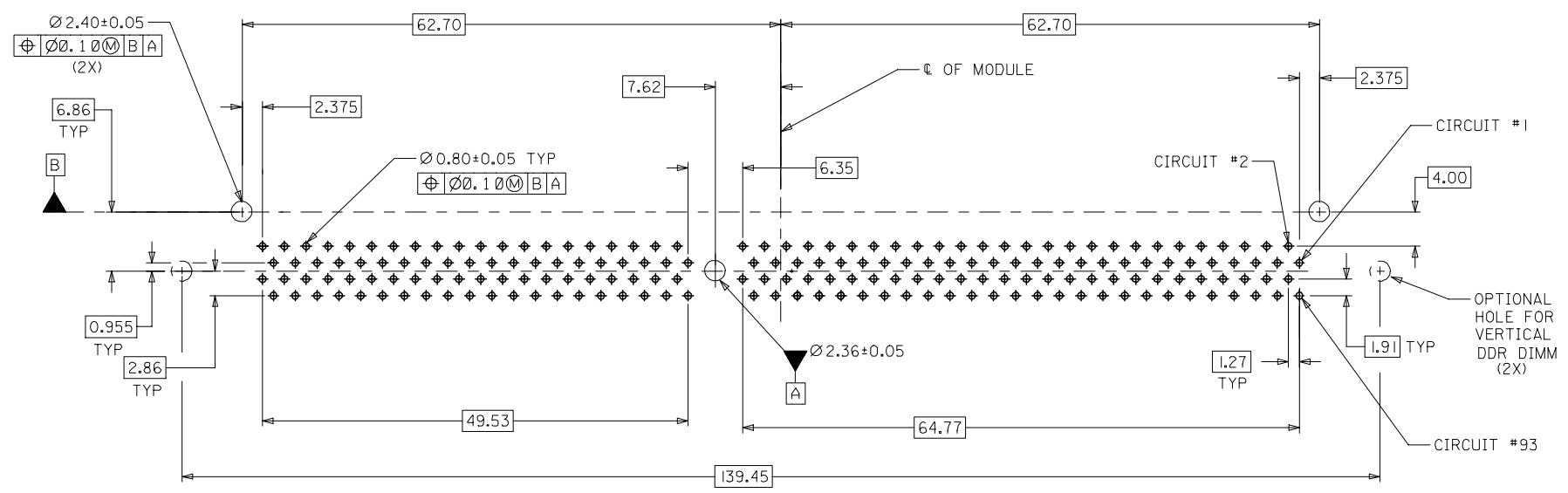
E E

D D

C C

B B

A A



RECOMMENDED P.C. BOARD
HOLE PATTERN (CONNECTOR SIDE)

| | | | | | | | | | | | | |
|--|--|-------------------------------|---|------------------------------|----------------------------|----------------------|---|--|------------------------|--|--|--|
| OBS TIN/LEAD P/N EC NO: S2006-0746 DRWN:MLONG CHKD:HO APPR:GJLEE | 2006/02/27 2006/02/28 2006/02/28 | QUALITY SYMBOLS ▽=0 ◻=0 | GENERAL TOLERANCES (UNLESS SPECIFIED) | | DIMENSION STYLE MM ONLY | | SCALE NTS | DESIGN UNITS METRIC | THIRD ANGLE PROJECTION | | | |
| | | | | mm | INCH | DRAWN BY LPLIM | DATE 2000/05/31 | TITLE DDR DIMM, 1.27MM PITCH 184 CKTS, 25 DEG REVERSE 1.91MM ROW TO ROW | | | | |
| | | | 4 PLACES | ± --- | ± --- | CHECKED BY DSOH | DATE 2000/07/07 | | | | | |
| | | | 3 PLACES | ± --- | ± --- | APPROVED BY SKTOH | DATE 2000/07/07 | MOLEX INCORPORATED | | | | |
| 2 PLACES | ± 0.25 | ± --- | MATERIAL NO. | DOCUMENT NO. SD-87639-001 | SHEET NO. 4 OF 5 | | | | | | | |
| 1 PLACE | ± --- | ± --- | DRAFT WHERE APPLICABLE MUST REMAIN WITHIN DIMENSIONS | | SEE TABLE | | | | | | | |
| | | | ANGULAR ± 5 ° | | SIZE A3 | | THIS DRAWING CONTAINS INFORMATION THAT IS PROPRIETARY TO MOLEX INCORPORATED AND SHOULD NOT BE USED WITHOUT WRITTEN PERMISSION | | | | | |

9 8 7 6 5 4 3 2 1

10 9 8 7 6 5 4 3 2 1

| MATERIAL NO. | VOLTAGE KEY | TAIL LENGTH P±0.25 | RECOMMENDED PCB THICKNESS | FINISHES: CONTACT AREA |
|--------------|--------------|-----------------------|------------------------------|--|
| 87639-1001 | RIGHT (2.5V) | 2.79 | 1.57 | SELECTIVE GOLD 0.38µM/15µ" MIN. GOLD OVER 1.27µM/50µ" MIN. NICKEL |
| 87639-1010 | | 3.18 | | |
| 87639-1011 | | 3.56 | | |
| 87639-1100 | | 2.79 | | SELECTIVE GOLD 0.76µM/30µ" MIN. GOLD OVER 1.27µM/50µ" MIN. NICKEL |
| 87639-1110 | | 3.18 | | |

F

F

E

E

D

D

C

C

B

B

A

A

| | | | | | | | | | |
|--|--|--------------------|---|--|--|---|-------|--------------|---------------------------|
| OBS TIN/LEAD P/N EC NO: S2006-0746 DRWN:MLONG CHKD:HO APPR:GJLEE | 2006/02/27 2006/02/28 2006/02/28 | DESCRIPTION REV | QUALITY SYMBOLS | GENERAL TOLERANCES (UNLESS SPECIFIED) | DIMENSION STYLE | | SCALE | DESIGN UNITS | THIRD ANGLE PROJECTION |
| | | | $\nabla=0$ $\triangle=0$ | | mm INCH | MM ONLY | NTS | METRIC | |
| | | | 4 PLACES ± --- ± --- | | DRAWN BY DATE LPL IM 2000/05/31 | TITLE | | | |
| | | | 3 PLACES ± --- ± --- | | CHECKED BY DATE DSOH 2000/07/07 | DDR DIMM, 1.27MM PITCH 184 CKTS, 25 DEG REVERSE 1.91MM ROW TO ROW | | | |
| | | | 2 PLACES ± 0.25 ± --- | | APPROVED BY DATE SKTOH 2000/07/07 | MOLEX INCORPORATED | | | |
| 1 PLACE ± --- ± --- | ANGULAR ± 5 ° | MATERIAL NO. | DOCUMENT NO. | SHEET NO. | | | | | |
| DRAFT WHERE APPLICABLE MUST REMAIN WITHIN DIMENSIONS | | SEE TABLE | SD-87639-001 | 5 OF 5 | | | | | |
| | | SIZE | THIS DRAWING CONTAINS INFORMATION THAT IS PROPRIETARY TO MOLEX INCORPORATED AND SHOULD NOT BE USED WITHOUT WRITTEN PERMISSION | | | | | | |
| | | A3 | | | | | | | |

9 8 7 6 5 4 3 2 1