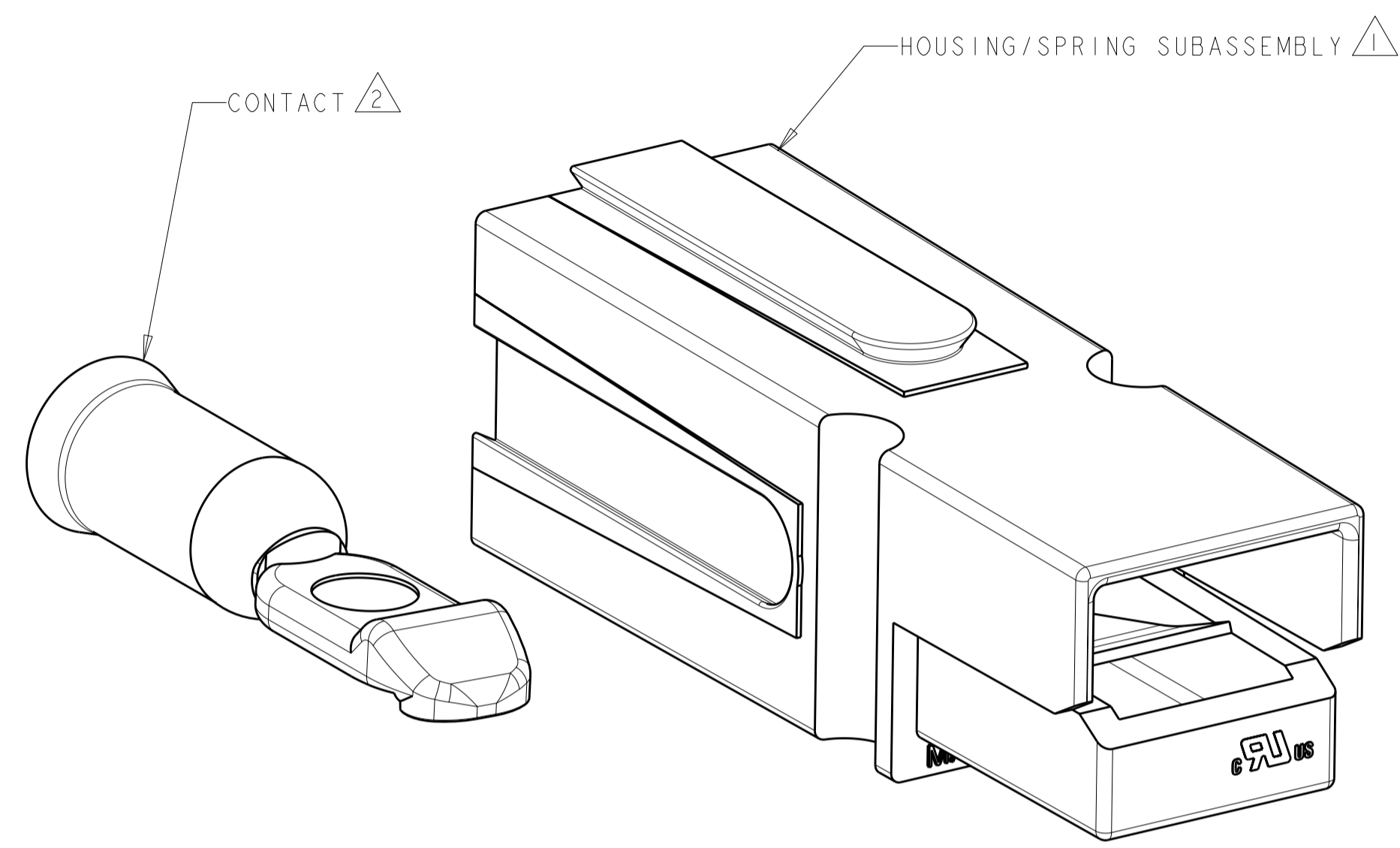
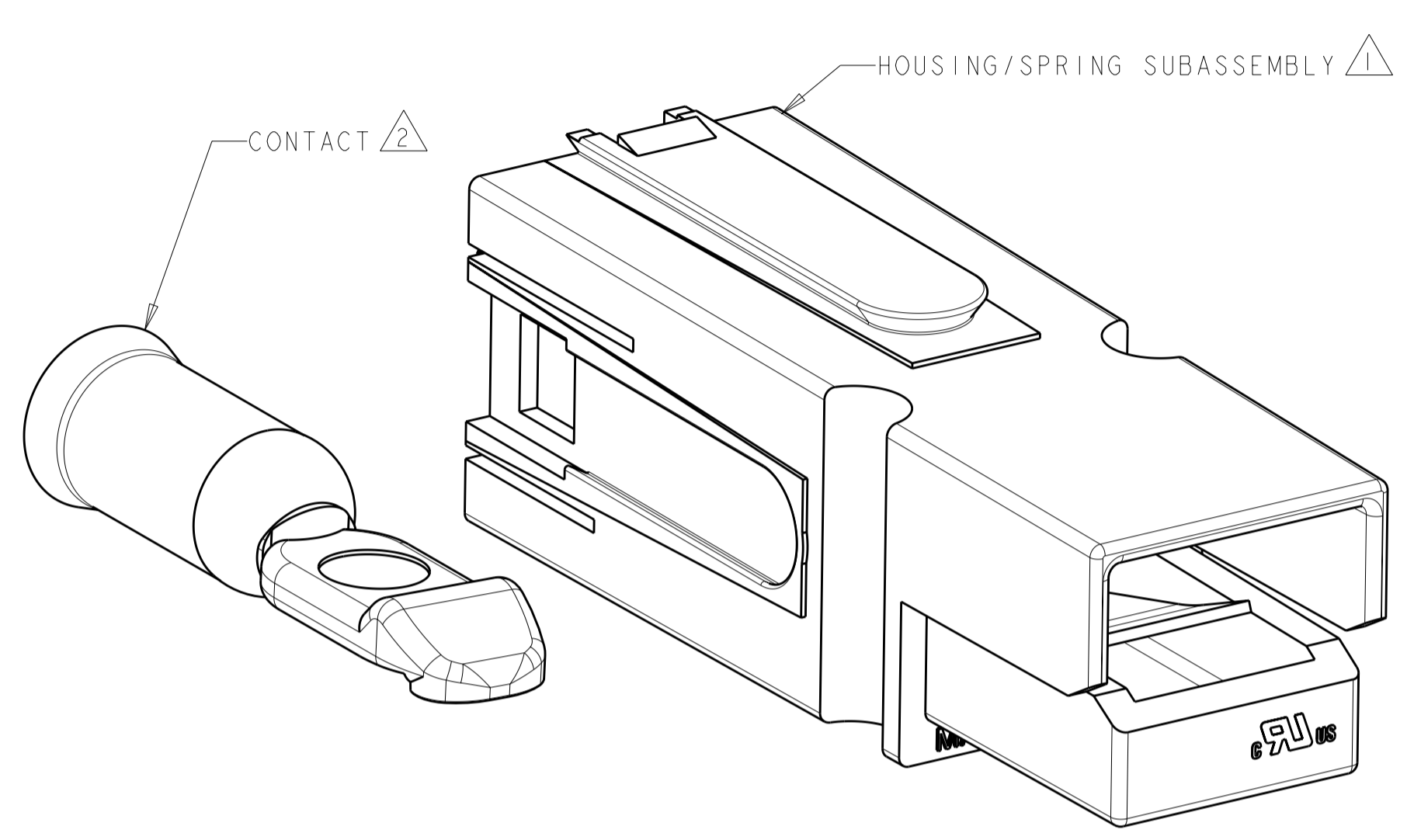


THIS DRAWING IS UNPUBLISHED. RELEASED FOR PUBLICATION 20
 © COPYRIGHT 20 BY - ALL RIGHTS RESERVED.

LOC		DIST		REVISIONS			
P	LTR	DESCRIPTION	DATE	DWN	APVD		
CM	00	A2	REVISED PER ECO-11-004917	12MAR2011	RK	HMR	



PART NUMBER 1445716-1 THRU 1445716-5
(WITHOUT LOCKING FEATURE)



PART NUMBER 1445716-6 THRU 1-1445716-0
(WITH LOCKING FEATURE)

- ① HOUSING MATERIAL: POLYCARBONATE UL94VO.
- ② CONTACT MATERIAL: COPPER
PLATING: SILVER

3. THIS PRODUCT HAS PASSED VERIFICATION AND AGENCY APPROVALS TESTING AND IS COMPONENT RECOGNIZED PER UL 1977 AND CSA 22.2. TE CONNECTIVITY PRODUCT QUALIFICATION TESTING IS NOT YET COMPLETED.



WITH LOCKING FEATURE	647877-1	1-1445715-0 (RED)	1-1445716-0
WITH LOCKING FEATURE	647877-1	1445715-9 (GREEN)	1445716-9
WITH LOCKING FEATURE	647877-1	1445715-8 (WHITE)	1445716-8
WITH LOCKING FEATURE	647877-1	1445715-7 (BLACK)	1445716-7
WITH LOCKING FEATURE	647877-1	1445715-6 (BLUE)	1445716-6
WITHOUT LOCKING FEATURE	647877-1	1445715-5 (RED)	1445716-5
WITHOUT LOCKING FEATURE	647877-1	1445715-4 (GREEN)	1445716-4
WITHOUT LOCKING FEATURE	647877-1	1445715-3 (WHITE)	1445716-3
WITHOUT LOCKING FEATURE	647877-1	1445715-2 (BLACK)	1445716-2
WITHOUT LOCKING FEATURE	647877-1	1445715-1 (BLUE)	1445716-1
DESCRIPTION	② CONTACT	① HOUSING/SPRING SUBASSEMBLY	PART NUMBER

THIS DRAWING IS A CONTROLLED DOCUMENT.		DWN	BH	19OCT01	TE Connectivity KIT, AMP POWER SERIES 75
DIMENSIONS:		CHK	KAK	19OCT01	
TOLERANCES UNLESS OTHERWISE SPECIFIED:		APVD	KAK	19OCT01	
mm		PRODUCT SPEC		NAME	
0 PLC ± 1 PLC ± 2 PLC ±0.13 3 PLC ± 4 PLC ± ANGLES ± FINISH		APPLICATION SPEC		SIZE	
MATERIAL		WEIGHT		A200779	CAGE CODE
		CUSTOMER DRAWING		C-1445716	DRAWING NO
		SCALE 4:1		RESTRICTED TO	REV A2