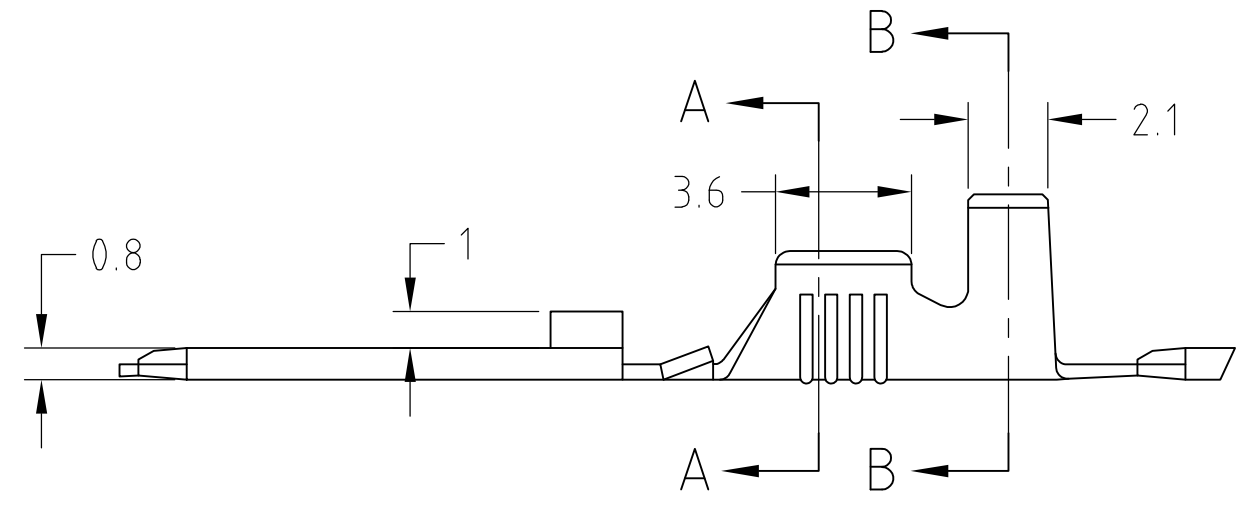
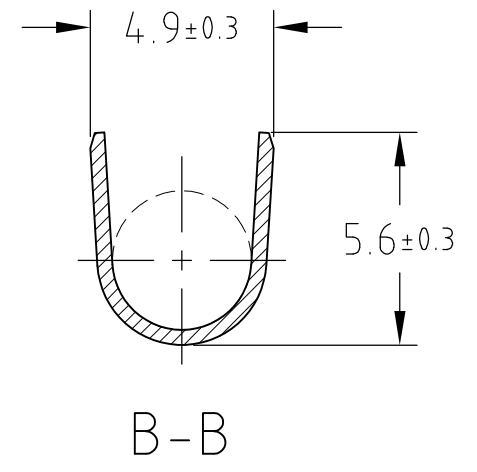
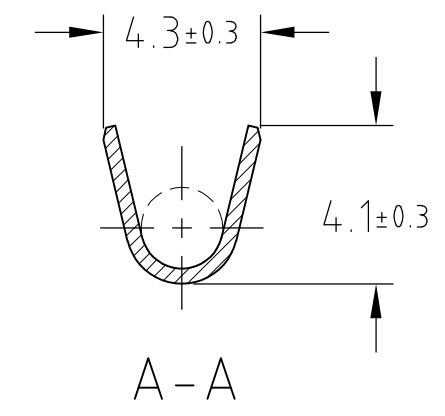
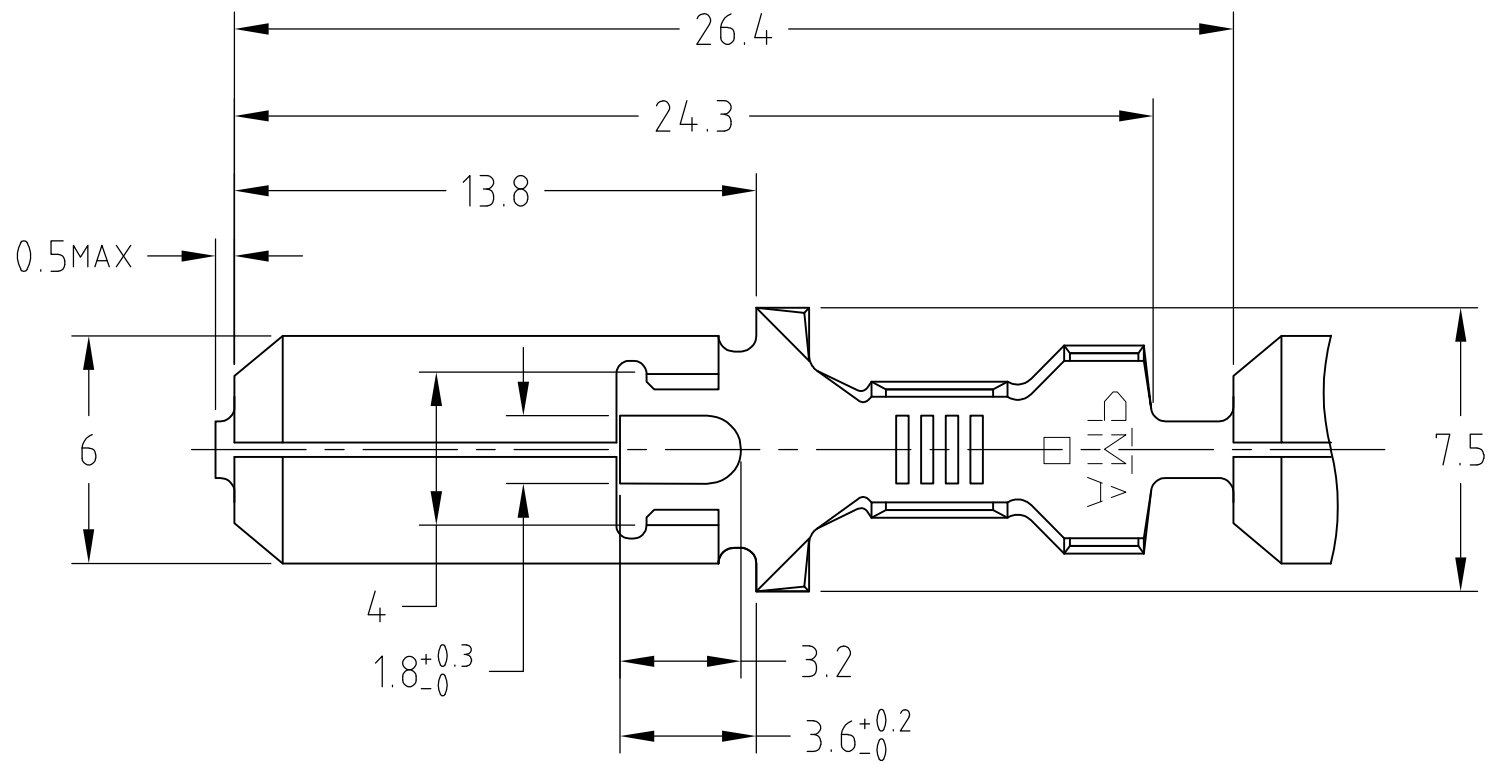


THIS DRAWING IS UNPUBLISHED. RELEASED FOR PUBLICATION  
 © COPYRIGHT BY TYCO ELECTRONICS CORPORATION. ALL RIGHTS RESERVED.

LOC	DIST	REVISIONS					
J	—	P	LTR	DESCRIPTION	DATE	DWN	APVD
			C2	REDRAWN WITH CHANGE ECR-16-015552	8NOV2016	DL	TD



— // —	黄銅 BRASS t=0.41	170341-5	⚠
— // —	錫めっき済 黄銅 PRE-TIN BRASS t=0.41	170341-4	⚠
— // —	錫めっき済 黄銅 PRE-TIN BRASS t=0.41	170341-3	
— // —	黄銅 BRASS t=0.41	170341-1	
仕上げ FINISH	材料 MATERIAL	型番 PART NUMBER	

注記：  
 ⚠ 中間紙を巻いたタイプ  
 NOTES:  
 ⚠ SEPARATE PAPER TYPE

THIS DRAWING IS A CONTROLLED DOCUMENT.		DWN T.SHINOHARA 16JUN1998	Tyco Electronics AMP K.K. Kawasaki, Japan							
DIMENSIONS: 単位: 耗 mm		CHK K.BETSUI 16JUN1998								
TOLERANCES UNLESS OTHERWISE SPECIFIED: 一般公差		APVD K.BETSUI 16JUN1998	NAME 名称							
<table border="1"> <tr><td>10 ≥</td><td>± 0.2</td></tr> <tr><td>30 ≥</td><td>&gt;10 ± 0.25</td></tr> <tr><td>100 ≥</td><td>&gt;30 ± 0.3</td></tr> </table>		10 ≥	± 0.2	30 ≥	>10 ± 0.25	100 ≥	>30 ± 0.3	PRODUCT SPEC 製品規格 108-5147,5153,5319		250 SERIES TAB WITHOUT LATCH
10 ≥	± 0.2									
30 ≥	>10 ± 0.25									
100 ≥	>30 ± 0.3									
ANGLES FINISH 仕上		APPLICATION SPEC 取付適用規格 114-5052								
MATERIAL 材料 SEE TABLE		WEIGHT	SIZE A3	CAGE CODE 00779						
		DRAWING NO 番号 G-170341		RESTRICTED TO —						
CUSTOMER DRAWING		SCALE 尺度 5:1		SHEET 1 OF 1						
				REV C2						