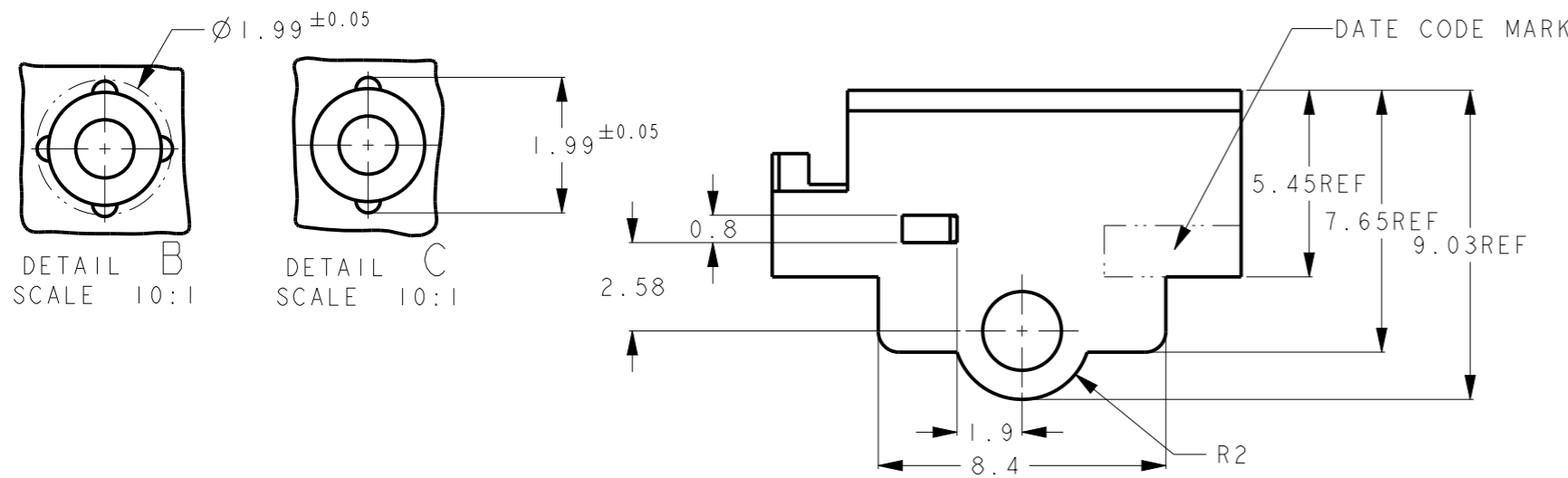
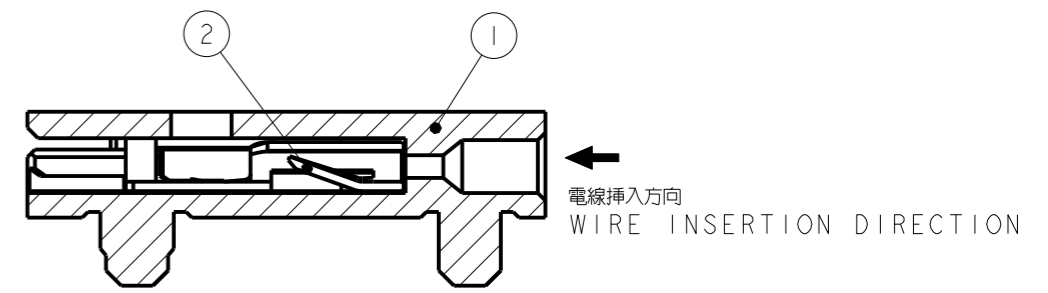
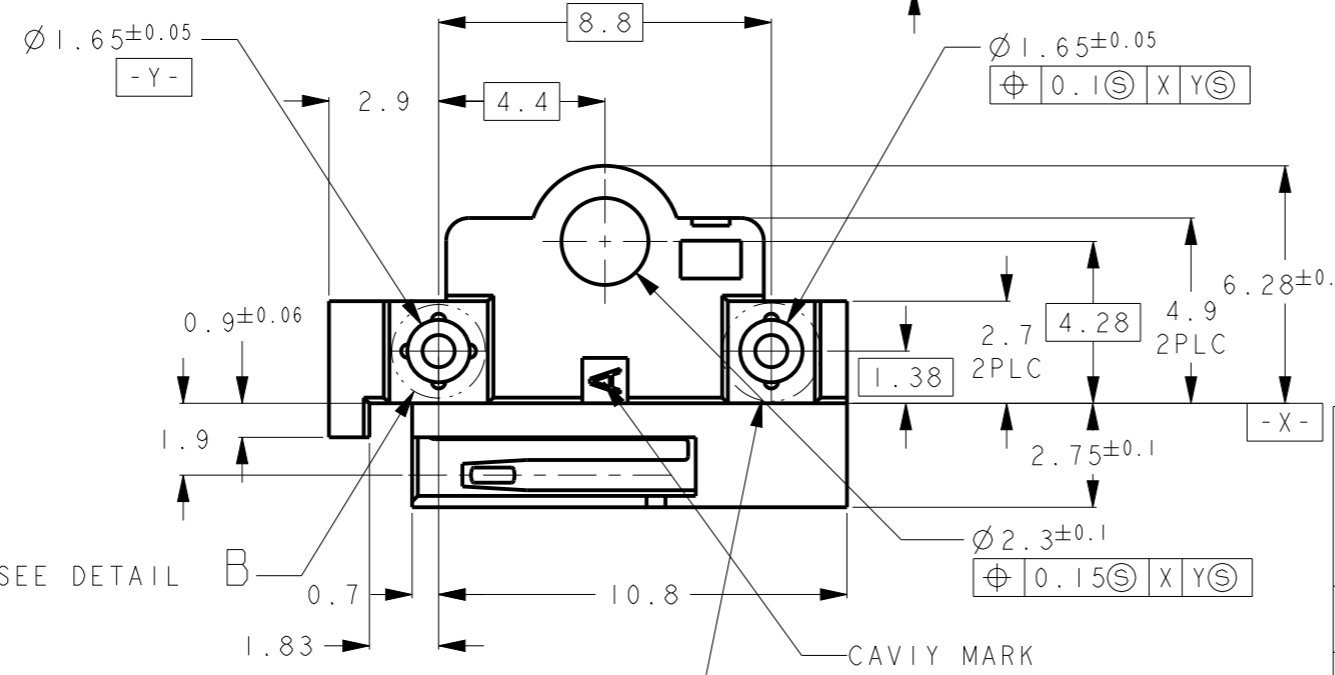
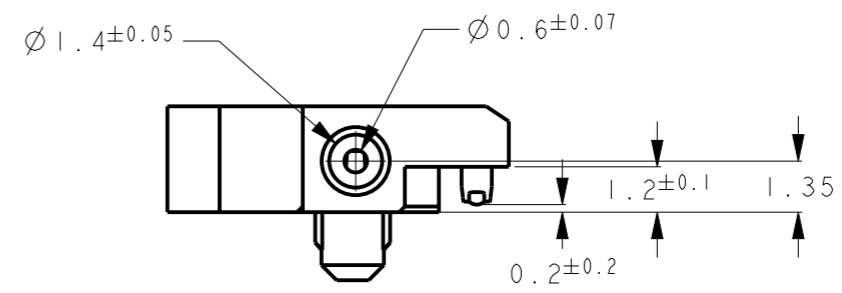
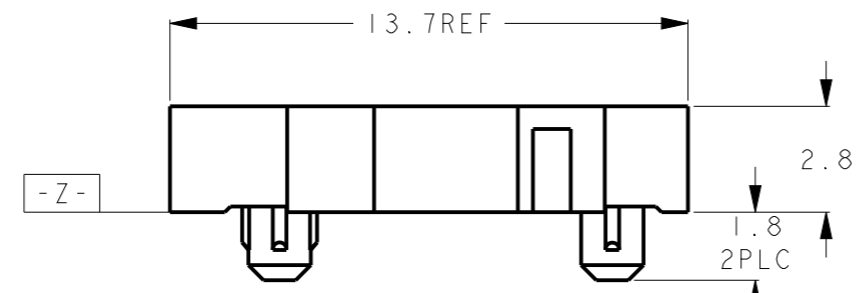
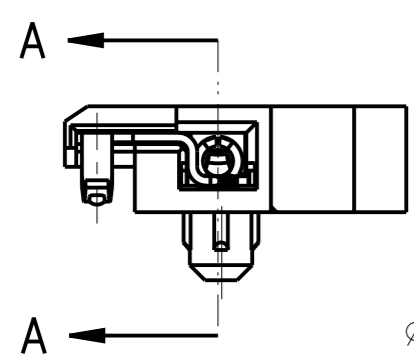
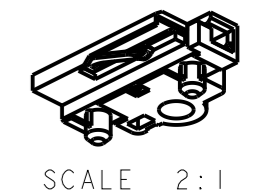


THIS DRAWING IS UNPUBLISHED. RELEASED FOR PUBLICATION 20  
 © COPYRIGHT 20 BY - ALL RIGHTS RESERVED.

| LOC | DIST | REVISIONS   |  |           |         |
|-----|------|-------------|--|-----------|---------|
| P   | LTR  | DESCRIPTION | DATE                                     | DWN       | APVD    |
| J   | -    | A           | RELEASED                                 | 25NOV2011 | T.N N.Y |
|     |      | B           | REVISED                                  | 20DEC2011 | T.N N.Y |
|     |      | C           | LAYOUT FOR PCB PANEL ARRAYS VIEW UPDATED | 09APR2013 | T.N N.Y |
|     |      | D           | REVISED(ECR-14-000923)                   | 22JAN2014 | T.N N.Y |



2174306-1:AS SHOWN  
本図



| MATERIAL & FINISH   |  | NAME             | ITEM |
|---|--|------------------|------|
| TABLE I<br>COPPER ALLOY<br>LED MODULE CONTACT AREA : GOLD PLATED<br>ALL OVER UNDER NICKEL PLATED<br>銅合金<br>LED モジュール接触部 : 金めっき<br>全面下地ニッケルめっき |  | CONTACT<br>コンタクト | ②    |
| LCP<br>液晶ポリマー   |  | HOUSING<br>ハウジング | ①    |

- 適用電線 : AWG24 単線 ( 錫めっき品 )  
被覆外径 :  $\phi 1.35\text{mm}$  MAX
- 適用ネジ : M2
- ねじ締めトルク値 :  $9\text{cN}\cdot\text{m}$  MAX
- 外観基準 : タイコエレクトロニクスジャパン合同会社社内基準に準拠する。
- 本コネクタはシャープ製ミニ銭形シリーズに使用可能である。

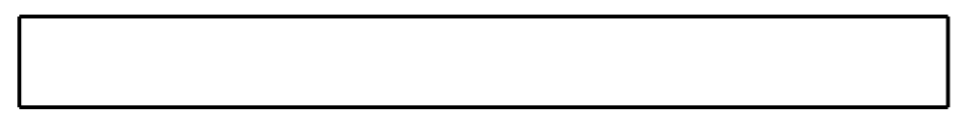
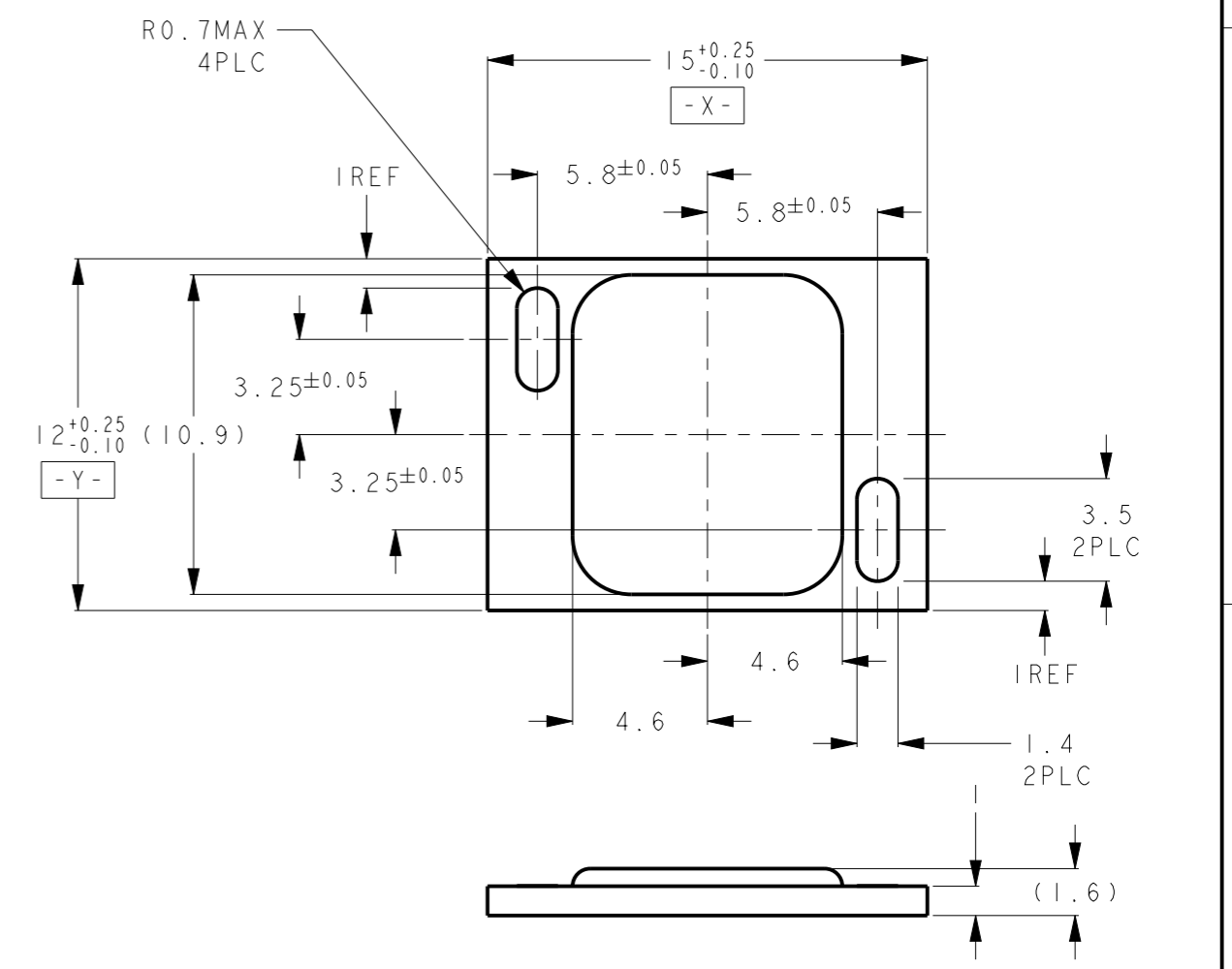
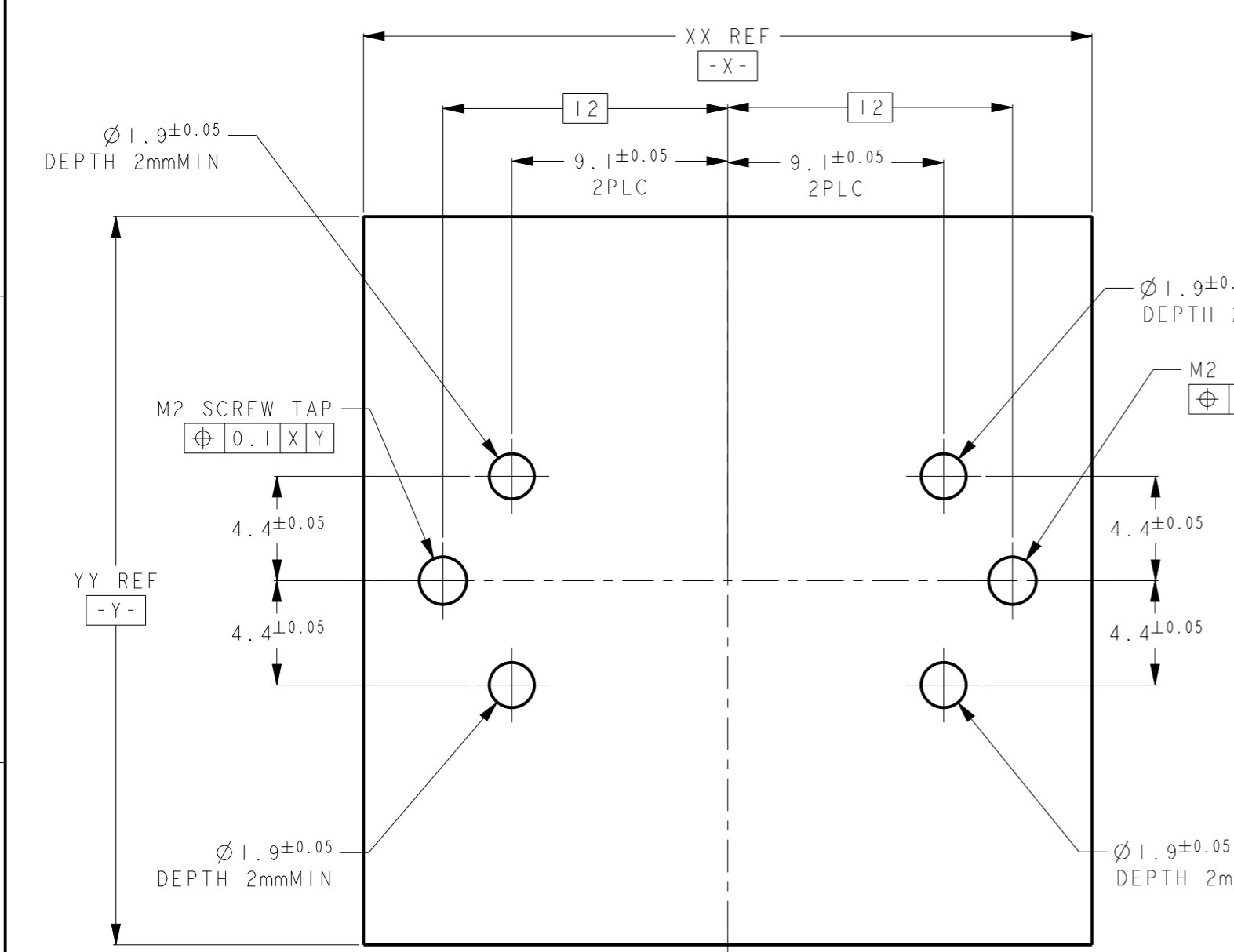
- APPLICABLE WIRES : AWG24 SOLID ( TIN COATING )  
INSULATION DIAMETER :  $\phi 1.35\text{mm}$  MAX
- APPLICABLE SCREW : M2
- SCREW TIGHTENING TORQUE :  $9\text{cN}\cdot\text{m}$  MAX
- VISUAL STANDARD : TO CONFORM TYCO ELECTRONICS JAPAN G.K.  
INTERNAL RULE.
- THIS CONNECTOR CAN BE USED FOR MINI ZENIGATA SERIES OF SHARP.

|  |  |
|--|--|
| THIS DRAWING IS A CONTROLLED DOCUMENT. |  |
| DIMENSIONS:                            | TOLERANCES UNLESS OTHERWISE SPECIFIED: |
| mm                                     | $\pm 0.15$                             |
|  | 0 PLC $\pm$                            |
|  | 1 PLC $\pm$                            |
|  | 2 PLC $\pm$                            |
|  | 3 PLC $\pm$                            |
|  | 4 PLC $\pm$                            |
|  | ANGLES $\pm 1^\circ$                   |
| MATERIAL                               | FINISH                                 |
| TABLE I                                | TABLE I                                |

|                  |             |                                |               |
|------------------|-------------|--------------------------------|---------------|
| DWN              | 25NOV2011   | TE Connectivity                |               |
| CHK              | T. NAGASAKI |                                |               |
| CHK              | M. HARASAWA |                                |               |
| APVD             | N. YAMASAKI |                                |               |
| PRODUCT SPEC     | 108-78860   | NAME                           |               |
| APPLICATION SPEC | 114-5490    | LUMAWISE LED HOLDER, TYPE SMIZ |               |
| WEIGHT           | 0.357g      | SIZE                           | A300779       |
| Customer Drawing | SCALE 2:1   | CAGE CODE                      | C=2174306     |
|                  |             | DRAWING NO                     | RESTRICTED TO |
|                  |             |                                | -             |
|                  |             | SHEET                          | 1 OF 3        |
|                  |             | REV                            | D             |

THIS DRAWING IS UNPUBLISHED. RELEASED FOR PUBLICATION 20  
 © COPYRIGHT 20 BY - ALL RIGHTS RESERVED.

| LOC | DIST | REVISIONS   |      |     |      |
|-----|------|-------------|------|-----|------|
| P   | LTR  | DESCRIPTION | DATE | DWN | APVD |
| J   | -    | SEE SHEET 1 | -    | -   | -    |



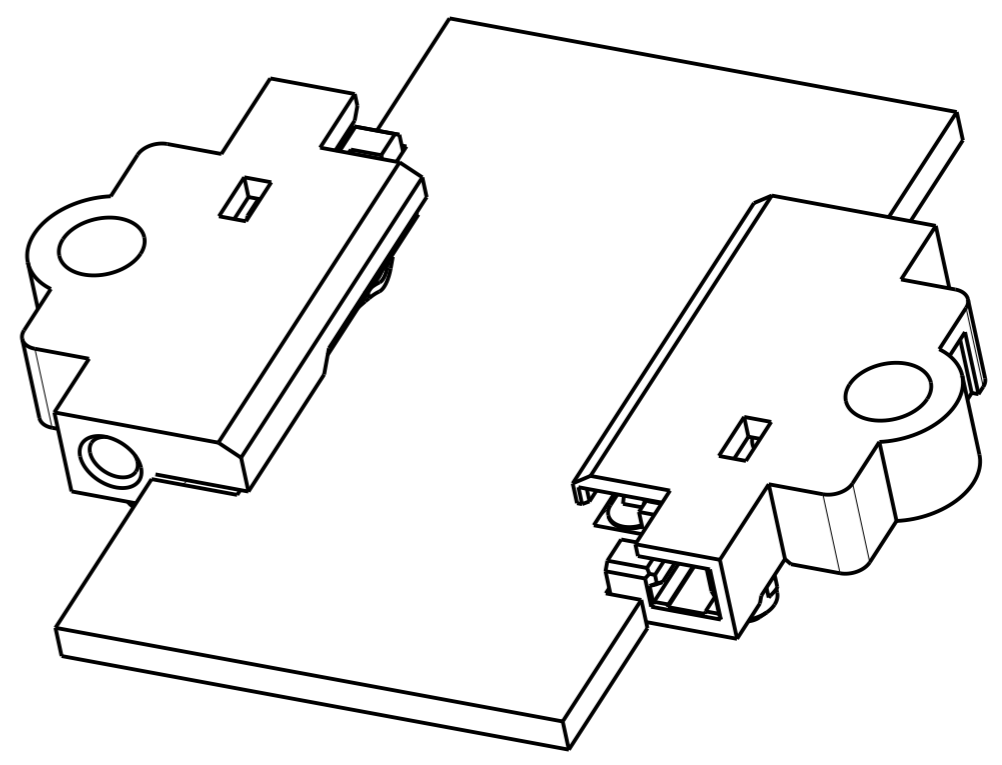
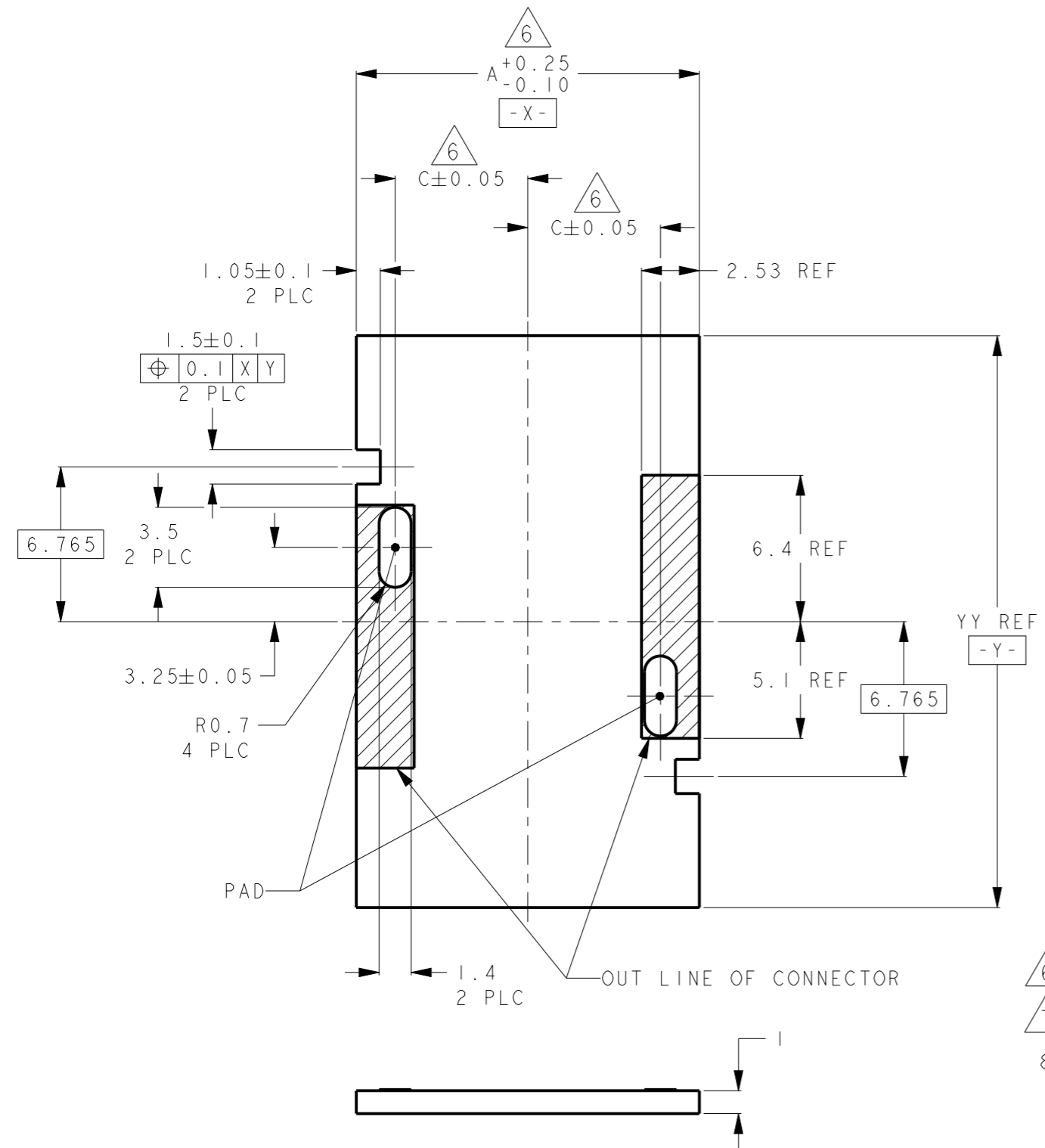
HEAT SINK 参考寸法(ミニ銭形)  
 HEAT SINK REFERENCE DIMENSION FOR MINI ZENIGATA

LED PACKAGE 参考寸法(ミニ銭形)  
 LED PACKAGE REFERENCE DIMENSION FOR MINI ZENIGATA

|   |  |                  |   |  |
|---|--|------------------|---|--|
| THIS DRAWING IS A CONTROLLED DOCUMENT.  |  | DWN              | <b>TE Connectivity</b>                  |  |
| DIMENSIONS: mm  |  | CHK              |   |  |
| TOLERANCES UNLESS OTHERWISE SPECIFIED: $\pm 0.1$<br>0 PLC $\pm$<br>1 PLC $\pm$<br>2 PLC $\pm$<br>3 PLC $\pm$<br>4 PLC $\pm$<br>ANGLES $\pm 1^\circ$ |  | APVD             | NAME<br>LUMAWISE LED HOLDER, TYPE SMIZ  |  |
| MATERIAL  |  | PRODUCT SPEC     | SIZE CAGE CODE DRAWING NO RESTRICTED TO |  |
| FINISH  |  | APPLICATION SPEC | A300779 C-2174306 -                     |  |
|   |  | WEIGHT           | SCALE 2:1 SHEET 2 OF 3 REV D            |  |
|   |  | Customer Drawing |   |  |

THIS DRAWING IS UNPUBLISHED. RELEASED FOR PUBLICATION 20  
 © COPYRIGHT 20 BY - ALL RIGHTS RESERVED.

| LOC | DIST | REVISIONS   |      |     |      |
|-----|------|-------------|------|-----|------|
| P   | LTR  | DESCRIPTION | DATE | DWN | APVD |
| J   | -    | SEE SHEET 1 | -    | -   | -    |



- 6 SEE TABLE 2
- 7 THIS DIMENSION CAN BE DECIDED BY CUSTOMER
- 8 ALTHOUGH THE PAD LOCATIONS ARE SHOWN DIRECTLY OPPOSITE EACH OTHER, THE CONTACT PADS CAN BE OFFSET ALONG THE BOARD EDGE AS DICTATED BY DESIGN NEEDS.

REFERENCE LAYOUT FOR PCB PANEL ARRAYS

| 6 TABLE 2   |             | 7 | DIMENSION |
|-------------|-------------|---|-----------|
| $(A-3.4)/2$ | $(A+3.2)/2$ | A | NO.       |
| C           | B           |   |           |

|   |  |                  |                                |               |
|---|--|------------------|--------------------------------|---------------|
| THIS DRAWING IS A CONTROLLED DOCUMENT.      |  | DWN              | <b>STE</b> TE Connectivity     |               |
| DIMENSIONS: mm                              |  | CHK              |                                |               |
| TOLERANCES UNLESS OTHERWISE SPECIFIED: ±0.1 |  | APVD             | NAME                           |               |
| 0 PLC ±                                     |  | PRODUCT SPEC     | LUMAWISE LED HOLDER, TYPE SMIZ |               |
| 1 PLC ±                                     |  | APPLICATION SPEC | SIZE                           | RESTRICTED TO |
| 2 PLC ±                                     |  | WEIGHT           | A300779                        | -             |
| 3 PLC ±                                     |  | Customer Drawing | CAGE CODE                      | DRAWING NO    |
| 4 PLC ±                                     |  | SCALE            | G-2174306                      | REV           |
| ANGLES ±1°                                  |  | 4:1              | 3                              | D             |
| FINISH                                      |  | SHEET            | 3                              | OF            |
| MATERIAL                                    |  | OF               | 3                              |               |