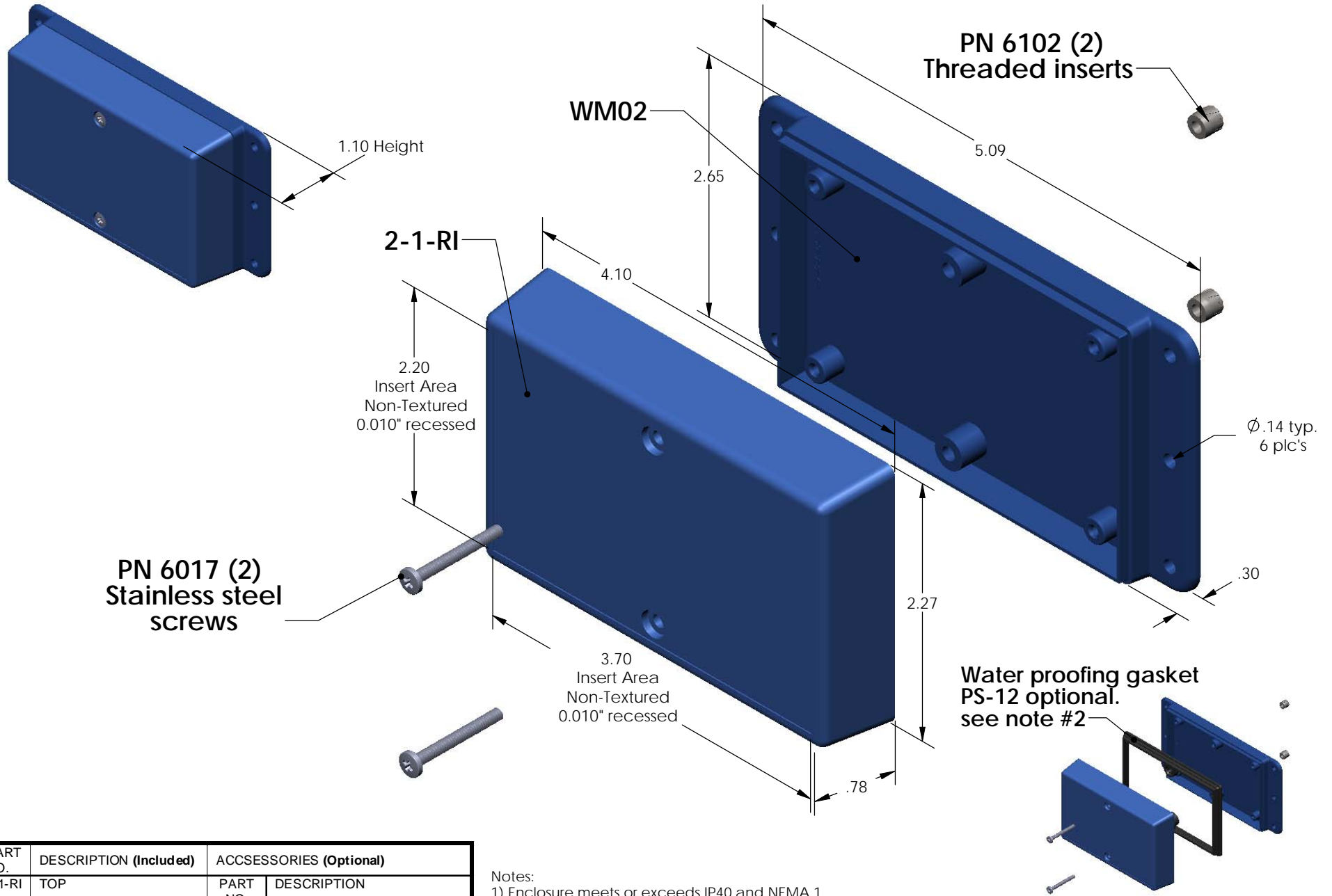


SERPAC WM021-RI (exploded isometric)

Electronic Enclosures

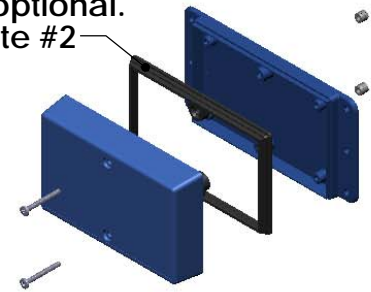


PART NO.	DESCRIPTION (Included)	ACCESSORIES (Optional)	
2-1-RI	TOP	PART NO.	DESCRIPTION
WM02	BOTTOM	PS-12	Perimeter Seal
6017	4-40 SCREW (2)		
6102	THREADED INSERTS (2)		

Notes:

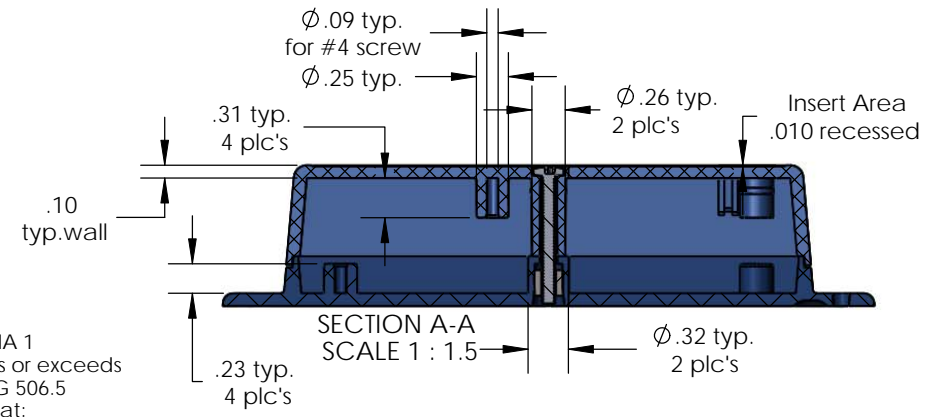
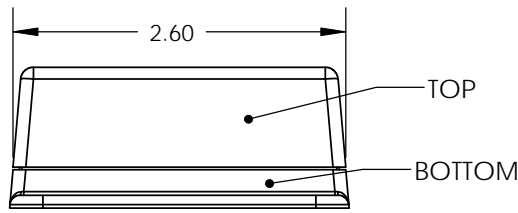
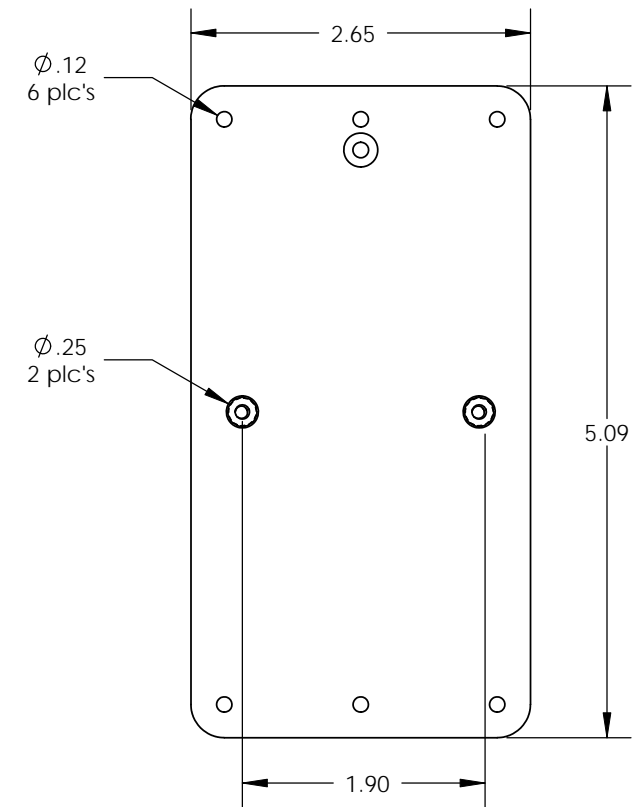
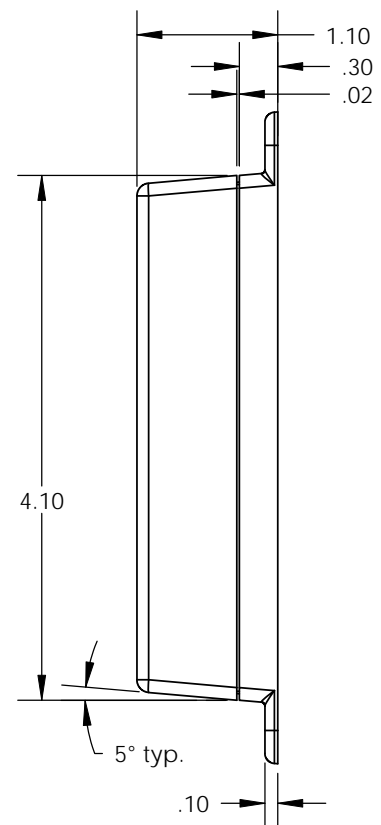
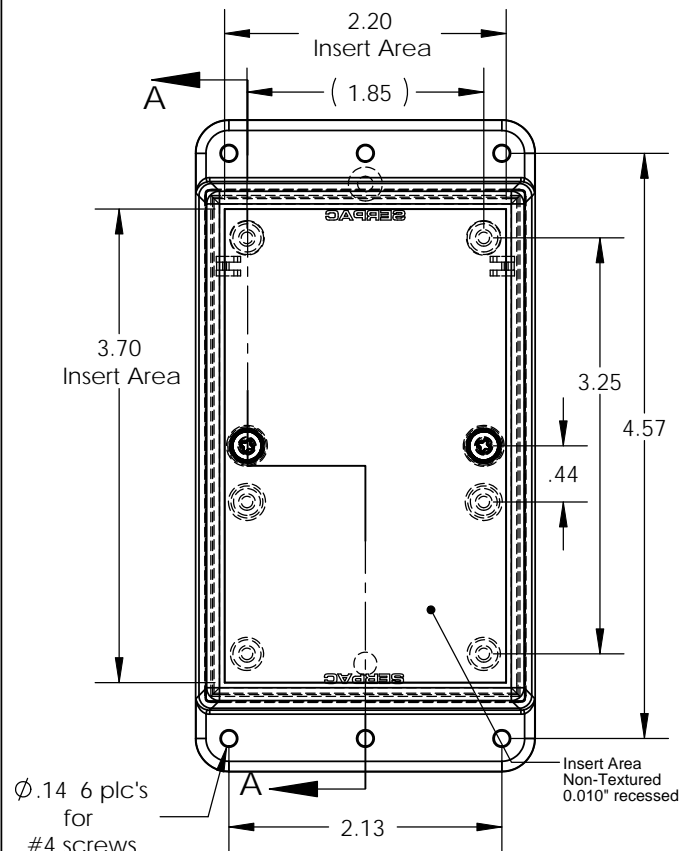
- 1) Enclosure meets or exceeds IP40 and NEMA 1
- 2) When used with PS-12 the enclosure meets or exceeds IP 67 and NEMA 4X, 12 and 13 MIL-STD-810G 506.5
- 3) Circuit Board drawings can be download at:
http://www.serpac.com/Products/Accessories/CircuitBoard/drawings/CB_WM021.pdf
- 4) All components are RoHS Compliant.

Water proofing gasket PS-12 optional. see note #2



SERPAC WM021-RI (user print)

Electronic Enclosures



PART NO.	DESCRIPTION (Included)	ACCESSORIES (Optional)	
2-1-RI	TOP	PART NO.	DESCRIPTION
WM02	BOTTOM	PS-12	Perimeter Seal
6017	4-40 SCREW (2)		
6102	THREADED INSERTS (2)		

- Notes:
- 1) Enclosure meets or exceeds IP40 and NEMA 1
 - 2) When used with PS-12 the enclosure meets or exceeds IP 67 and NEMA 4X, 12 and 13 MIL-STD-810G 506.5
 - 3) Circuit Board drawings can be download at: http://www.serpac.com/Products/Accessories/CircuitBoard/drawings/CB_WM021.pdf
 - 4) All components are RoHS Compliant.

ALL DIMENSIONS ARE ± .010" 5/28/09 (2 of 2)
 619 Commercial Ave. Covina, CA 91723
 Ph. (626) 331-0517 Fx. (626) 331-8584 www.serpac.com